

Overview

The F5D series is a metallized polyester (MKT) film capacitor with an integrated ceramic capacitor, encapsulated in a thermosetting, resin-filled, plastic box with tinned wire leads. Box material is solvent-resistant and flame-retardant, meeting the requirements of UL 94 V-0.

Applications

For worldwide use as EMI/RFI suppressors for automotive motors and other suppression applications such as engine blower fans, central locking systems, heating/air-conditioning blowers, electric sun roofs, electric window regulators, fuel/oil pumps, electric windshield wipers, and electrically operated seats. This through-hole EMI/RFI suppression element is mainly used for automotive applications without a printed circuit board (e.g. motor suppression) or mixed through-hole and surface mount printed circuit boards.

Benefits

- Low inductive MKT capacitors in parallel construction with a ceramic capacitor in a single case that provides superior suppression results
- Approvals: AEC-Q200, ISO7637
- Rated Voltage: 63 – 100 VDC
- Capacitance Range: 0.1 – 2.2 μ F
- Capacitance Tolerance: \pm 10%, \pm 20%
- Climatic Category: 55/125/56 IEC 60068-1
- Tape & Reel packaging in accordance with IEC 60286-2
- RoHS compliance and lead-free terminations
- Operating temperature range: -55°C to +125°C



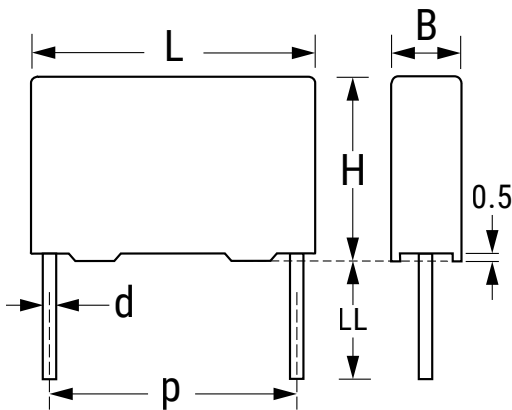
Part Number System

F5D	D	C	3100	DQ	W	5	M
Series	Rated Voltage (VDC)	Lead Spacing (mm)	Capacitance Code (pF)	Lead and Packaging Code	Ceramic Capacitor Value	Size Code	Capacitance Tolerance
Film Capacitor/ Ceramic Capacitor Unit	D = 63 E = 100	C = 5 mm F = 10 mm	Digits 2 – 4 indicate the first three digits of the capacitance value. The first digit indicates the number of zeros to be added.	See Ordering Options Table	See Ceramic Capacitor Table	See Dimension Table	K = \pm 10% M = \pm 20%

Ordering Options Table

Lead Spacing Nominal (mm)	Type of Leads and Packaging	Lead Length (mm)	Lead and Packaging Code
5	Standard Lead and Packaging Options		
	Bulk (Bag) – Short Leads	4 +2/-0	AA
	Ammo Pack	H ₀ = 18.5 ±0.5	DQ
	Other Lead and Packaging Options		
	Bulk (Bag) – Long Leads	17 +1/-2	Z3
	Tape & Reel (Standard Reel)	H ₀ = 18.5 ±0.5	CK
10	Standard Lead and Packaging Options		
	Bulk (Bag) – Short Leads	4 +2/-0	AA
	Ammo Pack	H ₀ = 18.5 ±0.5	DQ
	Other Lead and Packaging Options		
	Bulk (Bag) – Long Leads	17 +1/-2	Z3
	Tape & Reel (Large Reel)	H ₀ = 18.5 ±0.5	CK

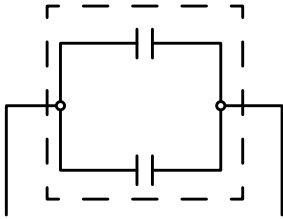
Dimensions – Millimeters



Rated Capacitance μF	Size Code	p		B		H		L		d	
		Nominal	Tolerance	Nominal	Tolerance	Nominal	Tolerance	Nominal	Tolerance	Nominal	Tolerance
0.1 – 0.47	5	5.0	±0.4	4.6	Maximum	9.6	Max	7.4	Maximum	0.6	±0.05
0.56 – 1.5	6	5.0	±0.4	5.1	Maximum	10.1	Max	7.5	Maximum	0.6	±0.05
1.8 – 2.2	7	5.0	±0.4	6.1	Maximum	11.1	Max	7.5	Maximum	0.6	±0.05
0.1 – 1.0	2	10.0	±0.4	5.2	Maximum	11.1	Max	13.4	Maximum	0.7	±0.05
1.2 – 1.5	3	10.0	±0.4	6.2	Maximum	12.1	Max	13.4	Maximum	0.7	±0.05

Note: See the Ordering Options Table for lead length (LL) options.

Circuit Diagram



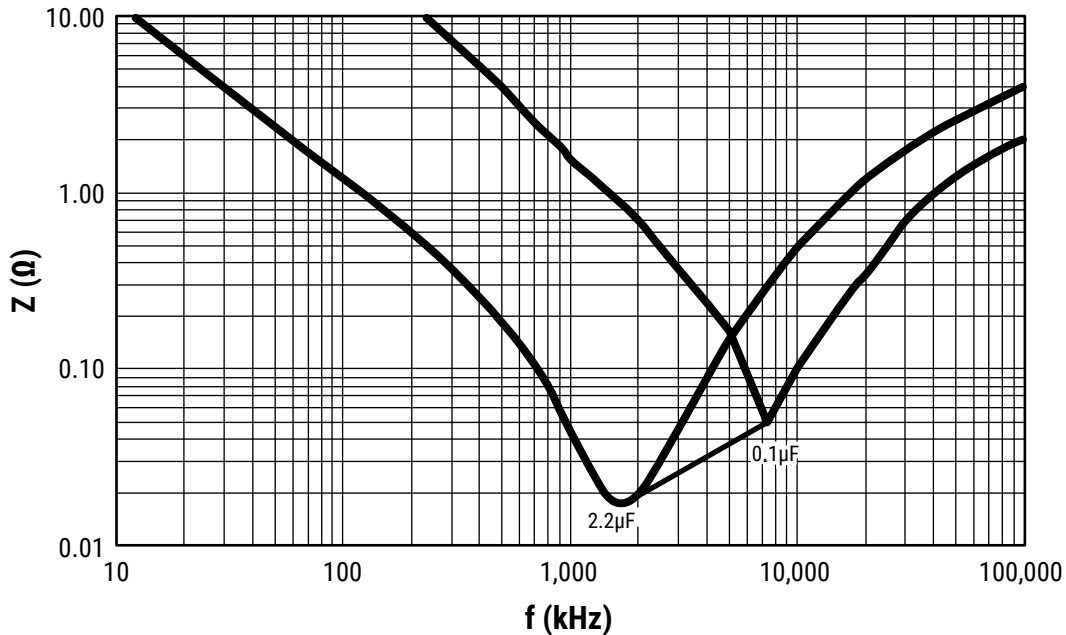
Ceramic Capacitor Value

Ceramic Capacitor Value	Digit 12
10 pF	U
22 pF	V
47 pF	W
68 pF	X
100 pF	E
220 pF	G
470 pF	A
680 pF	H
1 nF	C
2.2 nF	F
4.7 nF	B
6.8 nF	N
10 nF	D
47 nF	R
68 nF	T
100 nF	S

Performance Characteristics

Rated Voltage	63 – 100 VDC (For temperature over 100°C a decreasing factor of 2% per degree has to be applied on the rated voltage V_R)
Capacitance Range	0.1 – 2.2 μ F (See Ceramic Capacitor Value Table)
Capacitance Tolerance	$\pm 10\%$, $\pm 20\%$
Temperature Range	-55°C to $+125^\circ\text{C}$
Climatic Category	55/125/56, IEC 60068-1
Leakage Current	$\leq 10 \mu\text{A}$ at V_R
Approvals	AEC-Q200, ISO 7637
Dissipation Factor	0.025 (1 kHz at $25^\circ\text{C} \pm 5^\circ\text{C}$)
Test Voltage Between Terminals	$1.6 \times V_R$
Insulation Resistance	100 M Ω at 50 V

Impedance Graphs



Environmental Test Data

Test	Conditions	Performance	
Damp Heat Steady State	+40°C ±2°C and 93% ±2% R.H., 56 days	Δ C/C	≤ 5%
		DF Change	≤ 50 x 10 ⁻⁴ at 1 kHz
		Leakage Current at V _R	≤ 100 μA
Endurance	+125°C ±2°C/100°C ±2°C, 0.5 x V _R /1.0 x V _R , 1,000 hours	Δ C/C	≤ 10%
		DF Change	≤ 50 x 10 ⁻⁴ at 1 kHz
		Leakage Current at V _R	≤ 100 μA
Resistance to Soldering Heat	+260°C ±5°C, 10±1 second	Δ C/C	≤ 3%
		DF Change	≤ 30 x 10 ⁻⁴ at 1 kHz
		Leakage Current at V _R	≤ 50 μA
Long-Term Stability (After 2 Years)	-40°C to +80°C, ≤ 70% humidity	Δ C/C	≤ 3%
		DF Change	≤ 20 x 10 ⁻⁴ at 1 kHz
		Leakage Current at V _R	≤ 50 μA
Reliability Failure Criteria	Reference MIL HDB 217 +40°C ±2°C, 0.5 x V _R , ≤ 5 FIT	Δ C/C	> 10%
		DF Change	≤ 20 x 10 ⁻⁴ at 1 kHz
		Leakage Current at V _R	≤ 200 μA

Environmental Compliance

All KEMET EMI capacitors are RoHS compliant.



Table 1 – Ratings & Part Number Reference

Capacitance Value (µF)	VDC	Max Dimensions in mm			Lead Spacing (p)	Ceramic Cap (µF)	New KEMET Part Number	Legacy Part Number
		B	H	L				
0.10	63	4.6	9.6	7.4	5.0	0.00001	5DDC3100(1)U5(2)	F5DDC3100(1)U5(2)
0.10	63	4.6	9.6	7.4	5.0	0.000022	5DDC3100(1)V5(2)	F5DDC3100(1)V5(2)
0.10	63	4.6	9.6	7.4	5.0	0.000047	5DDC3100(1)W5(2)	F5DDC3100(1)W5(2)
0.10	63	4.6	9.6	7.4	5.0	0.000068	5DDC3100(1)X5(2)	F5DDC3100(1)X5(2)
0.10	63	4.6	9.6	7.4	5.0	0.0001	5DDC3100(1)E5(2)	F5DDC3100(1)E5(2)
0.10	63	4.6	9.6	7.4	5.0	0.00022	5DDC3100(1)G5(2)	F5DDC3100(1)G5(2)
0.10	63	4.6	9.6	7.4	5.0	0.00047	5DDC3100(1)A5(2)	F5DDC3100(1)A5(2)
0.10	63	4.6	9.6	7.4	5.0	0.00068	5DDC3100(1)H5(2)	F5DDC3100(1)H5(2)
0.10	63	4.6	9.6	7.4	5.0	0.001	5DDC3100(1)C5(2)	F5DDC3100(1)C5(2)
0.10	63	4.6	9.6	7.4	5.0	0.0022	5DDC3100(1)F5(2)	F5DDC3100(1)F5(2)
0.10	63	4.6	9.6	7.4	5.0	0.0047	5DDC3100(1)B5(2)	F5DDC3100(1)B5(2)
0.10	63	4.6	9.6	7.4	5.0	0.0068	5DDC3100(1)N5(2)	F5DDC3100(1)N5(2)
0.10	63	4.6	9.6	7.4	5.0	0.01	5DDC3100(1)D5(2)	F5DDC3100(1)D5(2)
0.10	63	4.6	9.6	7.4	5.0	0.047	5DDC3100(1)R5(2)	F5DDC3100(1)R5(2)
0.10	63	4.6	9.6	7.4	5.0	0.068	5DDC3100(1)T5(2)	F5DDC3100(1)T5(2)
0.10	63	4.6	9.6	7.4	5.0	0.1	5DDC3100(1)S5(2)	F5DDC3100(1)S5(2)
0.22	63	4.6	9.6	7.4	5.0	0.00001	5DDC3220(1)U5(2)	F5DDC3220(1)U5(2)
0.22	63	4.6	9.6	7.4	5.0	0.000022	5DDC3220(1)V5(2)	F5DDC3220(1)V5(2)
0.22	63	4.6	9.6	7.4	5.0	0.000047	5DDC3220(1)W5(2)	F5DDC3220(1)W5(2)
0.22	63	4.6	9.6	7.4	5.0	0.000068	5DDC3220(1)X5(2)	F5DDC3220(1)X5(2)
0.22	63	4.6	9.6	7.4	5.0	0.0001	5DDC3220(1)E5(2)	F5DDC3220(1)E5(2)
0.22	63	4.6	9.6	7.4	5.0	0.00022	5DDC3220(1)G5(2)	F5DDC3220(1)G5(2)
0.22	63	4.6	9.6	7.4	5.0	0.00047	5DDC3220(1)A5(2)	F5DDC3220(1)A5(2)
0.22	63	4.6	9.6	7.4	5.0	0.00068	5DDC3220(1)H5(2)	F5DDC3220(1)H5(2)
0.22	63	4.6	9.6	7.4	5.0	0.001	5DDC3220(1)C5(2)	F5DDC3220(1)C5(2)
0.22	63	4.6	9.6	7.4	5.0	0.0022	5DDC3220(1)F5(2)	F5DDC3220(1)F5(2)
0.22	63	4.6	9.6	7.4	5.0	0.0047	5DDC3220(1)B5(2)	F5DDC3220(1)B5(2)
0.22	63	4.6	9.6	7.4	5.0	0.0068	5DDC3220(1)N5(2)	F5DDC3220(1)N5(2)
0.22	63	4.6	9.6	7.4	5.0	0.01	5DDC3220(1)D5(2)	F5DDC3220(1)D5(2)
0.22	63	4.6	9.6	7.4	5.0	0.047	5DDC3220(1)R5(2)	F5DDC3220(1)R5(2)
0.22	63	4.6	9.6	7.4	5.0	0.068	5DDC3220(1)T5(2)	F5DDC3220(1)T5(2)
0.22	63	4.6	9.6	7.4	5.0	0.1	5DDC3220(1)S5(2)	F5DDC3220(1)S5(2)
0.33	63	4.6	9.6	7.4	5.0	0.00001	5DDC3330(1)U5(2)	F5DDC3330(1)U5(2)
0.33	63	4.6	9.6	7.4	5.0	0.000022	5DDC3330(1)V5(2)	F5DDC3330(1)V5(2)
0.33	63	4.6	9.6	7.4	5.0	0.000047	5DDC3330(1)W5(2)	F5DDC3330(1)W5(2)
0.33	63	4.6	9.6	7.4	5.0	0.000068	5DDC3330(1)X5(2)	F5DDC3330(1)X5(2)
0.33	63	4.6	9.6	7.4	5.0	0.0001	5DDC3330(1)E5(2)	F5DDC3330(1)E5(2)
0.33	63	4.6	9.6	7.4	5.0	0.00022	5DDC3330(1)G5(2)	F5DDC3330(1)G5(2)
0.33	63	4.6	9.6	7.4	5.0	0.00047	5DDC3330(1)A5(2)	F5DDC3330(1)A5(2)
Capacitance Value (µF)	VDC	B (mm)	H (mm)	L (mm)	Lead Spacing (p)	Ceramic Cap (µF)	New KEMET Part Number	Legacy Part Number

(1) Insert lead and packaging code. See Ordering Options Table for available options.

(2) K = 10%, M = 20%.

Table 1 – Ratings & Part Number Reference cont'd

Capacitance Value (µF)	VDC	Max Dimensions in mm			Lead Spacing (p)	Ceramic Cap (µF)	New KEMET Part Number	Legacy Part Number
		B	H	L				
0.33	63	4.6	9.6	7.4	5.0	0.00068	5DDC3330(1)H5(2)	F5DDC3330(1)H5(2)
0.33	63	4.6	9.6	7.4	5.0	0.001	5DDC3330(1)C5(2)	F5DDC3330(1)C5(2)
0.33	63	4.6	9.6	7.4	5.0	0.0022	5DDC3330(1)F5(2)	F5DDC3330(1)F5(2)
0.33	63	4.6	9.6	7.4	5.0	0.0047	5DDC3330(1)B5(2)	F5DDC3330(1)B5(2)
0.33	63	4.6	9.6	7.4	5.0	0.0068	5DDC3330(1)N5(2)	F5DDC3330(1)N5(2)
0.33	63	4.6	9.6	7.4	5.0	0.01	5DDC3330(1)D5(2)	F5DDC3330(1)D5(2)
0.33	63	4.6	9.6	7.4	5.0	0.047	5DDC3330(1)R5(2)	F5DDC3330(1)R5(2)
0.33	63	4.6	9.6	7.4	5.0	0.068	5DDC3330(1)T5(2)	F5DDC3330(1)T5(2)
0.33	63	4.6	9.6	7.4	5.0	0.1	5DDC3330(1)S5(2)	F5DDC3330(1)S5(2)
0.47	63	4.6	9.6	7.4	5.0	0.00001	5DDC3470(1)U5(2)	F5DDC3470(1)U5(2)
0.47	63	4.6	9.6	7.4	5.0	0.000022	5DDC3470(1)V5(2)	F5DDC3470(1)V5(2)
0.47	63	4.6	9.6	7.4	5.0	0.000047	5DDC3470(1)W5(2)	F5DDC3470(1)W5(2)
0.47	63	4.6	9.6	7.4	5.0	0.000068	5DDC3470(1)X5(2)	F5DDC3470(1)X5(2)
0.47	63	4.6	9.6	7.4	5.0	0.0001	5DDC3470(1)E5(2)	F5DDC3470(1)E5(2)
0.47	63	4.6	9.6	7.4	5.0	0.00022	5DDC3470(1)G5(2)	F5DDC3470(1)G5(2)
0.47	63	4.6	9.6	7.4	5.0	0.00047	5DDC3470(1)A5(2)	F5DDC3470(1)A5(2)
0.47	63	4.6	9.6	7.4	5.0	0.00068	5DDC3470(1)H5(2)	F5DDC3470(1)H5(2)
0.47	63	4.6	9.6	7.4	5.0	0.001	5DDC3470(1)C5(2)	F5DDC3470(1)C5(2)
0.47	63	4.6	9.6	7.4	5.0	0.0022	5DDC3470(1)F5(2)	F5DDC3470(1)F5(2)
0.47	63	4.6	9.6	7.4	5.0	0.0047	5DDC3470(1)B5(2)	F5DDC3470(1)B5(2)
0.47	63	4.6	9.6	7.4	5.0	0.0068	5DDC3470(1)N5(2)	F5DDC3470(1)N5(2)
0.47	63	4.6	9.6	7.4	5.0	0.01	5DDC3470(1)D5(2)	F5DDC3470(1)D5(2)
0.47	63	4.6	9.6	7.4	5.0	0.047	5DDC3470(1)R5(2)	F5DDC3470(1)R5(2)
0.47	63	4.6	9.6	7.4	5.0	0.068	5DDC3470(1)T5(2)	F5DDC3470(1)T5(2)
0.47	63	4.6	9.6	7.4	5.0	0.1	5DDC3470(1)S5(2)	F5DDC3470(1)S5(2)
0.56	63	5.1	10.1	7.5	5.0	0.00001	5DDC3560(1)U6(2)	F5DDC3560(1)U6(2)
0.56	63	5.1	10.1	7.5	5.0	0.000022	5DDC3560(1)V6(2)	F5DDC3560(1)V6(2)
0.56	63	5.1	10.1	7.5	5.0	0.000047	5DDC3560(1)W6(2)	F5DDC3560(1)W6(2)
0.56	63	5.1	10.1	7.5	5.0	0.000068	5DDC3560(1)X6(2)	F5DDC3560(1)X6(2)
0.56	63	5.1	10.1	7.5	5.0	0.0001	5DDC3560(1)E6(2)	F5DDC3560(1)E6(2)
0.56	63	5.1	10.1	7.5	5.0	0.00022	5DDC3560(1)G6(2)	F5DDC3560(1)G6(2)
0.56	63	5.1	10.1	7.5	5.0	0.00047	5DDC3560(1)A6(2)	F5DDC3560(1)A6(2)
0.56	63	5.1	10.1	7.5	5.0	0.00068	5DDC3560(1)H6(2)	F5DDC3560(1)H6(2)
0.56	63	5.1	10.1	7.5	5.0	0.001	5DDC3560(1)C6(2)	F5DDC3560(1)C6(2)
0.56	63	5.1	10.1	7.5	5.0	0.0022	5DDC3560(1)F6(2)	F5DDC3560(1)F6(2)
0.56	63	5.1	10.1	7.5	5.0	0.0047	5DDC3560(1)B6(2)	F5DDC3560(1)B6(2)
0.56	63	5.1	10.1	7.5	5.0	0.0068	5DDC3560(1)N6(2)	F5DDC3560(1)N6(2)
0.56	63	5.1	10.1	7.5	5.0	0.01	5DDC3560(1)D6(2)	F5DDC3560(1)D6(2)
0.56	63	5.1	10.1	7.5	5.0	0.047	5DDC3560(1)R6(2)	F5DDC3560(1)R6(2)
0.56	63	5.1	10.1	7.5	5.0	0.068	5DDC3560(1)T6(2)	F5DDC3560(1)T6(2)
0.56	63	5.1	10.1	7.5	5.0	0.1	5DDC3560(1)S6(2)	F5DDC3560(1)S6(2)
0.68	63	5.1	10.1	7.5	5.0	0.00001	5DDC3680(1)U6(2)	F5DDC3680(1)U6(2)
0.68	63	5.1	10.1	7.5	5.0	0.000022	5DDC3680(1)V6(2)	F5DDC3680(1)V6(2)
0.68	63	5.1	10.1	7.5	5.0	0.000047	5DDC3680(1)W6(2)	F5DDC3680(1)W6(2)
0.68	63	5.1	10.1	7.5	5.0	0.000068	5DDC3680(1)X6(2)	F5DDC3680(1)X6(2)
0.68	63	5.1	10.1	7.5	5.0	0.0001	5DDC3680(1)E6(2)	F5DDC3680(1)E6(2)
0.68	63	5.1	10.1	7.5	5.0	0.00022	5DDC3680(1)G6(2)	F5DDC3680(1)G6(2)
0.68	63	5.1	10.1	7.5	5.0	0.00047	5DDC3680(1)A6(2)	F5DDC3680(1)A6(2)
0.68	63	5.1	10.1	7.5	5.0	0.00068	5DDC3680(1)H6(2)	F5DDC3680(1)H6(2)
0.68	63	5.1	10.1	7.5	5.0	0.001	5DDC3680(1)C6(2)	F5DDC3680(1)C6(2)
0.68	63	5.1	10.1	7.5	5.0	0.0022	5DDC3680(1)F6(2)	F5DDC3680(1)F6(2)
0.68	63	5.1	10.1	7.5	5.0	0.0047	5DDC3680(1)B6(2)	F5DDC3680(1)B6(2)
0.68	63	5.1	10.1	7.5	5.0	0.0068	5DDC3680(1)N6(2)	F5DDC3680(1)N6(2)
0.68	63	5.1	10.1	7.5	5.0	0.01	5DDC3680(1)D6(2)	F5DDC3680(1)D6(2)
0.68	63	5.1	10.1	7.5	5.0	0.047	5DDC3680(1)R6(2)	F5DDC3680(1)R6(2)
0.68	63	5.1	10.1	7.5	5.0	0.068	5DDC3680(1)T6(2)	F5DDC3680(1)T6(2)
0.68	63	5.1	10.1	7.5	5.0	0.1	5DDC3680(1)S6(2)	F5DDC3680(1)S6(2)
1.00	63	5.1	10.1	7.5	5.0	0.00001	5DDC4100(1)U6(2)	F5DDC4100(1)U6(2)
1.00	63	5.1	10.1	7.5	5.0	0.000022	5DDC4100(1)V6(2)	F5DDC4100(1)V6(2)
Capacitance Value (µF)	VDC	B (mm)	H (mm)	L (mm)	Lead Spacing (p)	Ceramic Cap (µF)	New KEMET Part Number	Legacy Part Number

(1) Insert lead and packaging code. See Ordering Options Table for available options.

(2) K = 10%, M = 20%.

Table 1 – Ratings & Part Number Reference cont'd

Capacitance Value (µF)	VDC	Max Dimensions in mm			Lead Spacing (p)	Ceramic Cap (µF)	New KEMET Part Number	Legacy Part Number
		B	H	L				
1.00	63	5.1	10.1	7.5	5.0	0.000047	5DDC4100(1)W6(2)	F5DDC4100(1)W6(2)
1.00	63	5.1	10.1	7.5	5.0	0.000068	5DDC4100(1)X6(2)	F5DDC4100(1)X6(2)
1.00	63	5.1	10.1	7.5	5.0	0.0001	5DDC4100(1)E6(2)	F5DDC4100(1)E6(2)
1.00	63	5.1	10.1	7.5	5.0	0.00022	5DDC4100(1)G6(2)	F5DDC4100(1)G6(2)
1.00	63	5.1	10.1	7.5	5.0	0.00047	5DDC4100(1)A6(2)	F5DDC4100(1)A6(2)
1.00	63	5.1	10.1	7.5	5.0	0.00068	5DDC4100(1)H6(2)	F5DDC4100(1)H6(2)
1.00	63	5.1	10.1	7.5	5.0	0.001	5DDC4100(1)C6(2)	F5DDC4100(1)C6(2)
1.00	63	5.1	10.1	7.5	5.0	0.0022	5DDC4100(1)F6(2)	F5DDC4100(1)F6(2)
1.00	63	5.1	10.1	7.5	5.0	0.0047	5DDC4100(1)B6(2)	F5DDC4100(1)B6(2)
1.00	63	5.1	10.1	7.5	5.0	0.0068	5DDC4100(1)N6(2)	F5DDC4100(1)N6(2)
1.00	63	5.1	10.1	7.5	5.0	0.01	5DDC4100(1)D6(2)	F5DDC4100(1)D6(2)
1.00	63	5.1	10.1	7.5	5.0	0.047	5DDC4100(1)R6(2)	F5DDC4100(1)R6(2)
1.00	63	5.1	10.1	7.5	5.0	0.068	5DDC4100(1)T6(2)	F5DDC4100(1)T6(2)
1.00	63	5.1	10.1	7.5	5.0	0.1	5DDC4100(1)S6(2)	F5DDC4100(1)S6(2)
1.50	63	6.1	11.1	7.5	5.0	0.00001	5DDC4150(1)U7(2)	F5DDC4150(1)U7(2)
1.50	63	6.1	11.1	7.5	5.0	0.000022	5DDC4150(1)V7(2)	F5DDC4150(1)V7(2)
1.50	63	6.1	11.1	7.5	5.0	0.000047	5DDC4150(1)W7(2)	F5DDC4150(1)W7(2)
1.50	63	6.1	11.1	7.5	5.0	0.000068	5DDC4150(1)X7(2)	F5DDC4150(1)X7(2)
1.50	63	6.1	11.1	7.5	5.0	0.0001	5DDC4150(1)E7(2)	F5DDC4150(1)E7(2)
1.50	63	6.1	11.1	7.5	5.0	0.00022	5DDC4150(1)G7(2)	F5DDC4150(1)G7(2)
1.50	63	6.1	11.1	7.5	5.0	0.00047	5DDC4150(1)A7(2)	F5DDC4150(1)A7(2)
1.50	63	6.1	11.1	7.5	5.0	0.00068	5DDC4150(1)H7(2)	F5DDC4150(1)H7(2)
1.50	63	6.1	11.1	7.5	5.0	0.001	5DDC4150(1)C7(2)	F5DDC4150(1)C7(2)
1.50	63	6.1	11.1	7.5	5.0	0.0022	5DDC4150(1)F7(2)	F5DDC4150(1)F7(2)
1.50	63	6.1	11.1	7.5	5.0	0.0047	5DDC4150(1)B7(2)	F5DDC4150(1)B7(2)
1.50	63	6.1	11.1	7.5	5.0	0.0068	5DDC4150(1)N7(2)	F5DDC4150(1)N7(2)
1.50	63	6.1	11.1	7.5	5.0	0.01	5DDC4150(1)D7(2)	F5DDC4150(1)D7(2)
1.50	63	6.1	11.1	7.5	5.0	0.047	5DDC4150(1)R7(2)	F5DDC4150(1)R7(2)
1.50	63	6.1	11.1	7.5	5.0	0.068	5DDC4150(1)T7(2)	F5DDC4150(1)T7(2)
1.50	63	6.1	11.1	7.5	5.0	0.1	5DDC4150(1)S7(2)	F5DDC4150(1)S7(2)
1.80	63	6.1	11.1	7.5	5.0	0.1	5DDC4180(1)S7(2)	F5DDC4180(1)S7(2)
1.80	63	6.1	11.1	7.5	5.0	0.000022	5DDC4180(1)V7(2)	F5DDC4180(1)V7(2)
1.80	63	6.1	11.1	7.5	5.0	0.000047	5DDC4180(1)W7(2)	F5DDC4180(1)W7(2)
1.80	63	6.1	11.1	7.5	5.0	0.000068	5DDC4180(1)X7(2)	F5DDC4180(1)X7(2)
1.80	63	6.1	11.1	7.5	5.0	0.0001	5DDC4180(1)E7(2)	F5DDC4180(1)E7(2)
1.80	63	6.1	11.1	7.5	5.0	0.00022	5DDC4180(1)G7(2)	F5DDC4180(1)G7(2)
1.80	63	6.1	11.1	7.5	5.0	0.00047	5DDC4180(1)A7(2)	F5DDC4180(1)A7(2)
1.80	63	6.1	11.1	7.5	5.0	0.00068	5DDC4180(1)H7(2)	F5DDC4180(1)H7(2)
1.80	63	6.1	11.1	7.5	5.0	0.001	5DDC4180(1)C7(2)	F5DDC4180(1)C7(2)
1.80	63	6.1	11.1	7.5	5.0	0.0022	5DDC4180(1)F7(2)	F5DDC4180(1)F7(2)
1.80	63	6.1	11.1	7.5	5.0	0.0047	5DDC4180(1)B7(2)	F5DDC4180(1)B7(2)
1.80	63	6.1	11.1	7.5	5.0	0.0068	5DDC4180(1)N7(2)	F5DDC4180(1)N7(2)
1.80	63	6.1	11.1	7.5	5.0	0.01	5DDC4180(1)D7(2)	F5DDC4180(1)D7(2)
1.80	63	6.1	11.1	7.5	5.0	0.047	5DDC4180(1)R7(2)	F5DDC4180(1)R7(2)
1.80	63	6.1	11.1	7.5	5.0	0.068	5DDC4180(1)T7(2)	F5DDC4180(1)T7(2)
1.80	63	6.1	11.1	7.5	5.0	0.00001	5DDC4180(1)U7(2)	F5DDC4180(1)U7(2)
2.20	63	6.1	11.1	7.5	5.0	0.1	5DDC4220(1)S7(2)	F5DDC4220(1)S7(2)
2.20	63	6.1	11.1	7.5	5.0	0.000022	5DDC4220(1)V7(2)	F5DDC4220(1)V7(2)
2.20	63	6.1	11.1	7.5	5.0	0.000047	5DDC4220(1)W7(2)	F5DDC4220(1)W7(2)
2.20	63	6.1	11.1	7.5	5.0	0.000068	5DDC4220(1)X7(2)	F5DDC4220(1)X7(2)
2.20	63	6.1	11.1	7.5	5.0	0.0001	5DDC4220(1)E7(2)	F5DDC4220(1)E7(2)
2.20	63	6.1	11.1	7.5	5.0	0.00022	5DDC4220(1)G7(2)	F5DDC4220(1)G7(2)
2.20	63	6.1	11.1	7.5	5.0	0.00047	5DDC4220(1)A7(2)	F5DDC4220(1)A7(2)
2.20	63	6.1	11.1	7.5	5.0	0.00068	5DDC4220(1)H7(2)	F5DDC4220(1)H7(2)
2.20	63	6.1	11.1	7.5	5.0	0.001	5DDC4220(1)C7(2)	F5DDC4220(1)C7(2)
2.20	63	6.1	11.1	7.5	5.0	0.0022	5DDC4220(1)F7(2)	F5DDC4220(1)F7(2)
2.20	63	6.1	11.1	7.5	5.0	0.0047	5DDC4220(1)B7(2)	F5DDC4220(1)B7(2)
2.20	63	6.1	11.1	7.5	5.0	0.0068	5DDC4220(1)N7(2)	F5DDC4220(1)N7(2)
2.20	63	6.1	11.1	7.5	5.0	0.01	5DDC4220(1)D7(2)	F5DDC4220(1)D7(2)
Capacitance Value (µF)	VDC	B (mm)	H (mm)	L (mm)	Lead Spacing (p)	Ceramic Cap (µF)	New KEMET Part Number	Legacy Part Number

(1) Insert lead and packaging code. See Ordering Options Table for available options.

(2) K = 10%, M = 20%.

Table 1 – Ratings & Part Number Reference cont'd

Capacitance Value (µF)	VDC	Max Dimensions in mm			Lead Spacing (p)	Ceramic Cap (µF)	New KEMET Part Number	Legacy Part Number
		B	H	L				
2.20	63	6.1	11.1	7.5	5.0	0.047	5DDC4220(1)R7(2)	F5DDC4220(1)R7(2)
2.20	63	6.1	11.1	7.5	5.0	0.068	5DDC4220(1)T7(2)	F5DDC4220(1)T7(2)
2.20	63	6.1	11.1	7.5	5.0	0.00001	5DDC4220(1)U7(2)	F5DDC4220(1)U7(2)
0.10	100	4.6	9.6	7.4	5.0	0.00001	5DEC3100(1)U5(2)	F5DEC3100(1)U5(2)
0.10	100	4.6	9.6	7.4	5.0	0.000022	5DEC3100(1)V5(2)	F5DEC3100(1)V5(2)
0.10	100	4.6	9.6	7.4	5.0	0.000047	5DEC3100(1)W5(2)	F5DEC3100(1)W5(2)
0.10	100	4.6	9.6	7.4	5.0	0.000068	5DEC3100(1)X5(2)	F5DEC3100(1)X5(2)
0.10	100	4.6	9.6	7.4	5.0	0.0001	5DEC3100(1)E5(2)	F5DEC3100(1)E5(2)
0.10	100	4.6	9.6	7.4	5.0	0.00022	5DEC3100(1)G5(2)	F5DEC3100(1)G5(2)
0.10	100	4.6	9.6	7.4	5.0	0.00047	5DEC3100(1)A5(2)	F5DEC3100(1)A5(2)
0.10	100	4.6	9.6	7.4	5.0	0.00068	5DEC3100(1)H5(2)	F5DEC3100(1)H5(2)
0.10	100	4.6	9.6	7.4	5.0	0.001	5DEC3100(1)C5(2)	F5DEC3100(1)C5(2)
0.10	100	4.6	9.6	7.4	5.0	0.0022	5DEC3100(1)F5(2)	F5DEC3100(1)F5(2)
0.10	100	4.6	9.6	7.4	5.0	0.0047	5DEC3100(1)B5(2)	F5DEC3100(1)B5(2)
0.10	100	4.6	9.6	7.4	5.0	0.0068	5DEC3100(1)N5(2)	F5DEC3100(1)N5(2)
0.10	100	4.6	9.6	7.4	5.0	0.01	5DEC3100(1)D5(2)	F5DEC3100(1)D5(2)
0.10	100	4.6	9.6	7.4	5.0	0.047	5DEC3100(1)R5(2)	F5DEC3100(1)R5(2)
0.10	100	4.6	9.6	7.4	5.0	0.068	5DEC3100(1)T5(2)	F5DEC3100(1)T5(2)
0.10	100	4.6	9.6	7.4	5.0	0.1	5DEC3100(1)S5(2)	F5DEC3100(1)S5(2)
0.22	100	4.6	9.6	7.4	5.0	0.00001	5DEC3220(1)U5(2)	F5DEC3220(1)U5(2)
0.22	100	4.6	9.6	7.4	5.0	0.000022	5DEC3220(1)V5(2)	F5DEC3220(1)V5(2)
0.22	100	4.6	9.6	7.4	5.0	0.000047	5DEC3220(1)W5(2)	F5DEC3220(1)W5(2)
0.22	100	4.6	9.6	7.4	5.0	0.000068	5DEC3220(1)X5(2)	F5DEC3220(1)X5(2)
0.22	100	4.6	9.6	7.4	5.0	0.0001	5DEC3220(1)E5(2)	F5DEC3220(1)E5(2)
0.22	100	4.6	9.6	7.4	5.0	0.00022	5DEC3220(1)G5(2)	F5DEC3220(1)G5(2)
0.22	100	4.6	9.6	7.4	5.0	0.00047	5DEC3220(1)A5(2)	F5DEC3220(1)A5(2)
0.22	100	4.6	9.6	7.4	5.0	0.00068	5DEC3220(1)H5(2)	F5DEC3220(1)H5(2)
0.22	100	4.6	9.6	7.4	5.0	0.001	5DEC3220(1)C5(2)	F5DEC3220(1)C5(2)
0.22	100	4.6	9.6	7.4	5.0	0.0022	5DEC3220(1)F5(2)	F5DEC3220(1)F5(2)
0.22	100	4.6	9.6	7.4	5.0	0.0047	5DEC3220(1)B5(2)	F5DEC3220(1)B5(2)
0.22	100	4.6	9.6	7.4	5.0	0.0068	5DEC3220(1)N5(2)	F5DEC3220(1)N5(2)
0.22	100	4.6	9.6	7.4	5.0	0.01	5DEC3220(1)D5(2)	F5DEC3220(1)D5(2)
0.22	100	4.6	9.6	7.4	5.0	0.047	5DEC3220(1)R5(2)	F5DEC3220(1)R5(2)
0.22	100	4.6	9.6	7.4	5.0	0.068	5DEC3220(1)T5(2)	F5DEC3220(1)T5(2)
0.22	100	4.6	9.6	7.4	5.0	0.1	5DEC3220(1)S5(2)	F5DEC3220(1)S5(2)
0.33	100	4.6	9.6	7.4	5.0	0.00001	5DEC3330(1)U5(2)	F5DEC3330(1)U5(2)
0.33	100	4.6	9.6	7.4	5.0	0.000022	5DEC3330(1)V5(2)	F5DEC3330(1)V5(2)
0.33	100	4.6	9.6	7.4	5.0	0.000047	5DEC3330(1)W5(2)	F5DEC3330(1)W5(2)
0.33	100	4.6	9.6	7.4	5.0	0.000068	5DEC3330(1)X5(2)	F5DEC3330(1)X5(2)
0.33	100	4.6	9.6	7.4	5.0	0.0001	5DEC3330(1)E5(2)	F5DEC3330(1)E5(2)
0.33	100	4.6	9.6	7.4	5.0	0.00022	5DEC3330(1)G5(2)	F5DEC3330(1)G5(2)
0.33	100	4.6	9.6	7.4	5.0	0.00047	5DEC3330(1)A5(2)	F5DEC3330(1)A5(2)
0.33	100	4.6	9.6	7.4	5.0	0.00068	5DEC3330(1)H5(2)	F5DEC3330(1)H5(2)
0.33	100	4.6	9.6	7.4	5.0	0.001	5DEC3330(1)C5(2)	F5DEC3330(1)C5(2)
0.33	100	4.6	9.6	7.4	5.0	0.0022	5DEC3330(1)F5(2)	F5DEC3330(1)F5(2)
0.33	100	4.6	9.6	7.4	5.0	0.0047	5DEC3330(1)B5(2)	F5DEC3330(1)B5(2)
0.33	100	4.6	9.6	7.4	5.0	0.0068	5DEC3330(1)N5(2)	F5DEC3330(1)N5(2)
0.33	100	4.6	9.6	7.4	5.0	0.01	5DEC3330(1)D5(2)	F5DEC3330(1)D5(2)
0.33	100	4.6	9.6	7.4	5.0	0.047	5DEC3330(1)R5(2)	F5DEC3330(1)R5(2)
0.33	100	4.6	9.6	7.4	5.0	0.068	5DEC3330(1)T5(2)	F5DEC3330(1)T5(2)
0.33	100	4.6	9.6	7.4	5.0	0.1	5DEC3330(1)S5(2)	F5DEC3330(1)S5(2)
0.47	100	4.6	9.6	7.4	5.0	0.00001	5DEC3470(1)U5(2)	F5DEC3470(1)U5(2)
0.47	100	4.6	9.6	7.4	5.0	0.000022	5DEC3470(1)V5(2)	F5DEC3470(1)V5(2)
0.47	100	4.6	9.6	7.4	5.0	0.000047	5DEC3470(1)W5(2)	F5DEC3470(1)W5(2)
0.47	100	4.6	9.6	7.4	5.0	0.000068	5DEC3470(1)X5(2)	F5DEC3470(1)X5(2)
0.47	100	4.6	9.6	7.4	5.0	0.0001	5DEC3470(1)E5(2)	F5DEC3470(1)E5(2)
0.47	100	4.6	9.6	7.4	5.0	0.00022	5DEC3470(1)G5(2)	F5DEC3470(1)G5(2)
0.47	100	4.6	9.6	7.4	5.0	0.00047	5DEC3470(1)A5(2)	F5DEC3470(1)A5(2)
0.47	100	4.6	9.6	7.4	5.0	0.00068	5DEC3470(1)H5(2)	F5DEC3470(1)H5(2)

(1) Insert lead and packaging code. See Ordering Options Table for available options.

(2) K = 10%, M = 20%.

Table 1 – Ratings & Part Number Reference cont'd

Capacitance Value (µF)	VDC	Max Dimensions in mm			Lead Spacing (p)	Ceramic Cap (µF)	New KEMET Part Number	Legacy Part Number
		B	H	L				
0.47	100	4.6	9.6	7.4	5.0	0.001	5DEC3470(1)C5(2)	F5DEC3470(1)C5(2)
0.47	100	4.6	9.6	7.4	5.0	0.0022	5DEC3470(1)F5(2)	F5DEC3470(1)F5(2)
0.47	100	4.6	9.6	7.4	5.0	0.0047	5DEC3470(1)B5(2)	F5DEC3470(1)B5(2)
0.47	100	4.6	9.6	7.4	5.0	0.0068	5DEC3470(1)N5(2)	F5DEC3470(1)N5(2)
0.47	100	4.6	9.6	7.4	5.0	0.01	5DEC3470(1)D5(2)	F5DEC3470(1)D5(2)
0.47	100	4.6	9.6	7.4	5.0	0.047	5DEC3470(1)R5(2)	F5DEC3470(1)R5(2)
0.47	100	4.6	9.6	7.4	5.0	0.068	5DEC3470(1)T5(2)	F5DEC3470(1)T5(2)
0.47	100	4.6	9.6	7.4	5.0	0.1	5DEC3470(1)S5(2)	F5DEC3470(1)S5(2)
0.56	100	5.1	10.1	7.5	5.0	0.00001	5DEC3560(1)U6(2)	F5DEC3560(1)U6(2)
0.56	100	5.1	10.1	7.5	5.0	0.000022	5DEC3560(1)V6(2)	F5DEC3560(1)V6(2)
0.56	100	5.1	10.1	7.5	5.0	0.000047	5DEC3560(1)W6(2)	F5DEC3560(1)W6(2)
0.56	100	5.1	10.1	7.5	5.0	0.000068	5DEC3560(1)X6(2)	F5DEC3560(1)X6(2)
0.56	100	5.1	10.1	7.5	5.0	0.0001	5DEC3560(1)E6(2)	F5DEC3560(1)E6(2)
0.56	100	5.1	10.1	7.5	5.0	0.00022	5DEC3560(1)G6(2)	F5DEC3560(1)G6(2)
0.56	100	5.1	10.1	7.5	5.0	0.00047	5DEC3560(1)A6(2)	F5DEC3560(1)A6(2)
0.56	100	5.1	10.1	7.5	5.0	0.00068	5DEC3560(1)H6(2)	F5DEC3560(1)H6(2)
0.56	100	5.1	10.1	7.5	5.0	0.001	5DEC3560(1)C6(2)	F5DEC3560(1)C6(2)
0.56	100	5.1	10.1	7.5	5.0	0.0022	5DEC3560(1)F6(2)	F5DEC3560(1)F6(2)
0.56	100	5.1	10.1	7.5	5.0	0.0047	5DEC3560(1)B6(2)	F5DEC3560(1)B6(2)
0.56	100	5.1	10.1	7.5	5.0	0.0068	5DEC3560(1)N6(2)	F5DEC3560(1)N6(2)
0.56	100	5.1	10.1	7.5	5.0	0.01	5DEC3560(1)D6(2)	F5DEC3560(1)D6(2)
0.56	100	5.1	10.1	7.5	5.0	0.047	5DEC3560(1)R6(2)	F5DEC3560(1)R6(2)
0.56	100	5.1	10.1	7.5	5.0	0.068	5DEC3560(1)T6(2)	F5DEC3560(1)T6(2)
0.56	100	5.1	10.1	7.5	5.0	0.1	5DEC3560(1)S6(2)	F5DEC3560(1)S6(2)
0.68	100	5.1	10.1	7.5	5.0	0.00001	5DEC3680(1)U6(2)	F5DEC3680(1)U6(2)
0.68	100	5.1	10.1	7.5	5.0	0.000022	5DEC3680(1)V6(2)	F5DEC3680(1)V6(2)
0.68	100	5.1	10.1	7.5	5.0	0.000047	5DEC3680(1)W6(2)	F5DEC3680(1)W6(2)
0.68	100	5.1	10.1	7.5	5.0	0.000068	5DEC3680(1)X6(2)	F5DEC3680(1)X6(2)
0.68	100	5.1	10.1	7.5	5.0	0.0001	5DEC3680(1)E6(2)	F5DEC3680(1)E6(2)
0.68	100	5.1	10.1	7.5	5.0	0.00022	5DEC3680(1)G6(2)	F5DEC3680(1)G6(2)
0.68	100	5.1	10.1	7.5	5.0	0.00047	5DEC3680(1)A6(2)	F5DEC3680(1)A6(2)
0.68	100	5.1	10.1	7.5	5.0	0.00068	5DEC3680(1)H6(2)	F5DEC3680(1)H6(2)
0.68	100	5.1	10.1	7.5	5.0	0.001	5DEC3680(1)C6(2)	F5DEC3680(1)C6(2)
0.68	100	5.1	10.1	7.5	5.0	0.0022	5DEC3680(1)F6(2)	F5DEC3680(1)F6(2)
0.68	100	5.1	10.1	7.5	5.0	0.0047	5DEC3680(1)B6(2)	F5DEC3680(1)B6(2)
0.68	100	5.1	10.1	7.5	5.0	0.0068	5DEC3680(1)N6(2)	F5DEC3680(1)N6(2)
0.68	100	5.1	10.1	7.5	5.0	0.01	5DEC3680(1)D6(2)	F5DEC3680(1)D6(2)
0.68	100	5.1	10.1	7.5	5.0	0.047	5DEC3680(1)R6(2)	F5DEC3680(1)R6(2)
0.68	100	5.1	10.1	7.5	5.0	0.068	5DEC3680(1)T6(2)	F5DEC3680(1)T6(2)
0.68	100	5.1	10.1	7.5	5.0	0.1	5DEC3680(1)S6(2)	F5DEC3680(1)S6(2)
1.00	100	5.1	10.1	7.5	5.0	0.00001	5DEC4100(1)U6(2)	F5DEC4100(1)U6(2)
1.00	100	5.1	10.1	7.5	5.0	0.000022	5DEC4100(1)V6(2)	F5DEC4100(1)V6(2)
1.00	100	5.1	10.1	7.5	5.0	0.000047	5DEC4100(1)W6(2)	F5DEC4100(1)W6(2)
1.00	100	5.1	10.1	7.5	5.0	0.000068	5DEC4100(1)X6(2)	F5DEC4100(1)X6(2)
1.00	100	5.1	10.1	7.5	5.0	0.0001	5DEC4100(1)E6(2)	F5DEC4100(1)E6(2)
1.00	100	5.1	10.1	7.5	5.0	0.00022	5DEC4100(1)G6(2)	F5DEC4100(1)G6(2)
1.00	100	5.1	10.1	7.5	5.0	0.00047	5DEC4100(1)A6(2)	F5DEC4100(1)A6(2)
1.00	100	5.1	10.1	7.5	5.0	0.00068	5DEC4100(1)H6(2)	F5DEC4100(1)H6(2)
1.00	100	5.1	10.1	7.5	5.0	0.001	5DEC4100(1)C6(2)	F5DEC4100(1)C6(2)
1.00	100	5.1	10.1	7.5	5.0	0.0022	5DEC4100(1)F6(2)	F5DEC4100(1)F6(2)
1.00	100	5.1	10.1	7.5	5.0	0.0047	5DEC4100(1)B6(2)	F5DEC4100(1)B6(2)
1.00	100	5.1	10.1	7.5	5.0	0.0068	5DEC4100(1)N6(2)	F5DEC4100(1)N6(2)
1.00	100	5.1	10.1	7.5	5.0	0.01	5DEC4100(1)D6(2)	F5DEC4100(1)D6(2)
1.00	100	5.1	10.1	7.5	5.0	0.047	5DEC4100(1)R6(2)	F5DEC4100(1)R6(2)
1.00	100	5.1	10.1	7.5	5.0	0.068	5DEC4100(1)T6(2)	F5DEC4100(1)T6(2)
1.00	100	5.1	10.1	7.5	5.0	0.1	5DEC4100(1)S6(2)	F5DEC4100(1)S6(2)
1.50	100	6.1	11.1	7.5	5.0	0.00001	5DEC4150(1)U7(2)	F5DEC4150(1)U7(2)
1.50	100	6.1	11.1	7.5	5.0	0.000022	5DEC4150(1)V7(2)	F5DEC4150(1)V7(2)
1.50	100	6.1	11.1	7.5	5.0	0.000047	5DEC4150(1)W7(2)	F5DEC4150(1)W7(2)

(1) Insert lead and packaging code. See Ordering Options Table for available options.

(2) K = 10%, M = 20%.

Table 1 – Ratings & Part Number Reference cont'd

Capacitance Value (µF)	VDC	Max Dimensions in mm			Lead Spacing (p)	Ceramic Cap (µF)	New KEMET Part Number	Legacy Part Number
		B	H	L				
1.50	100	6.1	11.1	7.5	5.0	0.000068	5DEC4150(1)X7(2)	F5DEC4150(1)X7(2)
1.50	100	6.1	11.1	7.5	5.0	0.0001	5DEC4150(1)E7(2)	F5DEC4150(1)E7(2)
1.50	100	6.1	11.1	7.5	5.0	0.00022	5DEC4150(1)G7(2)	F5DEC4150(1)G7(2)
1.50	100	6.1	11.1	7.5	5.0	0.00047	5DEC4150(1)A7(2)	F5DEC4150(1)A7(2)
1.50	100	6.1	11.1	7.5	5.0	0.00068	5DEC4150(1)H7(2)	F5DEC4150(1)H7(2)
1.50	100	6.1	11.1	7.5	5.0	0.001	5DEC4150(1)C7(2)	F5DEC4150(1)C7(2)
1.50	100	6.1	11.1	7.5	5.0	0.0022	5DEC4150(1)F7(2)	F5DEC4150(1)F7(2)
1.50	100	6.1	11.1	7.5	5.0	0.0047	5DEC4150(1)B7(2)	F5DEC4150(1)B7(2)
1.50	100	6.1	11.1	7.5	5.0	0.0068	5DEC4150(1)N7(2)	F5DEC4150(1)N7(2)
1.50	100	6.1	11.1	7.5	5.0	0.01	5DEC4150(1)D7(2)	F5DEC4150(1)D7(2)
1.50	100	6.1	11.1	7.5	5.0	0.047	5DEC4150(1)R7(2)	F5DEC4150(1)R7(2)
1.50	100	6.1	11.1	7.5	5.0	0.068	5DEC4150(1)T7(2)	F5DEC4150(1)T7(2)
1.50	100	6.1	11.1	7.5	5.0	0.1	5DEC4150(1)S7(2)	F5DEC4150(1)S7(2)
0.10	63	5.2	11.1	13.4	10.0	0.00001	5DDF3100(1)U2(2)	F5DDF3100(1)U2(2)
0.10	63	5.2	11.1	13.4	10.0	0.000022	5DDF3100(1)V2(2)	F5DDF3100(1)V2(2)
0.10	63	5.2	11.1	13.4	10.0	0.000047	5DDF3100(1)W2(2)	F5DDF3100(1)W2(2)
0.10	63	5.2	11.1	13.4	10.0	0.000068	5DDF3100(1)X2(2)	F5DDF3100(1)X2(2)
0.10	63	5.2	11.1	13.4	10.0	0.0001	5DDF3100(1)E2(2)	F5DDF3100(1)E2(2)
0.10	63	5.2	11.1	13.4	10.0	0.00022	5DDF3100(1)G2(2)	F5DDF3100(1)G2(2)
0.10	63	5.2	11.1	13.4	10.0	0.00047	5DDF3100(1)A2(2)	F5DDF3100(1)A2(2)
0.10	63	5.2	11.1	13.4	10.0	0.00068	5DDF3100(1)H2(2)	F5DDF3100(1)H2(2)
0.10	63	5.2	11.1	13.4	10.0	0.001	5DDF3100(1)C2(2)	F5DDF3100(1)C2(2)
0.10	63	5.2	11.1	13.4	10.0	0.0022	5DDF3100(1)F2(2)	F5DDF3100(1)F2(2)
0.10	63	5.2	11.1	13.4	10.0	0.0047	5DDF3100(1)B2(2)	F5DDF3100(1)B2(2)
0.10	63	5.2	11.1	13.4	10.0	0.0068	5DDF3100(1)N2(2)	F5DDF3100(1)N2(2)
0.10	63	5.2	11.1	13.4	10.0	0.01	5DDF3100(1)D2(2)	F5DDF3100(1)D2(2)
0.10	63	5.2	11.1	13.4	10.0	0.047	5DDF3100(1)R2(2)	F5DDF3100(1)R2(2)
0.10	63	5.2	11.1	13.4	10.0	0.068	5DDF3100(1)T2(2)	F5DDF3100(1)T2(2)
0.10	63	5.2	11.1	13.4	10.0	0.1	5DDF3100(1)S2(2)	F5DDF3100(1)S2(2)
0.22	63	5.2	11.1	13.4	10.0	0.00001	5DDF3220(1)U2(2)	F5DDF3220(1)U2(2)
0.22	63	5.2	11.1	13.4	10.0	0.000022	5DDF3220(1)V2(2)	F5DDF3220(1)V2(2)
0.22	63	5.2	11.1	13.4	10.0	0.000047	5DDF3220(1)W2(2)	F5DDF3220(1)W2(2)
0.22	63	5.2	11.1	13.4	10.0	0.000068	5DDF3220(1)X2(2)	F5DDF3220(1)X2(2)
0.22	63	5.2	11.1	13.4	10.0	0.0001	5DDF3220(1)E2(2)	F5DDF3220(1)E2(2)
0.22	63	5.2	11.1	13.4	10.0	0.00022	5DDF3220(1)G2(2)	F5DDF3220(1)G2(2)
0.22	63	5.2	11.1	13.4	10.0	0.00047	5DDF3220(1)A2(2)	F5DDF3220(1)A2(2)
0.22	63	5.2	11.1	13.4	10.0	0.00068	5DDF3220(1)H2(2)	F5DDF3220(1)H2(2)
0.22	63	5.2	11.1	13.4	10.0	0.001	5DDF3220(1)C2(2)	F5DDF3220(1)C2(2)
0.22	63	5.2	11.1	13.4	10.0	0.0022	5DDF3220(1)F2(2)	F5DDF3220(1)F2(2)
0.22	63	5.2	11.1	13.4	10.0	0.0047	5DDF3220(1)B2(2)	F5DDF3220(1)B2(2)
0.22	63	5.2	11.1	13.4	10.0	0.0068	5DDF3220(1)N2(2)	F5DDF3220(1)N2(2)
0.22	63	5.2	11.1	13.4	10.0	0.01	5DDF3220(1)D2(2)	F5DDF3220(1)D2(2)
0.22	63	5.2	11.1	13.4	10.0	0.047	5DDF3220(1)R2(2)	F5DDF3220(1)R2(2)
0.22	63	5.2	11.1	13.4	10.0	0.068	5DDF3220(1)T2(2)	F5DDF3220(1)T2(2)
0.22	63	5.2	11.1	13.4	10.0	0.1	5DDF3220(1)S2(2)	F5DDF3220(1)S2(2)
0.33	63	5.2	11.1	13.4	10.0	0.00001	5DDF3330(1)U2(2)	F5DDF3330(1)U2(2)
0.33	63	5.2	11.1	13.4	10.0	0.000022	5DDF3330(1)V2(2)	F5DDF3330(1)V2(2)
0.33	63	5.2	11.1	13.4	10.0	0.000047	5DDF3330(1)W2(2)	F5DDF3330(1)W2(2)
0.33	63	5.2	11.1	13.4	10.0	0.000068	5DDF3330(1)X2(2)	F5DDF3330(1)X2(2)
0.33	63	5.2	11.1	13.4	10.0	0.0001	5DDF3330(1)E2(2)	F5DDF3330(1)E2(2)
0.33	63	5.2	11.1	13.4	10.0	0.00022	5DDF3330(1)G2(2)	F5DDF3330(1)G2(2)
0.33	63	5.2	11.1	13.4	10.0	0.00047	5DDF3330(1)A2(2)	F5DDF3330(1)A2(2)
0.33	63	5.2	11.1	13.4	10.0	0.00068	5DDF3330(1)H2(2)	F5DDF3330(1)H2(2)
0.33	63	5.2	11.1	13.4	10.0	0.001	5DDF3330(1)C2(2)	F5DDF3330(1)C2(2)
0.33	63	5.2	11.1	13.4	10.0	0.0022	5DDF3330(1)F2(2)	F5DDF3330(1)F2(2)
0.33	63	5.2	11.1	13.4	10.0	0.0047	5DDF3330(1)B2(2)	F5DDF3330(1)B2(2)
0.33	63	5.2	11.1	13.4	10.0	0.0068	5DDF3330(1)N2(2)	F5DDF3330(1)N2(2)
0.33	63	5.2	11.1	13.4	10.0	0.01	5DDF3330(1)D2(2)	F5DDF3330(1)D2(2)
0.33	63	5.2	11.1	13.4	10.0	0.047	5DDF3330(1)R2(2)	F5DDF3330(1)R2(2)

(1) Insert lead and packaging code. See Ordering Options Table for available options.

(2) K = 10%, M = 20%.

Table 1 – Ratings & Part Number Reference cont'd

Capacitance Value (µF)	VDC	Max Dimensions in mm			Lead Spacing (p)	Ceramic Cap (µF)	New KEMET Part Number	Legacy Part Number
		B	H	L				
0.33	63	5.2	11.1	13.4	10.0	0.068	5DDF3330(1)T2(2)	F5DDF3330(1)T2(2)
0.33	63	5.2	11.1	13.4	10.0	0.1	5DDF3330(1)S2(2)	F5DDF3330(1)S2(2)
0.47	63	5.2	11.1	13.4	10.0	0.00001	5DDF3470(1)U2(2)	F5DDF3470(1)U2(2)
0.47	63	5.2	11.1	13.4	10.0	0.000022	5DDF3470(1)V2(2)	F5DDF3470(1)V2(2)
0.47	63	5.2	11.1	13.4	10.0	0.000047	5DDF3470(1)W2(2)	F5DDF3470(1)W2(2)
0.47	63	5.2	11.1	13.4	10.0	0.000068	5DDF3470(1)X2(2)	F5DDF3470(1)X2(2)
0.47	63	5.2	11.1	13.4	10.0	0.0001	5DDF3470(1)E2(2)	F5DDF3470(1)E2(2)
0.47	63	5.2	11.1	13.4	10.0	0.00022	5DDF3470(1)G2(2)	F5DDF3470(1)G2(2)
0.47	63	5.2	11.1	13.4	10.0	0.00047	5DDF3470(1)A2(2)	F5DDF3470(1)A2(2)
0.47	63	5.2	11.1	13.4	10.0	0.00068	5DDF3470(1)H2(2)	F5DDF3470(1)H2(2)
0.47	63	5.2	11.1	13.4	10.0	0.001	5DDF3470(1)C2(2)	F5DDF3470(1)C2(2)
0.47	63	5.2	11.1	13.4	10.0	0.0022	5DDF3470(1)F2(2)	F5DDF3470(1)F2(2)
0.47	63	5.2	11.1	13.4	10.0	0.0047	5DDF3470(1)B2(2)	F5DDF3470(1)B2(2)
0.47	63	5.2	11.1	13.4	10.0	0.0068	5DDF3470(1)N2(2)	F5DDF3470(1)N2(2)
0.47	63	5.2	11.1	13.4	10.0	0.01	5DDF3470(1)D2(2)	F5DDF3470(1)D2(2)
0.47	63	5.2	11.1	13.4	10.0	0.047	5DDF3470(1)R2(2)	F5DDF3470(1)R2(2)
0.47	63	5.2	11.1	13.4	10.0	0.068	5DDF3470(1)T2(2)	F5DDF3470(1)T2(2)
0.47	63	5.2	11.1	13.4	10.0	0.1	5DDF3470(1)S2(2)	F5DDF3470(1)S2(2)
0.56	63	5.2	11.1	13.4	10.0	0.00001	5DDF3560(1)U2(2)	F5DDF3560(1)U2(2)
0.56	63	5.2	11.1	13.4	10.0	0.000022	5DDF3560(1)V2(2)	F5DDF3560(1)V2(2)
0.56	63	5.2	11.1	13.4	10.0	0.000047	5DDF3560(1)W2(2)	F5DDF3560(1)W2(2)
0.56	63	5.2	11.1	13.4	10.0	0.000068	5DDF3560(1)X2(2)	F5DDF3560(1)X2(2)
0.56	63	5.2	11.1	13.4	10.0	0.0001	5DDF3560(1)E2(2)	F5DDF3560(1)E2(2)
0.56	63	5.2	11.1	13.4	10.0	0.00022	5DDF3560(1)G2(2)	F5DDF3560(1)G2(2)
0.56	63	5.2	11.1	13.4	10.0	0.00047	5DDF3560(1)A2(2)	F5DDF3560(1)A2(2)
0.56	63	5.2	11.1	13.4	10.0	0.00068	5DDF3560(1)H2(2)	F5DDF3560(1)H2(2)
0.56	63	5.2	11.1	13.4	10.0	0.001	5DDF3560(1)C2(2)	F5DDF3560(1)C2(2)
0.56	63	5.2	11.1	13.4	10.0	0.0022	5DDF3560(1)F2(2)	F5DDF3560(1)F2(2)
0.56	63	5.2	11.1	13.4	10.0	0.0047	5DDF3560(1)B2(2)	F5DDF3560(1)B2(2)
0.56	63	5.2	11.1	13.4	10.0	0.0068	5DDF3560(1)N2(2)	F5DDF3560(1)N2(2)
0.56	63	5.2	11.1	13.4	10.0	0.01	5DDF3560(1)D2(2)	F5DDF3560(1)D2(2)
0.56	63	5.2	11.1	13.4	10.0	0.047	5DDF3560(1)R2(2)	F5DDF3560(1)R2(2)
0.56	63	5.2	11.1	13.4	10.0	0.068	5DDF3560(1)T2(2)	F5DDF3560(1)T2(2)
0.56	63	5.2	11.1	13.4	10.0	0.1	5DDF3560(1)S2(2)	F5DDF3560(1)S2(2)
1.00	63	5.2	11.1	13.4	10.0	0.00001	5DDF4100(1)U2(2)	F5DDF4100(1)U2(2)
1.00	63	5.2	11.1	13.4	10.0	0.000022	5DDF4100(1)V2(2)	F5DDF4100(1)V2(2)
1.00	63	5.2	11.1	13.4	10.0	0.000047	5DDF4100(1)W2(2)	F5DDF4100(1)W2(2)
1.00	63	5.2	11.1	13.4	10.0	0.000068	5DDF4100(1)X2(2)	F5DDF4100(1)X2(2)
1.00	63	5.2	11.1	13.4	10.0	0.0001	5DDF4100(1)E2(2)	F5DDF4100(1)E2(2)
1.00	63	5.2	11.1	13.4	10.0	0.00022	5DDF4100(1)G2(2)	F5DDF4100(1)G2(2)
1.00	63	5.2	11.1	13.4	10.0	0.00047	5DDF4100(1)A2(2)	F5DDF4100(1)A2(2)
1.00	63	5.2	11.1	13.4	10.0	0.00068	5DDF4100(1)H2(2)	F5DDF4100(1)H2(2)
1.00	63	5.2	11.1	13.4	10.0	0.001	5DDF4100(1)C2(2)	F5DDF4100(1)C2(2)
1.00	63	5.2	11.1	13.4	10.0	0.0022	5DDF4100(1)F2(2)	F5DDF4100(1)F2(2)
1.00	63	5.2	11.1	13.4	10.0	0.0047	5DDF4100(1)B2(2)	F5DDF4100(1)B2(2)
1.00	63	5.2	11.1	13.4	10.0	0.0068	5DDF4100(1)N2(2)	F5DDF4100(1)N2(2)
1.00	63	5.2	11.1	13.4	10.0	0.01	5DDF4100(1)D2(2)	F5DDF4100(1)D2(2)
1.00	63	5.2	11.1	13.4	10.0	0.047	5DDF4100(1)R2(2)	F5DDF4100(1)R2(2)
1.00	63	5.2	11.1	13.4	10.0	0.068	5DDF4100(1)T2(2)	F5DDF4100(1)T2(2)
1.00	63	5.2	11.1	13.4	10.0	0.1	5DDF4100(1)S2(2)	F5DDF4100(1)S2(2)
1.20	63	6.2	12.1	13.4	10.0	0.00001	5DDF4120(1)U3(2)	F5DDF4120(1)U3(2)
1.20	63	6.2	12.1	13.4	10.0	0.000022	5DDF4120(1)V3(2)	F5DDF4120(1)V3(2)
1.20	63	6.2	12.1	13.4	10.0	0.000047	5DDF4120(1)W3(2)	F5DDF4120(1)W3(2)
1.20	63	6.2	12.1	13.4	10.0	0.000068	5DDF4120(1)X3(2)	F5DDF4120(1)X3(2)
1.20	63	6.2	12.1	13.4	10.0	0.0001	5DDF4120(1)E3(2)	F5DDF4120(1)E3(2)
1.20	63	6.2	12.1	13.4	10.0	0.00022	5DDF4120(1)G3(2)	F5DDF4120(1)G3(2)
1.20	63	6.2	12.1	13.4	10.0	0.00047	5DDF4120(1)A3(2)	F5DDF4120(1)A3(2)
1.20	63	6.2	12.1	13.4	10.0	0.00068	5DDF4120(1)H3(2)	F5DDF4120(1)H3(2)
1.20	63	6.2	12.1	13.4	10.0	0.001	5DDF4120(1)C3(2)	F5DDF4120(1)C3(2)
Capacitance Value (µF)	VDC	B (mm)	H (mm)	L (mm)	Lead Spacing (p)	Ceramic Cap (µF)	New KEMET Part Number	Legacy Part Number

(1) Insert lead and packaging code. See Ordering Options Table for available options.

(2) K = 10%, M = 20%.

Table 1 – Ratings & Part Number Reference cont'd

Capacitance Value (µF)	VDC	Max Dimensions in mm			Lead Spacing (p)	Ceramic Cap (µF)	New KEMET Part Number	Legacy Part Number
		B	H	L				
1.20	63	6.2	12.1	13.4	10.0	0.0022	5DDF4120(1)F3(2)	F5DDF4120(1)F3(2)
1.20	63	6.2	12.1	13.4	10.0	0.0047	5DDF4120(1)B3(2)	F5DDF4120(1)B3(2)
1.20	63	6.2	12.1	13.4	10.0	0.0068	5DDF4120(1)N3(2)	F5DDF4120(1)N3(2)
1.20	63	6.2	12.1	13.4	10.0	0.01	5DDF4120(1)D3(2)	F5DDF4120(1)D3(2)
1.20	63	6.2	12.1	13.4	10.0	0.047	5DDF4120(1)R3(2)	F5DDF4120(1)R3(2)
1.20	63	6.2	12.1	13.4	10.0	0.068	5DDF4120(1)T3(2)	F5DDF4120(1)T3(2)
1.20	63	6.2	12.1	13.4	10.0	0.1	5DDF4120(1)S3(2)	F5DDF4120(1)S3(2)
1.50	63	6.2	12.1	13.4	10.0	0.00001	5DDF4150(1)U3(2)	F5DDF4150(1)U3(2)
1.50	63	6.2	12.1	13.4	10.0	0.000022	5DDF4150(1)V3(2)	F5DDF4150(1)V3(2)
1.50	63	6.2	12.1	13.4	10.0	0.000047	5DDF4150(1)W3(2)	F5DDF4150(1)W3(2)
1.50	63	6.2	12.1	13.4	10.0	0.000068	5DDF4150(1)X3(2)	F5DDF4150(1)X3(2)
1.50	63	6.2	12.1	13.4	10.0	0.0001	5DDF4150(1)E3(2)	F5DDF4150(1)E3(2)
1.50	63	6.2	12.1	13.4	10.0	0.00022	5DDF4150(1)G3(2)	F5DDF4150(1)G3(2)
1.50	63	6.2	12.1	13.4	10.0	0.00047	5DDF4150(1)A3(2)	F5DDF4150(1)A3(2)
1.50	63	6.2	12.1	13.4	10.0	0.00068	5DDF4150(1)H3(2)	F5DDF4150(1)H3(2)
1.50	63	6.2	12.1	13.4	10.0	0.001	5DDF4150(1)C3(2)	F5DDF4150(1)C3(2)
1.50	63	6.2	12.1	13.4	10.0	0.0022	5DDF4150(1)F3(2)	F5DDF4150(1)F3(2)
1.50	63	6.2	12.1	13.4	10.0	0.0047	5DDF4150(1)B3(2)	F5DDF4150(1)B3(2)
1.50	63	6.2	12.1	13.4	10.0	0.0068	5DDF4150(1)N3(2)	F5DDF4150(1)N3(2)
1.50	63	6.2	12.1	13.4	10.0	0.01	5DDF4150(1)D3(2)	F5DDF4150(1)D3(2)
1.50	63	6.2	12.1	13.4	10.0	0.047	5DDF4150(1)R3(2)	F5DDF4150(1)R3(2)
1.50	63	6.2	12.1	13.4	10.0	0.068	5DDF4150(1)T3(2)	F5DDF4150(1)T3(2)
1.50	63	6.2	12.1	13.4	10.0	0.1	5DDF4150(1)S3(2)	F5DDF4150(1)S3(2)
0.10	100	5.2	11.1	13.4	10.0	0.00001	5DEF3100(1)U2(2)	F5DEF3100(1)U2(2)
0.10	100	5.2	11.1	13.4	10.0	0.000022	5DEF3100(1)V2(2)	F5DEF3100(1)V2(2)
0.10	100	5.2	11.1	13.4	10.0	0.000047	5DEF3100(1)W2(2)	F5DEF3100(1)W2(2)
0.10	100	5.2	11.1	13.4	10.0	0.000068	5DEF3100(1)X2(2)	F5DEF3100(1)X2(2)
0.10	100	5.2	11.1	13.4	10.0	0.0001	5DEF3100(1)E2(2)	F5DEF3100(1)E2(2)
0.10	100	5.2	11.1	13.4	10.0	0.00022	5DEF3100(1)G2(2)	F5DEF3100(1)G2(2)
0.10	100	5.2	11.1	13.4	10.0	0.00047	5DEF3100(1)A2(2)	F5DEF3100(1)A2(2)
0.10	100	5.2	11.1	13.4	10.0	0.00068	5DEF3100(1)H2(2)	F5DEF3100(1)H2(2)
0.10	100	5.2	11.1	13.4	10.0	0.001	5DEF3100(1)C2(2)	F5DEF3100(1)C2(2)
0.10	100	5.2	11.1	13.4	10.0	0.0022	5DEF3100(1)F2(2)	F5DEF3100(1)F2(2)
0.10	100	5.2	11.1	13.4	10.0	0.0047	5DEF3100(1)B2(2)	F5DEF3100(1)B2(2)
0.10	100	5.2	11.1	13.4	10.0	0.0068	5DEF3100(1)N2(2)	F5DEF3100(1)N2(2)
0.10	100	5.2	11.1	13.4	10.0	0.01	5DEF3100(1)D2(2)	F5DEF3100(1)D2(2)
0.10	100	5.2	11.1	13.4	10.0	0.047	5DEF3100(1)R2(2)	F5DEF3100(1)R2(2)
0.10	100	5.2	11.1	13.4	10.0	0.068	5DEF3100(1)T2(2)	F5DEF3100(1)T2(2)
0.10	100	5.2	11.1	13.4	10.0	0.1	5DEF3100(1)S2(2)	F5DEF3100(1)S2(2)
0.22	100	5.2	11.1	13.4	10.0	0.00001	5DEF3220(1)U2(2)	F5DEF3220(1)U2(2)
0.22	100	5.2	11.1	13.4	10.0	0.000022	5DEF3220(1)V2(2)	F5DEF3220(1)V2(2)
0.22	100	5.2	11.1	13.4	10.0	0.000047	5DEF3220(1)W2(2)	F5DEF3220(1)W2(2)
0.22	100	5.2	11.1	13.4	10.0	0.000068	5DEF3220(1)X2(2)	F5DEF3220(1)X2(2)
0.22	100	5.2	11.1	13.4	10.0	0.0001	5DEF3220(1)E2(2)	F5DEF3220(1)E2(2)
0.22	100	5.2	11.1	13.4	10.0	0.00022	5DEF3220(1)G2(2)	F5DEF3220(1)G2(2)
0.22	100	5.2	11.1	13.4	10.0	0.00047	5DEF3220(1)A2(2)	F5DEF3220(1)A2(2)
0.22	100	5.2	11.1	13.4	10.0	0.00068	5DEF3220(1)H2(2)	F5DEF3220(1)H2(2)
0.22	100	5.2	11.1	13.4	10.0	0.001	5DEF3220(1)C2(2)	F5DEF3220(1)C2(2)
0.22	100	5.2	11.1	13.4	10.0	0.0022	5DEF3220(1)F2(2)	F5DEF3220(1)F2(2)
0.22	100	5.2	11.1	13.4	10.0	0.0047	5DEF3220(1)B2(2)	F5DEF3220(1)B2(2)
0.22	100	5.2	11.1	13.4	10.0	0.0068	5DEF3220(1)N2(2)	F5DEF3220(1)N2(2)
0.22	100	5.2	11.1	13.4	10.0	0.01	5DEF3220(1)D2(2)	F5DEF3220(1)D2(2)
0.22	100	5.2	11.1	13.4	10.0	0.047	5DEF3220(1)R2(2)	F5DEF3220(1)R2(2)
0.22	100	5.2	11.1	13.4	10.0	0.068	5DEF3220(1)T2(2)	F5DEF3220(1)T2(2)
0.22	100	5.2	11.1	13.4	10.0	0.1	5DEF3220(1)S2(2)	F5DEF3220(1)S2(2)
0.33	100	5.2	11.1	13.4	10.0	0.00001	5DEF3330(1)U2(2)	F5DEF3330(1)U2(2)
0.33	100	5.2	11.1	13.4	10.0	0.000022	5DEF3330(1)V2(2)	F5DEF3330(1)V2(2)
0.33	100	5.2	11.1	13.4	10.0	0.000047	5DEF3330(1)W2(2)	F5DEF3330(1)W2(2)
0.33	100	5.2	11.1	13.4	10.0	0.000068	5DEF3330(1)X2(2)	F5DEF3330(1)X2(2)

(1) Insert lead and packaging code. See Ordering Options Table for available options.

(2) K = 10%, M = 20%.

Table 1 – Ratings & Part Number Reference cont'd

Capacitance Value (µF)	VDC	Max Dimensions in mm			Lead Spacing (p)	Ceramic Cap (µF)	New KEMET Part Number	Legacy Part Number
		B	H	L				
0.33	100	5.2	11.1	13.4	10.0	0.0001	5DEF3330(1)E2(2)	F5DEF3330(1)E2(2)
0.33	100	5.2	11.1	13.4	10.0	0.00022	5DEF3330(1)G2(2)	F5DEF3330(1)G2(2)
0.33	100	5.2	11.1	13.4	10.0	0.00047	5DEF3330(1)A2(2)	F5DEF3330(1)A2(2)
0.33	100	5.2	11.1	13.4	10.0	0.00068	5DEF3330(1)H2(2)	F5DEF3330(1)H2(2)
0.33	100	5.2	11.1	13.4	10.0	0.001	5DEF3330(1)C2(2)	F5DEF3330(1)C2(2)
0.33	100	5.2	11.1	13.4	10.0	0.0022	5DEF3330(1)F2(2)	F5DEF3330(1)F2(2)
0.33	100	5.2	11.1	13.4	10.0	0.0047	5DEF3330(1)B2(2)	F5DEF3330(1)B2(2)
0.33	100	5.2	11.1	13.4	10.0	0.0068	5DEF3330(1)N2(2)	F5DEF3330(1)N2(2)
0.33	100	5.2	11.1	13.4	10.0	0.01	5DEF3330(1)D2(2)	F5DEF3330(1)D2(2)
0.33	100	5.2	11.1	13.4	10.0	0.047	5DEF3330(1)R2(2)	F5DEF3330(1)R2(2)
0.33	100	5.2	11.1	13.4	10.0	0.068	5DEF3330(1)T2(2)	F5DEF3330(1)T2(2)
0.33	100	5.2	11.1	13.4	10.0	0.1	5DEF3330(1)S2(2)	F5DEF3330(1)S2(2)
0.47	100	5.2	11.1	13.4	10.0	0.00001	5DEF3470(1)U2(2)	F5DEF3470(1)U2(2)
0.47	100	5.2	11.1	13.4	10.0	0.000022	5DEF3470(1)V2(2)	F5DEF3470(1)V2(2)
0.47	100	5.2	11.1	13.4	10.0	0.000047	5DEF3470(1)W2(2)	F5DEF3470(1)W2(2)
0.47	100	5.2	11.1	13.4	10.0	0.000068	5DEF3470(1)X2(2)	F5DEF3470(1)X2(2)
0.47	100	5.2	11.1	13.4	10.0	0.0001	5DEF3470(1)E2(2)	F5DEF3470(1)E2(2)
0.47	100	5.2	11.1	13.4	10.0	0.00022	5DEF3470(1)G2(2)	F5DEF3470(1)G2(2)
0.47	100	5.2	11.1	13.4	10.0	0.00047	5DEF3470(1)A2(2)	F5DEF3470(1)A2(2)
0.47	100	5.2	11.1	13.4	10.0	0.00068	5DEF3470(1)H2(2)	F5DEF3470(1)H2(2)
0.47	100	5.2	11.1	13.4	10.0	0.001	5DEF3470(1)C2(2)	F5DEF3470(1)C2(2)
0.47	100	5.2	11.1	13.4	10.0	0.0022	5DEF3470(1)F2(2)	F5DEF3470(1)F2(2)
0.47	100	5.2	11.1	13.4	10.0	0.0047	5DEF3470(1)B2(2)	F5DEF3470(1)B2(2)
0.47	100	5.2	11.1	13.4	10.0	0.0068	5DEF3470(1)N2(2)	F5DEF3470(1)N2(2)
0.47	100	5.2	11.1	13.4	10.0	0.01	5DEF3470(1)D2(2)	F5DEF3470(1)D2(2)
0.47	100	5.2	11.1	13.4	10.0	0.047	5DEF3470(1)R2(2)	F5DEF3470(1)R2(2)
0.47	100	5.2	11.1	13.4	10.0	0.068	5DEF3470(1)T2(2)	F5DEF3470(1)T2(2)
0.47	100	5.2	11.1	13.4	10.0	0.1	5DEF3470(1)S2(2)	F5DEF3470(1)S2(2)
0.56	100	5.2	11.1	13.4	10.0	0.00001	5DEF3560(1)U2(2)	F5DEF3560(1)U2(2)
0.56	100	5.2	11.1	13.4	10.0	0.000022	5DEF3560(1)V2(2)	F5DEF3560(1)V2(2)
0.56	100	5.2	11.1	13.4	10.0	0.000047	5DEF3560(1)W2(2)	F5DEF3560(1)W2(2)
0.56	100	5.2	11.1	13.4	10.0	0.000068	5DEF3560(1)X2(2)	F5DEF3560(1)X2(2)
0.56	100	5.2	11.1	13.4	10.0	0.0001	5DEF3560(1)E2(2)	F5DEF3560(1)E2(2)
0.56	100	5.2	11.1	13.4	10.0	0.00022	5DEF3560(1)G2(2)	F5DEF3560(1)G2(2)
0.56	100	5.2	11.1	13.4	10.0	0.00047	5DEF3560(1)A2(2)	F5DEF3560(1)A2(2)
0.56	100	5.2	11.1	13.4	10.0	0.00068	5DEF3560(1)H2(2)	F5DEF3560(1)H2(2)
0.56	100	5.2	11.1	13.4	10.0	0.001	5DEF3560(1)C2(2)	F5DEF3560(1)C2(2)
0.56	100	5.2	11.1	13.4	10.0	0.0022	5DEF3560(1)F2(2)	F5DEF3560(1)F2(2)
0.56	100	5.2	11.1	13.4	10.0	0.0047	5DEF3560(1)B2(2)	F5DEF3560(1)B2(2)
0.56	100	5.2	11.1	13.4	10.0	0.0068	5DEF3560(1)N2(2)	F5DEF3560(1)N2(2)
0.56	100	5.2	11.1	13.4	10.0	0.01	5DEF3560(1)D2(2)	F5DEF3560(1)D2(2)
0.56	100	5.2	11.1	13.4	10.0	0.047	5DEF3560(1)R2(2)	F5DEF3560(1)R2(2)
0.56	100	5.2	11.1	13.4	10.0	0.068	5DEF3560(1)T2(2)	F5DEF3560(1)T2(2)
0.56	100	5.2	11.1	13.4	10.0	0.1	5DEF3560(1)S2(2)	F5DEF3560(1)S2(2)
1.00	100	5.2	11.1	13.4	10.0	0.00001	5DEF4100(1)U2(2)	F5DEF4100(1)U2(2)
1.00	100	5.2	11.1	13.4	10.0	0.000022	5DEF4100(1)V2(2)	F5DEF4100(1)V2(2)
1.00	100	5.2	11.1	13.4	10.0	0.000047	5DEF4100(1)W2(2)	F5DEF4100(1)W2(2)
1.00	100	5.2	11.1	13.4	10.0	0.000068	5DEF4100(1)X2(2)	F5DEF4100(1)X2(2)
1.00	100	5.2	11.1	13.4	10.0	0.0001	5DEF4100(1)E2(2)	F5DEF4100(1)E2(2)
1.00	100	5.2	11.1	13.4	10.0	0.00022	5DEF4100(1)G2(2)	F5DEF4100(1)G2(2)
1.00	100	5.2	11.1	13.4	10.0	0.00047	5DEF4100(1)A2(2)	F5DEF4100(1)A2(2)
1.00	100	5.2	11.1	13.4	10.0	0.00068	5DEF4100(1)H2(2)	F5DEF4100(1)H2(2)
1.00	100	5.2	11.1	13.4	10.0	0.001	5DEF4100(1)C2(2)	F5DEF4100(1)C2(2)
1.00	100	5.2	11.1	13.4	10.0	0.0022	5DEF4100(1)F2(2)	F5DEF4100(1)F2(2)
1.00	100	5.2	11.1	13.4	10.0	0.0047	5DEF4100(1)B2(2)	F5DEF4100(1)B2(2)
1.00	100	5.2	11.1	13.4	10.0	0.0068	5DEF4100(1)N2(2)	F5DEF4100(1)N2(2)
1.00	100	5.2	11.1	13.4	10.0	0.01	5DEF4100(1)D2(2)	F5DEF4100(1)D2(2)
1.00	100	5.2	11.1	13.4	10.0	0.047	5DEF4100(1)R2(2)	F5DEF4100(1)R2(2)
1.00	100	5.2	11.1	13.4	10.0	0.068	5DEF4100(1)T2(2)	F5DEF4100(1)T2(2)
Capacitance Value (µF)	VDC	B (mm)	H (mm)	L (mm)	Lead Spacing (p)	Ceramic Cap (µF)	New KEMET Part Number	Legacy Part Number

(1) Insert lead and packaging code. See Ordering Options Table for available options.

(2) K = 10%, M = 20%.

Table 1 – Ratings & Part Number Reference cont'd

Capacitance Value (µF)	VDC	Max Dimensions in mm			Lead Spacing (p)	Ceramic Cap (µF)	New KEMET Part Number	Legacy Part Number
		B	H	L				
1.00	100	5.2	11.1	13.4	10.0	0.1	5DEF4100(1)S2(2)	F5DEF4100(1)S2(2)
1.20	100	6.2	12.1	13.4	10.0	0.00001	5DEF4120(1)U3(2)	F5DEF4120(1)U3(2)
1.20	100	6.2	12.1	13.4	10.0	0.000022	5DEF4120(1)V3(2)	F5DEF4120(1)V3(2)
1.20	100	6.2	12.1	13.4	10.0	0.000047	5DEF4120(1)W3(2)	F5DEF4120(1)W3(2)
1.20	100	6.2	12.1	13.4	10.0	0.000068	5DEF4120(1)X3(2)	F5DEF4120(1)X3(2)
1.20	100	6.2	12.1	13.4	10.0	0.0001	5DEF4120(1)E3(2)	F5DEF4120(1)E3(2)
1.20	100	6.2	12.1	13.4	10.0	0.00022	5DEF4120(1)G3(2)	F5DEF4120(1)G3(2)
1.20	100	6.2	12.1	13.4	10.0	0.00047	5DEF4120(1)A3(2)	F5DEF4120(1)A3(2)
1.20	100	6.2	12.1	13.4	10.0	0.00068	5DEF4120(1)H3(2)	F5DEF4120(1)H3(2)
1.20	100	6.2	12.1	13.4	10.0	0.001	5DEF4120(1)C3(2)	F5DEF4120(1)C3(2)
1.20	100	6.2	12.1	13.4	10.0	0.0022	5DEF4120(1)F3(2)	F5DEF4120(1)F3(2)
1.20	100	6.2	12.1	13.4	10.0	0.0047	5DEF4120(1)B3(2)	F5DEF4120(1)B3(2)
1.20	100	6.2	12.1	13.4	10.0	0.0068	5DEF4120(1)N3(2)	F5DEF4120(1)N3(2)
1.20	100	6.2	12.1	13.4	10.0	0.01	5DEF4120(1)D3(2)	F5DEF4120(1)D3(2)
1.20	100	6.2	12.1	13.4	10.0	0.047	5DEF4120(1)R3(2)	F5DEF4120(1)R3(2)
1.20	100	6.2	12.1	13.4	10.0	0.068	5DEF4120(1)T3(2)	F5DEF4120(1)T3(2)
1.20	100	6.2	12.1	13.4	10.0	0.1	5DEF4120(1)S3(2)	F5DEF4120(1)S3(2)
1.50	100	6.2	12.1	13.4	10.0	0.00001	5DEF4150(1)U3(2)	F5DEF4150(1)U3(2)
1.50	100	6.2	12.1	13.4	10.0	0.000022	5DEF4150(1)V3(2)	F5DEF4150(1)V3(2)
1.50	100	6.2	12.1	13.4	10.0	0.000047	5DEF4150(1)W3(2)	F5DEF4150(1)W3(2)
1.50	100	6.2	12.1	13.4	10.0	0.000068	5DEF4150(1)X3(2)	F5DEF4150(1)X3(2)
1.50	100	6.2	12.1	13.4	10.0	0.0001	5DEF4150(1)E3(2)	F5DEF4150(1)E3(2)
1.50	100	6.2	12.1	13.4	10.0	0.00022	5DEF4150(1)G3(2)	F5DEF4150(1)G3(2)
1.50	100	6.2	12.1	13.4	10.0	0.00047	5DEF4150(1)A3(2)	F5DEF4150(1)A3(2)
1.50	100	6.2	12.1	13.4	10.0	0.00068	5DEF4150(1)H3(2)	F5DEF4150(1)H3(2)
1.50	100	6.2	12.1	13.4	10.0	0.001	5DEF4150(1)C3(2)	F5DEF4150(1)C3(2)
1.50	100	6.2	12.1	13.4	10.0	0.0022	5DEF4150(1)F3(2)	F5DEF4150(1)F3(2)
1.50	100	6.2	12.1	13.4	10.0	0.0047	5DEF4150(1)B3(2)	F5DEF4150(1)B3(2)
1.50	100	6.2	12.1	13.4	10.0	0.0068	5DEF4150(1)N3(2)	F5DEF4150(1)N3(2)
1.50	100	6.2	12.1	13.4	10.0	0.01	5DEF4150(1)D3(2)	F5DEF4150(1)D3(2)
1.50	100	6.2	12.1	13.4	10.0	0.047	5DEF4150(1)R3(2)	F5DEF4150(1)R3(2)
1.50	100	6.2	12.1	13.4	10.0	0.068	5DEF4150(1)T3(2)	F5DEF4150(1)T3(2)
1.50	100	6.2	12.1	13.4	10.0	0.1	5DEF4150(1)S3(2)	F5DEF4150(1)S3(2)
Capacitance Value (µF)	VDC	B (mm)	H (mm)	L (mm)	Lead Spacing (p)	Ceramic Cap (µF)	New KEMET Part Number	Legacy Part Number

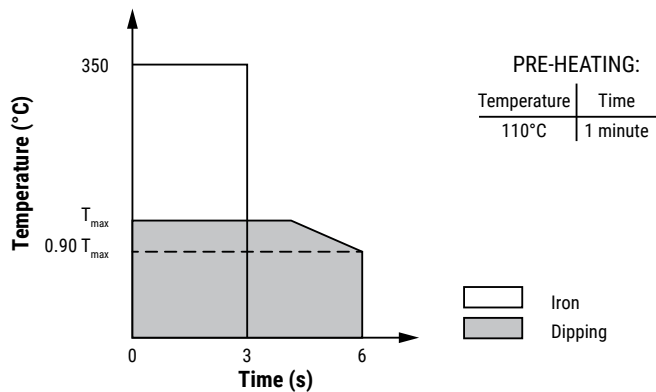
(1) Insert lead and packaging code. See Ordering Options Table for available options.

(2) K = 10%, M = 20%.

Maximum Soldering Temperature

In order to achieve optimal solderability, we suggest the following:

- Set the temperature so that the maximum temperature inside the element is below 160°C.
- Solder within the following temperature profiles, especially for iron soldering:

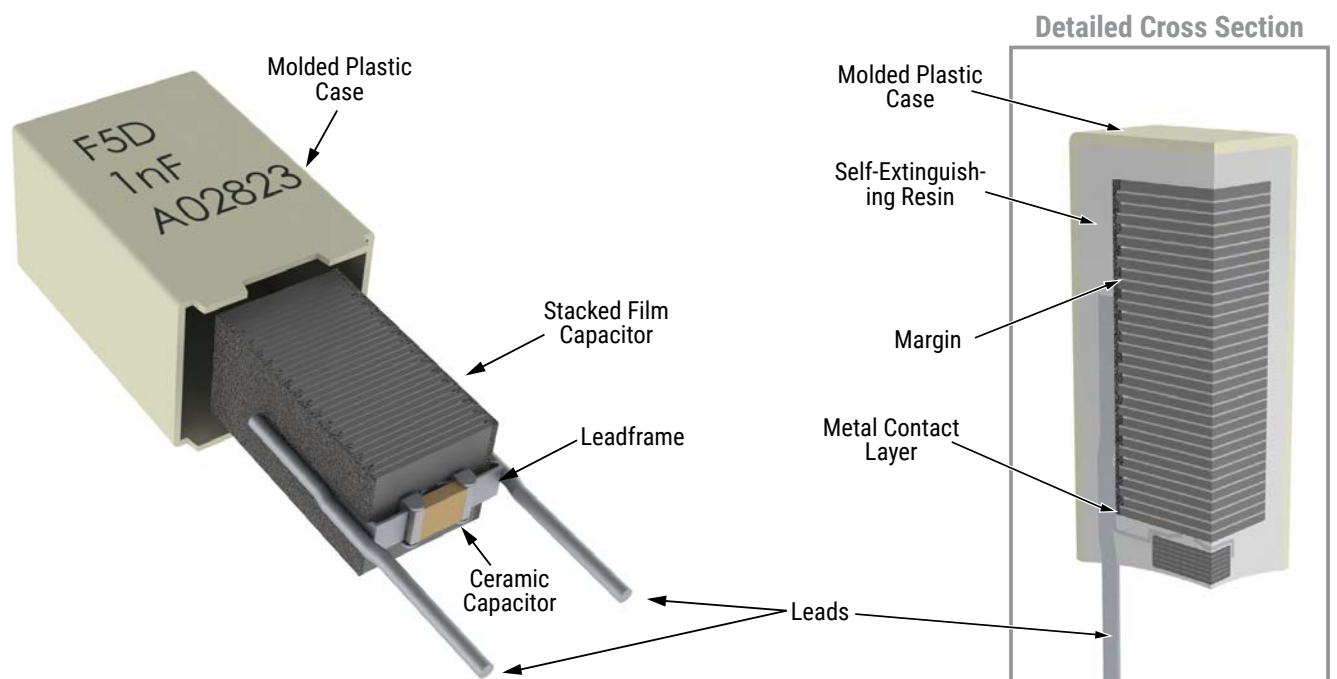


Box series: $T_{max} = 275^{\circ}\text{C}$ for 4 seconds

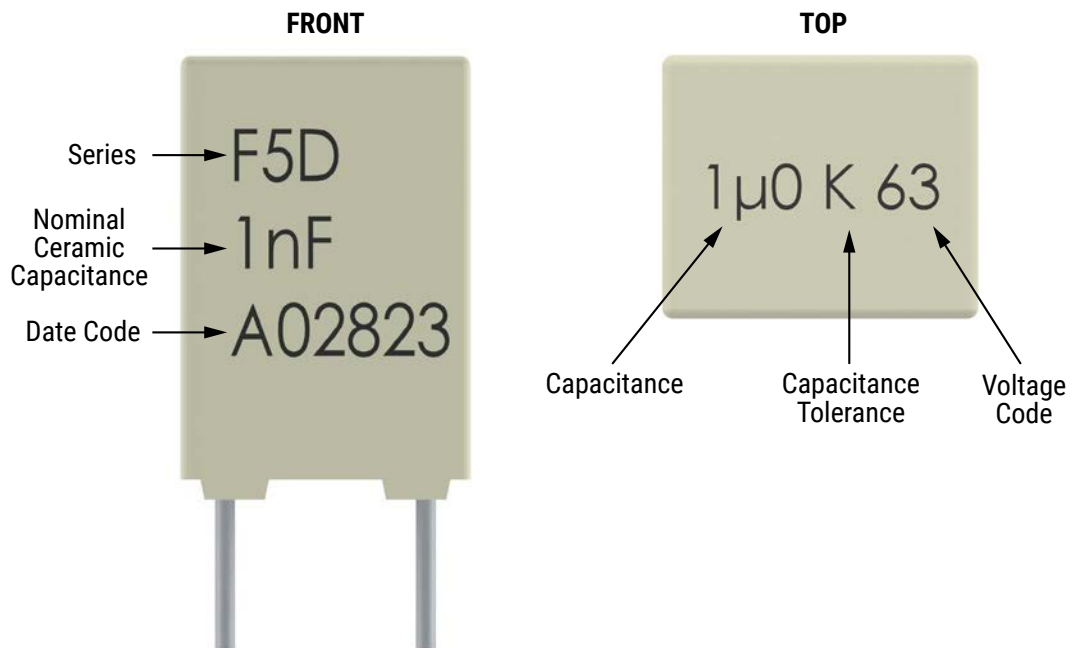
General Conditions

- If two solderings are required, allow for recovery time until the temperature on the capacitor surface is below 50°C.
- Avoid passing through the adhesive curing oven when fixing surface-mount parts in combination with through-hole parts. Insert through-hole parts only after curing the surface-mount parts.
- Avoid reflow soldering by combining the lead type with surface-mount parts.

Construction



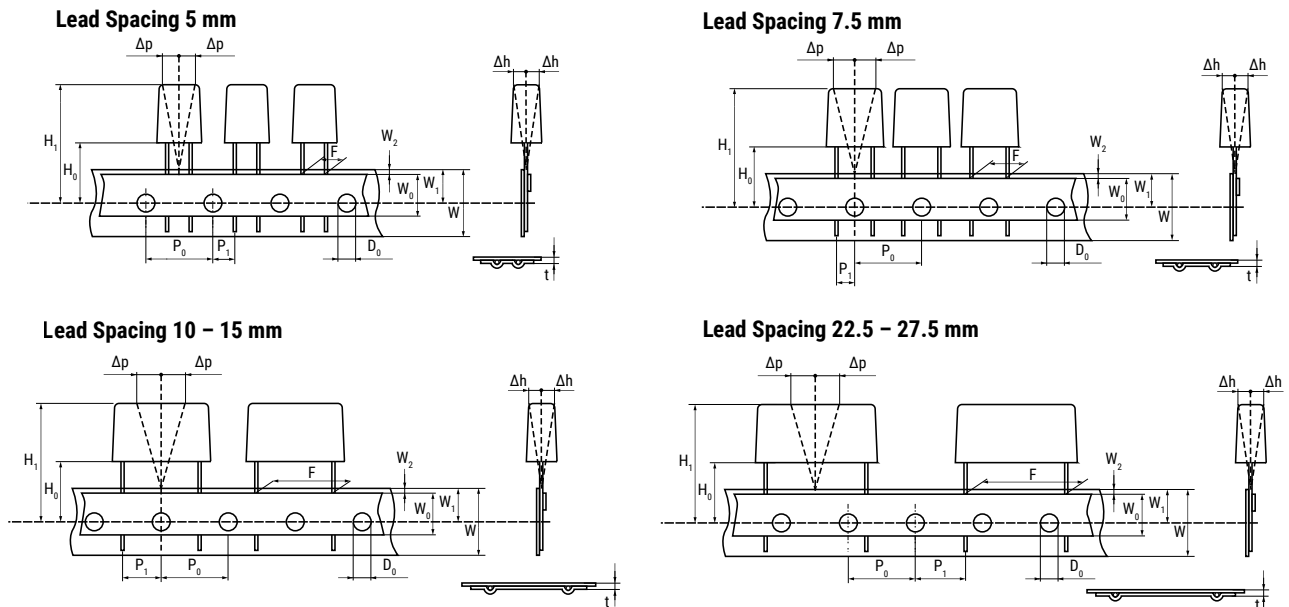
Marking



Packaging Quantities

Lead Spacing	Thickness (mm)	Height (mm)	Length (mm)	Bulk Short Leads	Bulk Long Leads	Standard Reel 355 mm	Large Reel 500 mm	Ammo
5	4.6	9.6	7.4	1,500	2,000	1,400		1,900
	5.1	10.1	7.5	1,000	1,500	1,200		1,700
	6.1	11.1	7.5	2,000	1,000	1,000		1,400
	7.3	13.1	7.5	1,500	750	800		1,150
10	5.2	11.1	13.4	1,300	2,000	600	1,250	800
	6.2	12.1	13.4	1,000	1,800	500	1,000	680

Lead Taping & Packaging (IEC 60286-2)



Taping Specification

	Dimensions in mm								Standard IEC 60286-2
Lead Spacing	+0.6/-0.1	F	5	7.5	10	15	22.5	27.5	F
Carrier Tape Width	+1/-0.5	W	18	18	18	18	18	18	18 ^{+1/-0.5}
Hold-down Tape Width	Minimum	W ₀	6	6	9	10	10	10	
Position of Sprocket Hole	±0.5	W ₁	9	9	9	9	9	9	9 ^{+0.75/-0.5}
Distance Between Tapes	Maximum	W ₂	3	3	3	3	3	3	3
Sprocket Hole Diameter	±0.2	D ₀	4	4	4	4	4	4	4
Feed Hole Lead Spacing	±0.2 ⁽¹⁾	P ₀ ⁽³⁾	12.7	12.7	12.7	12.7	12.7	12.7	12.7
Distance Lead – Feed Hole	±0.7	P ₁	3.85	3.75	7.7	5.2	7.8	5.3	P ¹
Deviation Tape – Plane	Maximum	Δp	1.3	1.3	1.3	1.3	1.3	1.3	1.3
Lateral Deviation	±2	Δh	2	2	2	2	2	2	2
Total Thickness	±0.2	t	0.7	0.7	0.7	0.7	0.9 ^{MAX}	0.9 ^{MAX}	0.9 ^{MAX}
Sprocket Hole/Cap Body	±0.5	H ₀ ⁽²⁾	18.5 ^{±0.5}	18.5 ^{±0.5}	18.5 ^{±0.5}	18.5 ^{±0.5}	18.5 ^{±0.5}	18.5 ^{±0.5}	18 ^{+2/-0}

(1) Maximum cumulative feed hole error, 1 mm per 20 parts.

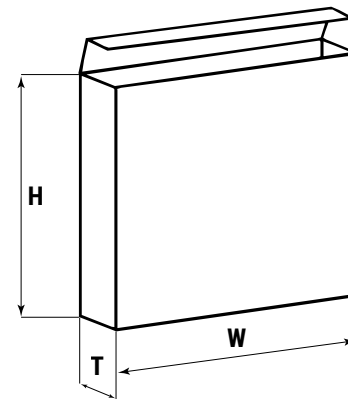
(2) 16.5 mm available on request.

(3) 15 mm available on request (F ≥ 10 mm).

Lead Taping & Packaging (IEC 60286-2) cont.

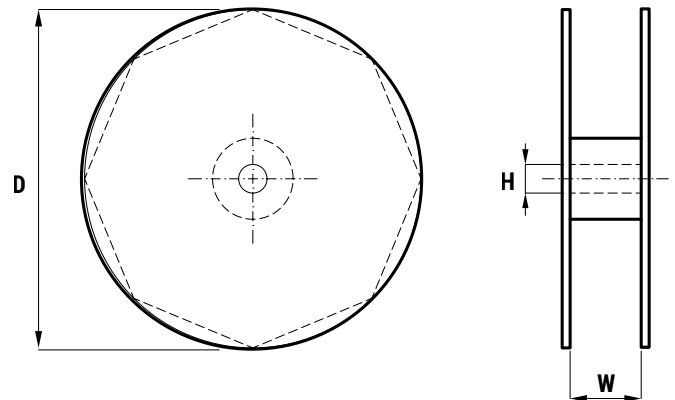
Ammo Specifications

Series	Dimensions (mm)		
	H	W	T
R4x, R4x+R, R7x, RSB	360	340	59
F5A, F5B, F5D			
F6xx, F8xx			
PHExxx, PMExxx, PMRxxx	330	330	50



Reel Specifications

Series	Dimensions (mm)		
	D	H	W
R4x, R4x+R, R7x, RSB	355 500	30	55 (maximum)
F5A, F5B, F5D		25	
F6xx, F8xx			
PHExxx, PMExxx, PMRxxx	360 500	30	46 (maximum)



Manufacturing Date Code (IEC-60062)

Y = Year, Z = Month			
Year	Code	Month	Code
2010	A	January	1
2011	B	February	2
2012	C	March	3
2013	D	April	4
2014	E	May	5
2015	F	June	6
2016	H	July	7
2017	J	August	8
2018	K	September	9
2019	L	October	0
2020	M	November	N
2021	N	December	D
2022	P		
2023	R		
2024	S		
2025	T		
2026	U		
2027	V		
2028	W		
2029	X		
2030	A		

KEMET Electronics Corporation Sales Offices

For a complete list of our global sales offices, please visit www.kemet.com/sales.

Disclaimer

All product specifications, statements, information and data (collectively, the "Information") in this datasheet are subject to change. The customer is responsible for checking and verifying the extent to which the Information contained in this publication is applicable to an order at the time the order is placed. All Information given herein is believed to be accurate and reliable, but it is presented without guarantee, warranty, or responsibility of any kind, expressed or implied.

Statements of suitability for certain applications are based on KEMET Electronics Corporation's ("KEMET") knowledge of typical operating conditions for such applications, but are not intended to constitute – and KEMET specifically disclaims – any warranty concerning suitability for a specific customer application or use. The Information is intended for use only by customers who have the requisite experience and capability to determine the correct products for their application. Any technical advice inferred from this Information or otherwise provided by KEMET with reference to the use of KEMET's products is given gratis, and KEMET assumes no obligation or liability for the advice given or results obtained.

Although KEMET designs and manufactures its products to the most stringent quality and safety standards, given the current state of the art, isolated component failures may still occur. Accordingly, customer applications which require a high degree of reliability or safety should employ suitable designs or other safeguards (such as installation of protective circuitry or redundancies) in order to ensure that the failure of an electrical component does not result in a risk of personal injury or property damage.

Although all product-related warnings, cautions and notes must be observed, the customer should not assume that all safety measures are indicated or that other measures may not be required.

Warning: The component F5D is a combined passive suppression component. Overloading with high voltage or voltage transients can strongly damage the component with the risk of fire.

Note: For technical reasons, the ceramic capacitor may not be covered fully by resin. This does not constitute grounds for complaint. The ceramic capacitors are specified for the same range of temperature and climate as the combined elements. They do not require protection by the resin.

KEMET is a registered trademark of KEMET Electronics Corporation.

X-ON Electronics

Largest Supplier of Electrical and Electronic Components

Click to view similar products for [Film Capacitors](#) category:

Click to view products by [Kemet](#) manufacturer:

Other Similar products are found below :

[F450KG153J250ALH0J](#) [750-1018](#) [FKP1-1000160010P15](#) [FKP1-1500160010P15](#) [82EC1100DQ50K](#) [MMWAF150KME](#)
[PFR5101J100J11L16.5TA18](#) [PME261JB5220KR19T0](#) [A521HH333M035C](#) [A561ED221M450A](#) [QXJ2E474KTPT](#) [QXL2B333KTPT](#)
[QXM2G104K](#) [DMT2P22](#) [EEC2G505HQA406](#) [B32520C6332K000](#) [B32522C6104K000](#) [B32523Q3155J](#) [B32676E6755K](#)
[C3B2AD44400B20K](#) [CB027C0473J--](#) [SCD105K122A3-22](#) [2N3155](#) [F601BL225K063CL60A](#) [FKP1-2202KV5P15](#) [FKS3-680040010P10](#)
[445450-1](#) [B32523Q0475K000](#) [46KR415050M1K](#) [4BSNBX4100ZBFJ](#) [4DCNAQ4450ZA0J](#) [MKP383510063JKP2T0](#) [MKT 1813-368-015](#)
[MKT182022263473](#) [4055292001](#) [WMC08P22](#) [WMF1S15](#) [WMF4S68](#) [EEC2E106HQA405](#) [EEC2G805HQA415](#) [82DC3100DQ50J](#)
[82EC2150DQ50K](#) [WMF4D68](#) [WMF1D68](#) [B25620B118K883](#) [ECW-F2105JAC](#) [B25620B158K883](#) [66MD2100CK7AK](#) [A521HH471M450C](#)
[97F8038](#)