

## Overview

FNC Cylindrical Case Filters are compact, plastic case EMI filters that feature a high level of performance in a small form factor. Two current ratings of 10 A and 16 A are offered, along with low-cost encapsulation and faston terminals for quick connection.

## Applications

Typical applications include consumer goods, domestic appliances, vending machines, and other business equipment.

## Technical Specifications

Item	Parameters/Characteristics
Rated Voltage	275 VAC
Rated Frequency	50 – 60 Hz
Rated Current	10 and 16 A
Rated Temperature	40°C
Temperature Range	-25°C to +85°C
Climate Category	25/085/21
Voltage Test	P → P 1,700 VDC P → E 3,000 VDC



## Approvals

The FNC is designed according to IEC/EN/UL 60939 and is approved according to UL1283.

Standard	Certification Body	File Number
UL 1283 5th Edition	UL	E192374
CSA C22.2 No. 8	UL	E192374

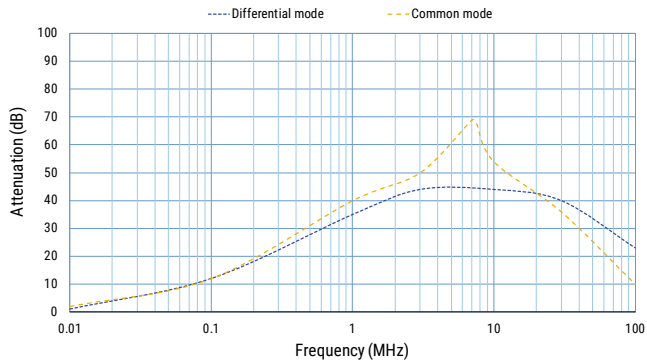
## Environmental Compliance

KEMET EMI filters are RoHS Compliant.

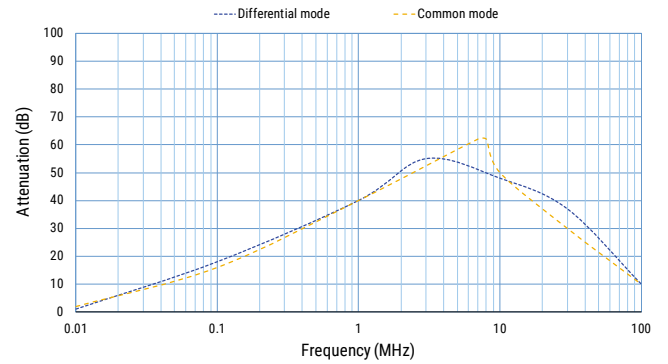


## Typical Insertion Loss

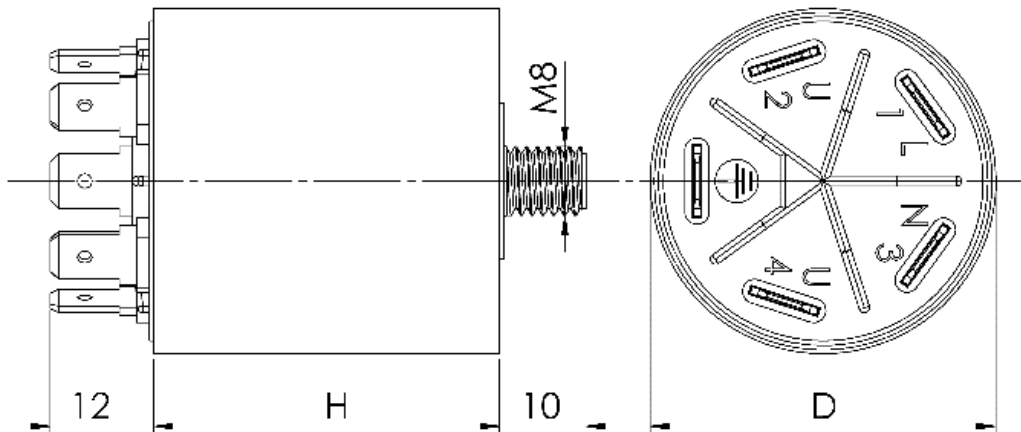
10 A



16 A



## Mechanical Dimensions – Millimeters



Part Number	Dimensions		Weight (g)
	D (mm)	H (mm)	
FNC1005154472A	40	40	65
FNC1005154103A	40	40	70
FNC1005474273A	40	40	75
FNC1610474472A	40	50	105
FNC1610474103A	40	50	110
FNC1610474273A	40	50	115

- Self-extinguishing plastic case
- Sealed with self-extinguishing resin
- 5 faston 6.3 x 0.8 mm terminals
- Plastic fixing stud M8 x 10 mm

Tolerances, if not stated, according to ISO 2768-c.

## KEMET Electronics Corporation Sales Offices

For a complete list of our global sales offices, please visit [www.kemet.com/sales](http://www.kemet.com/sales).

---

### Disclaimer

All product specifications, statements, information and data (collectively, the "Information") in this datasheet are subject to change. The customer is responsible for checking and verifying the extent to which the Information contained in this publication is applicable to an order at the time the order is placed. All Information given herein is believed to be accurate and reliable, but it is presented without guarantee, warranty, or responsibility of any kind, expressed or implied.

Statements of suitability for certain applications are based on KEMET Electronics Corporation's ("KEMET") knowledge of typical operating conditions for such applications, but are not intended to constitute – and KEMET specifically disclaims – any warranty concerning suitability for a specific customer application or use. The Information is intended for use only by customers who have the requisite experience and capability to determine the correct products for their application. Any technical advice inferred from this Information or otherwise provided by KEMET with reference to the use of KEMET's products is given gratis, and KEMET assumes no obligation or liability for the advice given or results obtained.

Although KEMET designs and manufactures its products to the most stringent quality and safety standards, given the current state of the art, isolated component failures may still occur. Accordingly, customer applications which require a high degree of reliability or safety should employ suitable designs or other safeguards (such as installation of protective circuitry or redundancies) in order to ensure that the failure of an electrical component does not result in a risk of personal injury or property damage.

Although all product-related warnings, cautions and notes must be observed, the customer should not assume that all safety measures are indicated or that other measures may not be required.

*KEMET is a registered trademark of KEMET Electronics Corporation.*

## X-ON Electronics

Largest Supplier of Electrical and Electronic Components

*Click to view similar products for [Power Line Filters](#) category:*

*Click to view products by [Kemet](#) manufacturer:*

Other Similar products are found below :

[6609019-3](#) [6609026-5](#) [6609030-6](#) [6609973-2](#) [D30A](#) [7-1609090-5](#) [F2810](#) [F4456A](#) [F7382Z](#) [F7863Z](#) [FAHAV3100ZC000](#) [806276](#) [FN2020B-1-06](#) [FN2080B-10-06](#) [FN2410H-32-33](#) [FP144](#) [FS4153-20-06](#) [FS4353-500-99](#) [12-MMB-030-11-D](#) [DB4-393](#) [15811T200](#) [20B1](#) [LC630](#) [2B1](#) [1609080-2](#) [1609993-8](#) [1-6609070-1](#) [F1100AA02](#) [F1150CC10](#) [F1500CA10](#) [F1500CA15](#) [F4041Z](#) [F7585E](#) [1B1](#) [FN2070A-16-06](#) [FN2090A-20-06](#) [FN2090B-12-06](#) [FN2090Z-1-06](#) [FN2410H-25-33](#) [FN2410H-60-34](#) [FN2410H-8-44](#) [FN2412H-8-44](#) [FN323B-6-01](#) [FN3258H-130-35](#) [FN610R-3-06](#) [20EHQ7](#) [20EHZ7](#) [20K1](#) [30B6](#) [3K1](#)