

Ceramic Capacitors



TOTAL QUALITY APPROACH

Arcotronics Italia S.p.A, founded in 1962 as Arco S.p.A, has worldwide operations with manufacturing facilities in Italy, Germany, U.K. and Bulgaria and a total of approximately 1500 employees.

Arcotronics is one of the world's leading producers of plastic film and metallized plastic film capacitors for electric and electronic applications. Arcotronics also produces a variety of wet tantalum capacitors, power factor correction devices and RFI (Radio Frequency Interference) filters for the suppression of electromagnetic noise.

The development and production of Arcotronics capacitors is geared to technologically advanced fields of applications where high reliability combined with large production volumes is essential.

Arcotronics Machinery Division supports this commitment by designing and producing sophisticated state-of-the-art production equipment and automatic assembly lines for the manufacturing of components.

The dynamic thrust of the modern electronic industry requires a highly reactive organization together with a product and service quality capable of meeting the customers' requirements throughout the world.

A strategic key for increasing Arcotronics competitiveness in the world market is the continuous improvement of its quality management system. The certification according to ISO 9001 and QS 9000 standards, whose strict requirements are demanded by the automotive market, witness some of the most important achievements of Arcotronics throughout the years.

The development and involvement of human resources at all levels, through a suitable state of mind and the use of appropriate methods and techniques, are still to be considered as the most effective factors for the constant improvement and expansion of Arcotronics presence on the market, proving its technical and technological capability, the quality of its products/service and organization.

ISO 9001

QS 9000



GENERAL INFORMATION

Ceramic Capacitors

Please refer to our Internet address (<http://www.kemet.com>) for updated information on KEMET products, service and news.

| <i>CONTENTS</i> | <i>Page</i> |
|---|----------------|
| General Information | 2 - 13 |
| Technical terms explanation | 2 |
| Application note-safety conditions | 2 |
| Product Code System and Date Code | 11 |
| Packaging | 12 |
| Ceramic capacitors | 13 - 23 |
| Contents | 14 |
| KHB series Class 2 General purpose 1 - 2KVdc | 17 |
| KHC series Class 1 General purpose 1 - 2KVdc | 19 |
| KJN series Y1 (250Vac/400Vac) / X1 (440Vac) | 21 |
| KJY series Y2 (250Vac) / X1 (400Vac) | 23 |

Statements of suitability for certain applications are based on our knowledge of typical operating conditions for such applications, but are not intended to constitute – and we specifically disclaim – any warranty concerning suitability for a specific customer application or use. This information is intended for use only by customers who have the requisite experience and capability to determine the correct products for their application. Any technical advice inferred from this information or otherwise provided by us with reference to the use of our products is given gratis, and we assume no obligation or liability for the advice given or results obtained.

GENERAL INFORMATION

TECHNICAL TERMS EXPLANATION

Rated capacitance

Capacitance referred to 1 kHz, $20\pm 1^{\circ}\text{C}$, $65\pm 2\%$ of relative humidity and 96 ± 10 kPa.
In case of doubt please refer to IEC 60068-1, sub-clause 5.2.

Capacitance tolerance

Admitted capacitance deviation from the rated capacitance.

Rated temperature (T_R)

The maximum ambient temperature surrounding the capacitor or hottest contact point (e.g.: tracks), whichever is higher, at which the rated voltage, V_{dc} or V_{ac} at 50 Hz, may be continuously applied.

Rated voltage (V_R)

The maximum direct voltage or the maximum r.m.s. alternating voltage (50Hz) or the peak value of a pulse voltage which may be continuously applied to a capacitor at any temperature between the lower category temperature and the rated temperature.

Climatic category

The climatic category which the capacitor belongs to is expressed in numbers (standard IEC 60068-1: e.g.: 25/125/21).

The first number represents the lower category temperature (e.g.: -25°C); the second number the upper category temperature (e.g.: $+125^{\circ}\text{C}$) and the third number represents the number of days relevant to the damp heat test (e.g.: 21 days).

Dissipation factor ($\text{tg}\delta$)

The dissipation factor is the ratio between the resistive and the reactive part of the impedance of the capacitor submitted to a sinusoidal voltage of specified frequency.

Insulation resistance (I_r)

The insulation resistance is the ratio between an applied D.C. voltage and the resulting leakage current after a minute of charge. It is expressed in $M\Omega$.

APPLICATION NOTES - SAFETY CONDITIONS

1. Across-the-line and interference suppression applications

1.1 When a capacitor is used for this type of application it may be subject to a mains voltage on a permanent basis and to surges caused, for example, by lightning, power commutations etc.

In these working conditions the capacitor must be a component with a safety margin able to satisfy the main International Standards, e.g.:

- IEC 60384-14 (2nd Ed. 1993 + amendment 1-95) (International Standard)
- EN 132400 (similar to the previous) (European Standard)
- UL 1414, UL 1283 (American Standards)
- CSA C22.2 Nr. 1 (Canadian Standards)

For safety reasons it is advisable to use components approved according to the above mentioned standards.

1.2 Main safety tests related to IEC 60384-14 (2nd Ed. 1993 + amendment 1-95) and EN132400 are listed at page 8.

2. Special working conditions

- Humid ambient.

If used for a long time in a humid ambient, the capacitor might absorb humidity and oxidize the electrodes causing breakdown of the capacitor.

3. Standards

The international standards for the ceramic capacitor are:

- EN 130600 and IEC 60384-8 fixed capacitors of ceramic dielectric, class 1;
- EN 130700 and IEC 60384-9 fixed capacitors of ceramic dielectric, class 2;
- EN 132400: UL 1414; IEC 60384-14.2; CSA C22.2 RFI and safety capacitor.

GENERAL INFORMATION

4. General data

Ceramic capacitors are widely used in electronic circuit for coupling, decoupling and in filters. These different functions require specific capacitor properties.

Ceramic capacitors can be divided into two classes:

• Class 1

In these capacitors, ceramic materials are used which have a very high specific resistance, low dissipation factor up to higher frequencies and linear temperature dependence (ϵ_r from 80 up to 300).

A Class 1 capacitors are not sensitive to temperature changes, thus the capacitance value of a capacitor measured at a low temperature (e.g.: -25°C) will not significantly vary from the same capacitor measured at a higher temperature (e.g.: 75°C). EIA refers to these as “temperature compensating”, and are measured in ppm/ $^\circ\text{C}$. An example of such is found below:

NPO = $\pm 30\text{ppm}$ over a temperature range of -55 up to $+85^\circ\text{C}$

The material used has not ferroelectric properties and therefore they are not susceptible tho the ageing phenomenon.

They are used in such applications as oscillators and filter where low losses, capacitance drift compensation and narrow capacitance tolerances are demanded; the capacitance stability regardless of their temperature, also make them an excellent choice for applications in which frequency control is needed such as in radio or television tuners.

• Class 2

A Class 2 capacitor (e.g.: X7R, Y5V, Z5U) is made from ceramic materials that are derived from a barium titanate base which is temperature sensitive: these capacitors have a non-linear dependence of capacitance on temperature and voltage.

Examples of Class 2 Temperature Characteristics are below:

X7R = $\pm 15\%$ over a temperature range of -55 up to 125°C

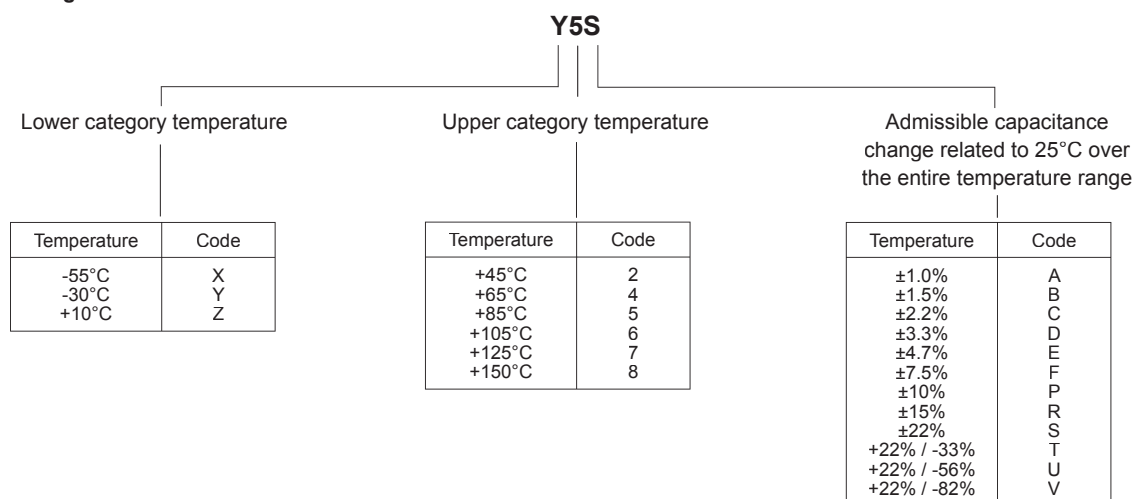
Y5V = $+22\% / -82\%$ over a temperature range of -30 up to 85°C

Additionally, capacitors made from barium titanate bases are ferroelectric and therefore susceptible to “ageing” in which a capacitor’s ability to hold capacitance will decrease over time if left in an unheated and/or uncharged state. They are used mainly as coupling, decoupling and filtering application where higher losses and reduced capacitance stability are permitted.

Marking of the temperature characteristics of capacitance for Class 2 ceramic capacitors

4.1 Marking of the temperature characteristics of capacitance for Class 2 ceramic capacitors

According to EIA STANDARD RS 198



GENERAL INFORMATION

4.2 Construction

The capacitance of a ceramic capacitor depends on the area of the electrodes (A), the thickness of the ceramic dielectric (t) and the dielectric constant of the ceramic material (ϵ_r):

$$C = \epsilon_r \cdot \epsilon_0 \cdot A/t$$

The rated voltage is dependent on the dielectric strength, which is mainly governed by the thickness of the ceramic dielectric and the ceramic structure. For this reason a reduction of the dielectric thickness is limited.

4.3 Manufacturing of ceramic capacitor

The raw materials are finely milled and carefully mixed. Thereafter the powder are calcined at temperatures between 1100 and 1300°C to achieve the required chemical composition. The resultant mass is reground and dopes and/or sintering means are added. The finely ground material is mixed with a solvent and binding matter.

4.4 Equivalent circuit for ceramic capacitor

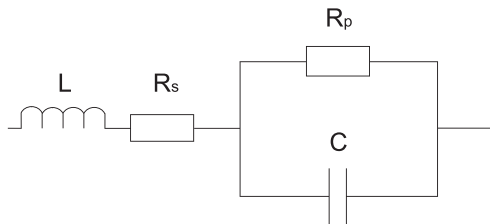


Fig.1 Equivalent circuit

- C = Capacitance between the two electrodes, plus the stray capacitance at the edges and between the leads.
- R_p = Resistance of insulation and dielectric. Generally is very high, and of decreasing importance with increasing frequency. R_p also represents the polarization losses of the material in an alternating electric field.
- R_s = Losses in the leads, the electrodes and the contacts. Up to several hundreds of MHz the current penetration depth is greater than the conductor thickness so that no skin-effect occurs, For ceramic capacitor R_s is extremely low.
- L = Inductance of the leads and the internal inductance of the capacitor; the latter, however, is almost negligible. The inductance is only important in high frequency applications, since the capacitor will act as an inductance when the frequency is higher than its resonance frequency.

4.5 Ceramic “ageing” of ceramic capacitor

Following the final heat treatment all Class 2 ceramic capacitor reduce their capacitance value with time approximately according to logarithmic law due to their special crystalline construction. This change is called “ageing”. If the capacitors are heat treated, for example when soldering, the capacity increases again to a higher value and the ageing process begins again. The level of this de-ageing is dependent on the temperature and the duration of the heat; an almost complete de-ageing is achieved at 150°C in one hour; these conditions also form the basis for reference measurements when testing.

The dissipation factor also ages, decreasing several times faster than the capacitance. The capacitance change per time decade (ageing constant) differs for the various types of ceramic, but typical value can be taken from the formula below:

$$K = \frac{100 \cdot (C_{t1} - C_{t2})}{C_{t1} \cdot \log_{10} (t1/t2)}$$

$$C_{t2} = C_{t1} \cdot (1 - K/100 \cdot \log_{10} [t1/t2])$$

where:

t1, t2 = Measuring time point (h)

C_{t1}, C_{t2} = capacitance values for the times t1 and t2

K = ageing constant (%)

GENERAL INFORMATION

The ageing constant may be declared by the manufacturer for a particular ceramic dielectric, or it may be determined by de-ageing the capacitor and measuring the capacitance at two known times thereafter.

Due to the ageing it is necessary to quote an age for reference measurements which can be related to the capacitance with fixed tolerance. According to EN 130700 this time period is 1000 hours since for practical purposes there is not much further loss of capacitance after this time.

If the shelf-life of the capacitor is known, the capacitance for $t = 1000$ h can be calculated with the ageing constant.

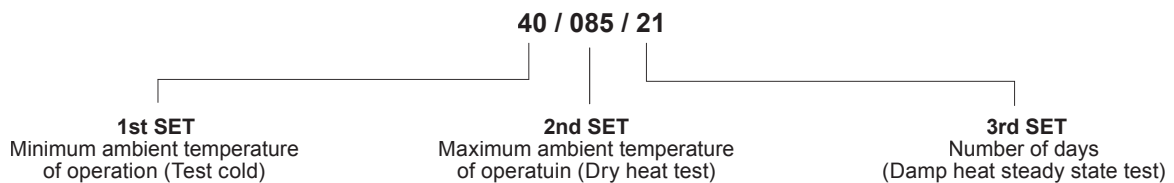
In order to avoid the influence of the ageing, it is important to de-age the capacitors before stress-testing. The following procedure is adopted:

- de-ageing at 150°C, 1 hour;
- storage for 24 hours at normal climate temperature;
- initial measurement;
- stress;
- de-ageing at 150°C, 1 hour;
- storage for 24 hours at normal climate temperature;
- final measurement

4.6 Climatic category

The large number of possible combinations of tests and severities may be reduced by a selection of a new standard groupings according to IEC 60068

According to EIA STANDARD RS 198



The large number of possible combinations of tests and severities may be reduced by the selection of a few standard groupings according to IEC 60068-1.

| CATEGORY EXAMPLES (according to IEC 60068-1) | |
|--|--|
| 25 / 085 / 04 | |
| 25 / 085 / 21 | |
| 40 / 085 / 21 | |
| 55 / 125 / 21 | |
| 55 / 125 / 56 | |

| First set two digits denoting the minimum ambient temperature of operation (Cold test) | |
|--|-------|
| 65 | -65°C |
| 55 | -55°C |
| 40 | -40°C |
| 25 | -25°C |
| 10 | -10°C |
| 00 | 0°C |
| 05 | +5°C |

| Second test three digits denoting the maximum ambient temperature (Dry heat test) | |
|---|--------|
| 155 | +155°C |
| 125 | +125°C |
| 110 | +110°C |
| 090 | +90°C |
| 085 | +85°C |
| 080 | +80°C |
| 075 | +75°C |
| 070 | +70°C |
| 065 | +65°C |
| 055 | +55°C |

| Third test two digits denoting the number of days of the damp heat steady test (Ca) | |
|---|---|
| 56 | 56 days |
| 21 | 21 days |
| 10 | 10 days |
| 04 | 04 days |
| 00 | The component is not required to be exposed to damp heat. |

GENERAL INFORMATION

4.7 Soldering

Ceramic capacitors are very sensitive to rapid changes in temperature. Subjecting the capacitor to excessive heating may result in thermal shocks that can crack the ceramic body. Similarly, excessive heating can cause the internal solder junction to melt.

4.8 Storage

The capacitor must not be stored in a corrosive atmosphere, where sulphide or chloride gas, acid, alkali or salt are present. Exposure of the components to moisture, should be avoided.

The solderability of the leads is not affected by storage of up to 24 months (temperature less than 30°C, relative humidity up to 60% RH).

GENERAL INFORMATION

5. Information on International Standards

- **SAFETY**

Electronic devices such as TV sets, radios, computers, stereos, hair dryers, washing machines, etc. are all connected to the mains power supply and all generate «noise». Since these devices, even when in the off mode, are continuously connected to the mains they must comply with rigorous safety standards. In addition, the noise they generate can be picked up by TV sets and radios in the form of visual and audible distortions and, in the case of computers, as malfunctions and errors. This noise must be filtered or suppressed.

- **MAIN INTERNATIONAL COMMITTEES**

- IEC (International Electrotechnical Commission)
- CEN (European Committee for Standardization / Comité Européen de Normalisation)
- CENELEC (European Committee for Electrotechnical Standardization / Comité Européen de Normalisation Electrotechnique)

Note: EN . . . (European Standard / Norme Européenne)

- **NEW EUROPEAN STANDARD (EN 132400)**

With the aim to standardize all the European National Standards and have only one Standard of reference in all the member countries of CENELEC, EN 132400 Standard was issued on 26th June, 1995 replacing all the European National Standards in force up to that date.

The European Standard EN 132400 is identical to the International Standard IEC 60384-14 2nd Edition 1993. The IEC and CENELEC Committees are working in order to have the two standards identical also in the name: the future name of the European Standard will be "EN 60384-14".

The old European National Standards used IEC 384-14, Edition 1981 as a reference.

Now the IEC 384-14 Edition 1981 has been replaced by IEC 60384-14 2nd Edition 1993.

CENELEC members are: Austria, Belgium, Czech Republic, Denmark, Finland, France, Germany, Greece, Hungary, Iceland, Ireland, Italy, Luxembourg, Malta, Netherlands, Norway, Portugal, Slovakia, Spain, Sweden, Switzerland, UK.

Effects of the coming into force of EN 132400 Standard:

- since 26th June 1995 it is no longer possible to request approvals according to the old European National Standards (VDE, ASEV, IMQ, etc.);
- any national body can issue the approval and its validity is recognized by the bodies of all the other CENELEC member countries with no need to repeat the tests;
- marking: the coordinating committee has released their unified logo (**ENEC mark** = European Norms Electrical Certification) that is recognised throughout Europe as being equivalent to the individual marks of countries. It is issued for Luminaries and components, IT equipment, transformers, switches, suppression capacitors and filters.

At present, the name of the standard EN 132400 or IEC 60384-14, is stamped near the logo of the institute performing the tests. Please note that if the component is approved according to the EN132400, it is no longer necessary to stamp the marking relevant to the old European National Standards;

- approval certificates relevant to the old European National Standards: they remained valid till to 26th June 2000.

GENERAL INFORMATION

- SIGNIFICANT TESTS OF THE IEC 60384-14 (EN 132400)**

Listed below you find the summary tables and some information on the most significant tests of the 60384-14 2nd Ed. (EN 132400) Standard (see table 1,2 and 3).

Table 1.

| Test | IEC60384-14 (EN 132400) (Present Standard) |
|---------------------------------------|---|
| Impulse voltage before Endurance test | YES |
| Active Flammability test | YES |
| Passive Flammability test | YES |

Table 2.

| Application | Peak pulse in service | Peak impulse before Endurance test | Sub-class |
|------------------------|---|--|-----------|
| High pulse application | $> 2.5 \text{ kV}; \leq 4.0 \text{ kV}$ | $4 \text{ kV} \quad C \leq 1\mu\text{F}$ $4/\sqrt{C} \text{ kV} \quad C > 1\mu\text{F}$ | X1 |
| General purpose | $\leq 2.5 \text{ kV}$ | $2,5 \text{ kV} \quad C \leq 1\mu\text{F}$ $2,5/\sqrt{C} \text{ kV} \quad C > 1\mu\text{F}$ | X2 |
| General purpose | $\leq 1.2 \text{ kV}$ | none | X3 |

Table 3.

| Type of insulation bridged | Rated voltage | Peak impulse before endurance test | Sub – class IEC 60384-14 2 nd Ed. (EN 132400) (Present Standard) |
|-----------------------------------|---|------------------------------------|---|
| Double or reinforced insulation | $\leq 500 \text{ Vac}$ | 8 kV | Y1 |
| Basic or supplementary insulation | $\geq 150 \text{ Vac} \leq 300 \text{ Vac}$ | 5 kV | Y2 |
| Basic or supplementary insulation | $\geq 150 \text{ Vac} \leq 250 \text{ Vac}$ | None | Y3 |
| Basic or supplementary insulation | $< 150 \text{ Vac}$ | 2.5kV | Y4 |

GENERAL INFORMATION

- **CCA (CENELEC Certification Agreement) and CB (Certification Body) Test Certificate:**

These have their origin from an agreement taken by the Certification Bodies. Following these agreements, certificates are issued which are called CCA and CB certificates.

These certificates allow the mutual recognition at a European (CCA) and world (CB) level and are particularly effective in case the reference standards are the EN ...

The countries accepting the CCA are:

Austria, Belgium, Czech Republic, Denmark, Finland, France, Germany, Greece, Hungary, Iceland, Ireland, Italy, Luxembourg, Netherlands, Norway, Portugal, Slovakia, Slovenia, Spain, Sweden, Switzerland, UK.

The countries accepting the CB are:

Australia*, Austria, Belgium, Canada*, China, Czech Republic, Denmark, Finland, France, Germany, Greece, Hungary, Iceland, India, Ireland, Israel, Italy, Japan, Korea Rep of, Netherlands, Norway, Poland, Russia, Singapore, Slovakia, Slovenian, South Africa, Spain, Sweden, Switzerland, Turkey, Ukraine, United Kingdom, U.S.A.*, Yugoslavia.

The countries with an asterisk may require additional tests to obtain the approval.

- **MAIN STANDARDS FOR SUPPRESSION CAPACITORS**

EUROPE

Reference Standard: EN 132400:1994 + A1,2,3:1998 + A4:2001

This standard, already in force, is identical to IEC 60384-14 2nd Edition 1993+A1: 1995. It harmonizes and supersedes any previous national standards into only one European Standard

U.S.A.

Reference Standard: UL 1414 and UL 1283

UL 1414: Across-the-line applications

- Max capacitance value: 1 μ F
- Max operating temperature: +85°C
- Max Voltage: 250Vac
- UL 1414 approval covers also 1283 approval (not viceversa)

UL 1283: Electromagnetic Interference filters

- The UL 1283 approval can be requested also for capacitance values higher than 1 μ F, temperatures higher than +85°C and voltages higher than 250Vac.

CANADA

Reference Standard: CAN/CSA C22.2N°1 and CAN/CSA 384-14

CAN/CSA C22.2 N°1 : Across-the-line applications

- Max capacitance value: 1 μ F
- Max operating temperature: +85°C

CAN/CSA 384-14: Across-the-line applications

- The **CAN/CSA 384-14** approval is identical to IEC 60384-14 2nd Edition 1993+A1:1995. It harmonizes and can be requested also for capacitance values higher than 1 μ F, temperatures higher than +85°C and voltages higher than 250Vac.

CHINA

Reference Standard: GB/IT14472-1998

From August 1st 2003 all the old marks have been replaced by:

- **CCC** (China Compulsory Certification) which is compulsory and it is foreseen only for a list of more critical products.
Capacitors are not included in this list (<http://www.cqc.com.cn/ccc/catalogureeng.pdf>)
- **CQC** is the general standard and mark of the new Body. It may be utilized in all other cases (e.g. for capacitors) and it is optional but very appreciated by Chinese Authorities and helpful in case it would become one day compulsory as per CCC.

GENERAL INFORMATION

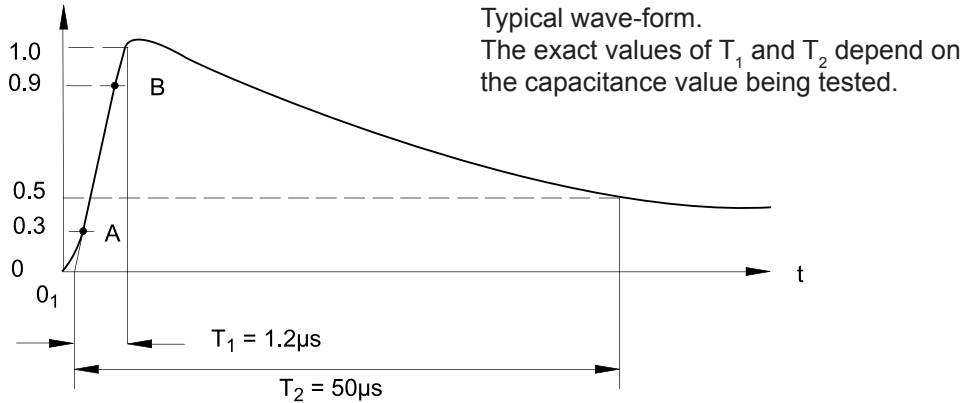
TESTS RELATED TO IEC 60384-14 (2nd edition '93 plus amendment A1: 1995) AND EN 132400

According to IEC 60384-14 (2nd Edition 1993 plus amendment A1: 1995) and EN132400 our Y1, Y2 and X1 suppression capacitors withstand the following tests (type test):

- IMPULSE VOLTAGE TEST (before ENDURANCE TEST)

$$V_{PEAK} = 8.0 \text{ kV (Class Y1)}$$

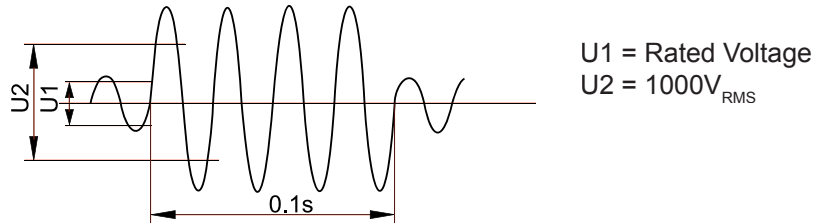
$$V_{PEAK} = 5.0 \text{ kV (Class Y2)}$$



- ENDURANCE TEST

The capacitors are tested for 1000 hours at upper category temperature with a voltage of $1.25 V_R$ for Class X2 and $1.7 V_R$ for Class Y2.

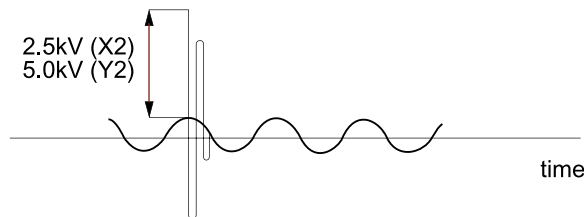
Every hour the test voltage is increased up to $1000 V_{RMS}/50\text{Hz}$ for a period of 0.1 s.



- ACTIVE FLAMMABILITY TEST - This test is not applicable to Y1 capacitor.

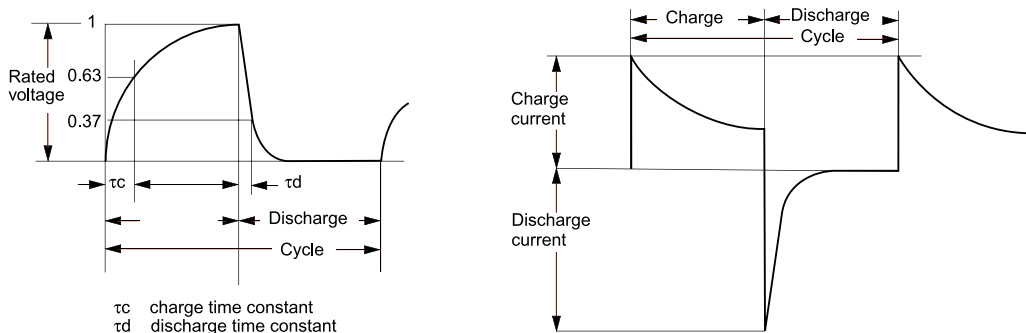
The capacitors are tested at the rated voltage (V_{ac}) at 50 Hz with superimposed 20 pulses at 4kV for Class X2 and 5kV for Class Y2 with an interval between the successive pulses of 5 seconds.

The rated voltage is kept for 2 min after the last discharge. At the end of the test the capacitor does not burn (control made with the cheese-cloth wrapped on the body of capacitors).



- CHARGE AND DISCHARGE TEST

The capacitors are subjected to 10000 cycles of charge and discharge at the rate of approximately one operation per second.



GENERAL INFORMATION

PRODUCT CODE SYSTEM AND DATE CODE



Digit 1 to 3 Series code.

Digit 4 to 6 Rated capacitance value.

Digit 4 to 5 indicate the first two digits Capacitance value and the 6 th digit indicates the number of zeros that must be added to obtain the Rated Capacitance in pF.

Digit 7. Capacitance tolerance:

| | | |
|-----------------------|-----|-----|
| Code letter | K | M |
| Capacitance tolerance | 10% | 20% |

Digit 8. d.c. or a.c Rated Voltage :

N=1000Vdc,

P=2000Vdc,

Q=440V/X1, 250Vac/Y1,

R=400Vac/X1, 250Vac/Y2

S=440Vac/X1, 400Vac/Y1,

Digit 9 to 10 Size (D max):

| D max | Digit 9 to 10 |
|-------|---------------|
| 7 | 28 |
| 8 | 31 |
| 9 | 35 |
| 10 | 39 |
| 11 | 43 |
| 12 | 47 |
| 13 | 51 |
| 14 | 55 |
| 15 | 59 |
| 16 | 63 |
| 17 | 67 |
| 18 | 71 |
| 20 | 79 |
| 22 | 87 |

Digit 11 Pitch (mm)

C=5.0

D=7.5

F= 10.0

G=12.5

Digit 12 Temperature characteristic code

A=Y5U or better

B= Y5V

C=SL

E=Y5R

G=Y5P

H=X7R

Digit 13 to 14 Mechanical version and or packaging: see the pages related to each series.

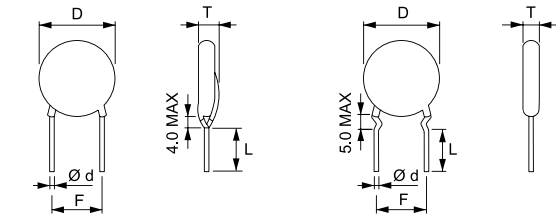
Digit 15 Internal code.

GENERAL INFORMATION

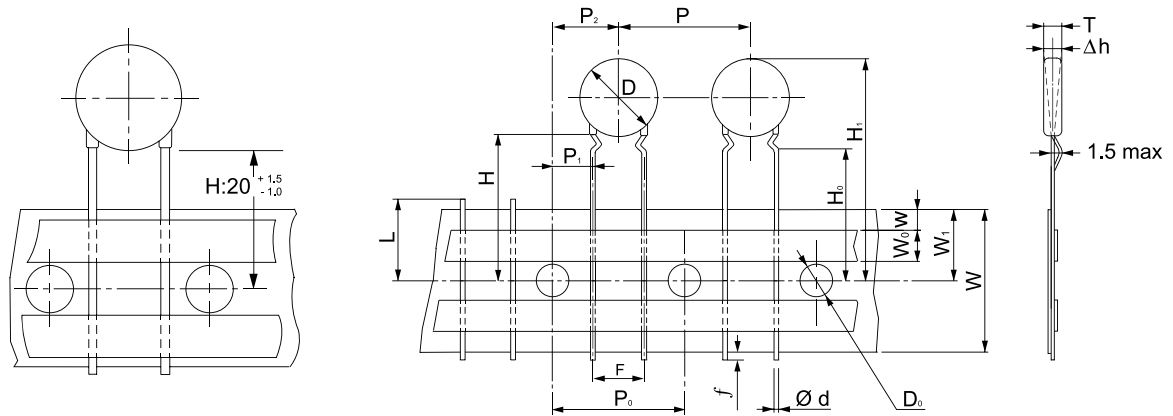
PACKAGING

Ceramic Disc Capacitor

• Ordering code

|  | Digit 13 | Digit 14 |
|---|----------------------------------|---------------------------------|
| | Lead style / Packaging | Lead length / Taped version |
| | A = Loose straight (std version) | A = 25 mm (std version) |
| | B = Loose kinked | B = 5 mm |
| | C = Reel straight | C = 8 mm |
| | D = Reel kinked | W = pitch of components 12.7 mm |
| | F = Ammopack straight | Z = pitch of components 25.4 mm |
| | G = Ammopack kinked | |

• Capacitors on tape



| Parameter | Symbol | Taping Specifications | | | | | Tolerance |
|--------------------------------------|----------------|------------------------|-----------|-----------|----------|------------|-----------|
| | | pitch 5 | pitch 7.5 | pitch 7.5 | pitch 10 | pitch 12.5 | |
| pitch of component | P | 12.7 | 12.7 | 25.4 | 25.4 | 25.4 | ±1.0 |
| feed-hole pitch * | P ₀ | 12.7 | 12.7 | 12.7 | 12.7 | 12.7 | ±0.3 |
| lead to lead distance | F | 5 ^{+0.8/-0.2} | 7.5±1.0 | 7.5±1.0 | 10±1.0 | 12.5±1.0 | - |
| feed-hole centre to lead centre | P ₁ | 3.85 | 8.95 | 8.95 | 7.62 | 6.45 | ±0.7 |
| hole centre to component centre | P ₂ | 6.35 | - | - | - | - | ±1.3 |
| body diameter | D | 11 max | 11 max | 11≤D≤16 | 16 max | 16 max | - |
| body thickness | T | 5.0 | | | | | - |
| lead diameter | Ø d | 0.6 | | | | | +/-0.1 |
| component alignment F-R | Δh | 0 | | | | | ±2.0 |
| tape width | W | 18.0 | | | | | +1.0/-0.5 |
| hold-down tape width | W ₀ | 5.0 | | | | | min |
| hole position | W ₁ | 9.0 | | | | | ±0.5 |
| hold-down tape position | W ₂ | 3.0 | | | | | max |
| height of component from tape centre | H | 20.0 | | | | | +1.5/-1.0 |
| lead wire clinch | H ₀ | 16.0 | | | | | ±0.5 |
| maximum component height | H ₁ | 32.25 | | | | 37.0 | - |
| lead wire protrusion | f | 1.0 | | | | | max |
| feed-hole diameter | D ₀ | 4.0 | | | | | ±0.2 |
| total tape thickness | t ₁ | 0.6 | | | | | ±0.3 |
| maximum thickness of tape and wire | t ₂ | 1.5 | | | | | - |

All dimensions are in mm

* Available also 15 mm.

GENERAL INFORMATION

PACKAGING

Ceramic Disc Capacitor

• Packaging quantities

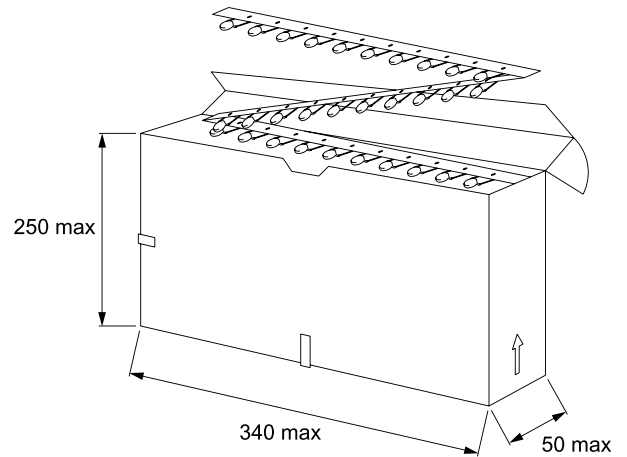
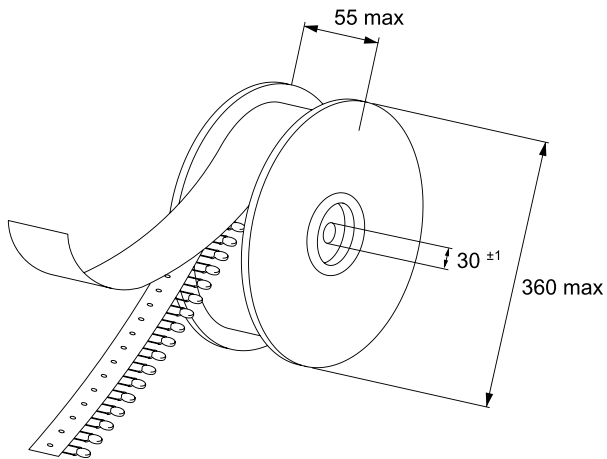
Table 1: Loose version

| Rated Cap | OUTER CARTON | |
|-------------------|--------------|-----------|
| | Leads length | Qty (pcs) |
| up to 3300pF | | 200 x 10 |
| 3900pF to 10000pF | ≥24 mm | 100 x 10 |
| | <24 mm | 200 x 10 |

Table 2: Taped version

| Pitch | D (max) | Pitch of component | Reel | Ammopack |
|-------|---------|--------------------|----------|----------|
| 5 | 8 mm | 12.7 | 1500 x 2 | 1000 |
| | 8<D≤11 | 12.7 | 1000 x 2 | 1000 |
| 7.5 | ≤8 mm | 12.7 | 1500 x 2 | 1000 |
| | 9≤D≤11 | 12.7 | 1000 x 2 | 1000 |
| 10 | >11 mm | 25.4 | 500 x 2 | 500 |
| | 8≤D≤16 | 25.4 | 500 x 2 | 500 |
| 12.5 | 8≤D≤16 | 25.4 | 300 x 2 | 300 |

• Reel and box dimensions



All dimensions are in mm



Ceramic Capacitors

CONTENTS:

| Series | Description | Page |
|--------|--|------|
| KHB | Class 2 General purpose 1 - 2KVdc | 15 |
| KHC | Class 1 General purpose 1 - 2KVdc | 17 |
| KJN | Y1 (250Vac/400Vac) / X1 (440Vac) 4000Vac 60s | 19 |
| KJY | Y2 (250Vac) / X1 (400Vac) 2600Vac 60s | 21 |

KHB Ceramic disc Capacitor

Class 2 – Y5P, 1KV and 2KV

■ **Description**

- The capacitors consist of a ceramic disc both sides of which are silver plated. Connection leads are made of tinned copper having a diameter of $\phi d=0,65\text{mm}$. The capacitor are supplied with straight leads. Encapsulation is made of flammable resistant epoxy resin in accordance with UL94 V0.

■ **Applications**

- General purpose

■ **Features**

- High reliability
- High temperature operation, up to 85°C
- High capacitance in small size
- Flanged leads

■ **Marking**

ARCOTRONICS' logo: 

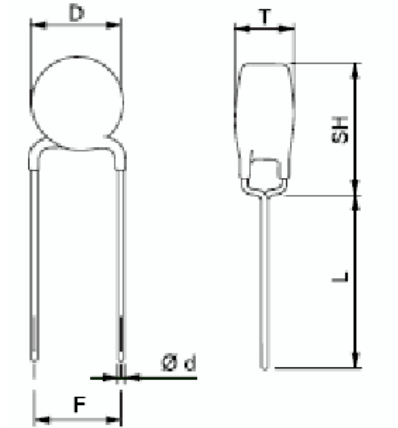
Series: KHB

Capacitance expressed in nF

■ **1kV (D.C.)**

Max thickness $T=4,5\text{mm}$ Standard version: lead length $L=25 \pm 1\text{mm}$ / straight leads / loose packaging.

| C (pF) | Tol % | D (max) (mm) | SH max straight (mm) | SH max kinked (mm) | Part Number | Temperature Coefficient |
|-----------|----------|-----------------|----------------------------|--------------------------|------------------|------------------------------------|
| | | | | | | |
| 100 | ± 10 | 5,5 | 7,5 | 8,5 | KHB101KN24-G--A | Y5P -30°C to 85°C $\pm 10\%$ |
| 120 | ± 10 | 5,5 | 7,5 | 8,5 | KHB121KN24-G --A | |
| 150 | ± 10 | 5,5 | 7,5 | 8,5 | KHB151KN24-G --A | |
| 180 | ± 10 | 5,5 | 7,5 | 8,5 | KHB181KN24-G --A | |
| 220 | ± 10 | 5,5 | 7,5 | 8,5 | KHB221KN24-G --A | |
| 270 | ± 10 | 5,5 | 7,5 | 8,5 | KHB271KN24-G --A | |
| 330 | ± 10 | 5,5 | 7,5 | 8,5 | KHB331KN24-G --A | |
| 390 | ± 10 | 5,5 | 7,5 | 8,5 | KHB391KN24-G --A | |
| 470 | ± 10 | 5,5 | 7,5 | 8,5 | KHB471KN24-G --A | |
| 560 | ± 10 | 6,5 | 8,5 | 9,5 | KHB561KN28-G --A | |
| 680 | ± 10 | 6,5 | 8,5 | 9,5 | KHB681KN28-G --A | |
| 820 | ± 10 | 6,5 | 8,5 | 9,5 | KHB821KN28-G --A | |
| 1000 | ± 10 | 6,5 | 8,5 | 9,5 | KHB102KN28-G --A | |
| 1200 | ± 10 | 7,5 | 9,5 | 10,5 | KHB122KN31-G --A | |
| 1500 | ± 10 | 7,5 | 9,5 | 10,5 | KHB152KN31-G --A | |
| 1800 | ± 10 | 8,5 | 10,5 | 11,5 | KHB182KN35-G --A | |
| 2200 | ± 10 | 9,5 | 11,5 | 12,5 | KHB222KN39-G --A | |
| 2700 | ± 10 | 10,5 | 12,5 | 13,5 | KHB272KN43-G --A | |
| 3300 | ± 10 | 12,5 | 14,5 | 16,5 | KHB332KN51-G --A | |
| 3900 | ± 10 | 12,5 | 14,5 | 16,5 | KHB392KN51-G --A | |
| 4700 | ± 10 | 12,5 | 14,5 | 16,5 | KHB472KN51-G --A | |

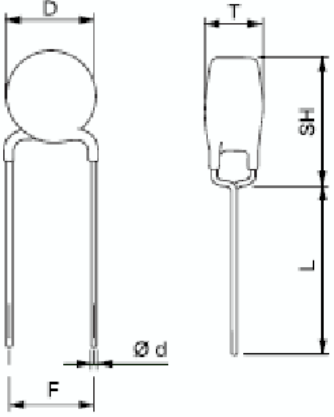


All dimensions are in mm

Digit 11: C=pitch 5mm; D=pitch 7,5mm
Digit 13 and 14: Mechanical version and packaging (see page 12)

■ 2kV (D.C.)

Max thickness T=4,5mm Standard version: lead length L=25 ± 1mm / straight leads / loose packaging.



All dimensions are in mm

| C | Tol | D (max) | SH max straight | SH max kinked | Part Number | Temperature Coefficient |
|------|-----|---------|-----------------|---------------|------------------|-------------------------------|
| (pF) | % | (mm) | (mm) | (mm) | | |
| 100 | ±10 | 7,5 | 9,5 | 10,5 | KHB101KP31-G--A | Y5P -30°C to 85°C ± 10% |
| 120 | ±10 | 7,5 | 9,5 | 10,5 | KHB121KP31-G --A | |
| 150 | ±10 | 7,5 | 9,5 | 10,5 | KHB151KP31-G --A | |
| 180 | ±10 | 7,5 | 9,5 | 10,5 | KHB181KP31-G --A | |
| 220 | ±10 | 8,5 | 10,5 | 11,5 | KHB221KP35-G --A | |
| 270 | ±10 | 8,5 | 10,5 | 11,5 | KHB271KP35-G --A | |
| 330 | ±10 | 8,5 | 10,5 | 11,5 | KHB331KP35-G --A | |
| 390 | ±10 | 8,5 | 10,5 | 11,5 | KHB391KP35-G --A | |
| 470 | ±10 | 8,5 | 10,5 | 11,5 | KHB471KP35-G --A | |
| 560 | ±10 | 9,5 | 11,5 | 12,5 | KHB561KP39-G --A | |
| 680 | ±10 | 9,5 | 11,5 | 12,5 | KHB681KP39-G --A | |
| 820 | ±10 | 10,5 | 12,5 | 13,5 | KHB821KP43-G --A | |
| 1000 | ±10 | 10,5 | 12,5 | 13,5 | KHB102KP31-G --A | |
| 1200 | ±10 | 11,5 | 13,5 | 14,5 | KHB122KP47-G --A | |
| 1500 | ±10 | 11,5 | 13,5 | 14,5 | KHB152KP47-G --A | |
| 1800 | ±10 | 12,5 | 14,5 | 15,5 | KHB182KP51-G --A | |
| 2200 | ±10 | 12,5 | 14,5 | 15,5 | KHB222KP51-G --A | |
| 2700 | ±10 | 14,5 | 16,5 | 17,5 | KHB272KP59-G --A | |
| 3300 | ±10 | 15,5 | 17,5 | 18,5 | KHB332KP63-G --A | |
| 3900 | ±10 | 17,5 | 19,5 | 20,5 | KHB392KP71-G --A | |
| 4700 | ±10 | 17,5 | 19,5 | 20,5 | KHB472KP71-G --A | |
| 5600 | ±10 | 19,5 | 21,5 | 22,5 | KHB562KP79-G --A | |
| 6800 | ±10 | 19,5 | 21,5 | 22,5 | KHB682KP79-G --A | |

Digit 11: C=pitch 5mm; D=pitch 7,5mm

Digit 13 and 14: Mechanical version and packaging (see page 12)

■ ELECTRICAL CHARACTERISTICS.

The capacitors meet the essential requirements of IEC 60384-9, and EIA 198. Unless stated otherwise all electrical value apply at an ambient temperature of 20°C ±3°C, at normal atmospheric conditions.

| Description | Value | |
|---|--|----------------|
| | 1kV | 2kV |
| Capacitance range at 1KHz, 1V (RMS) | 100 to 10000pF | 100 to 10000pF |
| Capacitance tolerance | ± 10% | ± 10% |
| D.C. test voltage, duration 1 minute | 2 times of the rated voltage (50mA and under) for 1 to 5 seconds | |
| Insulation resistance at 500V (DC) | ≥ 10,000MΩ | |
| Temperature coefficients on capacitance Y5P | ±10% -30°C to +85°C | |
| Dissipation factor at 1KHz, 1V (RMS), 25 °C | Tan δ ≤ 2,5% | |
| Operating temperature range | -30 to +85°C | |
| Climatic category | 25/85/21 | |

KHC Ceramic disc Capacitor

Class 1 - SL, 1KV and 2KV

Description

- The capacitors consist of a ceramic disc both sides of which are silver plated. Connection leads are made of tinned copper having a diameter of $\phi d=0,65\text{mm}$. The capacitor are supplied with straight leads. Encapsulation is made of flammable resistant epoxy resin in accordance with UL94 V0.


Applications

- General purpose

Features

- High reliability
- High temperature operation, up to 125°C
- High capacitance in small size
- Flanged leads

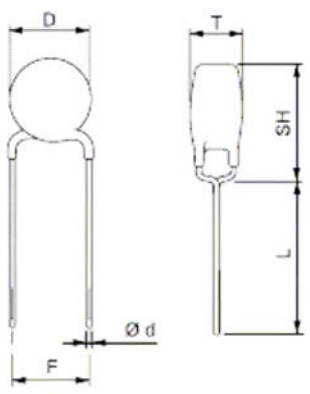
Marking

ARCOTRONICS' logo: 
 Series: KHC
 Capacitance expressed in nF

1kV (D.C.)

Max thickness T=4,5mm Standard version: lead length L=25 ± 1mm / straight leads / loose packaging.

| C (pF) | Tol* % | D (max) (mm) | SH max straight (mm) | SH max kinked (mm) | Part Number | Temperature Coefficient |
|-----------|-----------|-----------------|----------------------------|--------------------------|------------------|--|
| | | | | | | |
| 15 | ±10 | 5,5 | 7,5 | 8,5 | KHC150KN24-C--A | SL -25°C to 85°C +350- 1000ppm/°C |
| 22 | ±10 | 5,5 | 7,5 | 8,5 | KHC220KN24-C --A | |
| 56 | ±10 | 5,5 | 7,5 | 8,5 | KHC560KN24-C --A | |
| 68 | ±10 | 5,5 | 7,5 | 8,5 | KHC680KN24-C --A | |
| 82 | ±10 | 6,5 | 8,5 | 9,5 | KHC820KN28-C --A | |
| 100 | ±10 | 6,5 | 8,5 | 9,5 | KHC101KN28-C --A | |
| 120 | ±10 | 7,5 | 9,5 | 10,5 | KHC121KN31-C --A | |
| 150 | ±10 | 7,5 | 9,5 | 10,5 | KHC151KN31-C --A | |
| 180 | ±10 | 8,5 | 10,5 | 11,5 | KHC181KN35-C --A | |
| 220 | ±10 | 8,5 | 10,5 | 11,5 | KHC221KN35-C --A | |
| 270 | ±10 | 9,5 | 11,5 | 12,5 | KHC271KN39-C --A | |
| 330 | ±10 | 10,5 | 12,5 | 13,5 | KHC331KN43-C --A | |
| 390 | ±10 | 10,5 | 12,5 | 13,5 | KHC391KN43-C --A | |
| 470 | ±10 | 12,5 | 14,5 | 15,5 | KHC471KN51-C --A | |
| 560 | ±10 | 14,5 | 16,5 | 17,5 | KHC561KN59-C --A | |
| | | | | | | |
| | | | | | | |
| | | | | | | |
| | | | | | | |



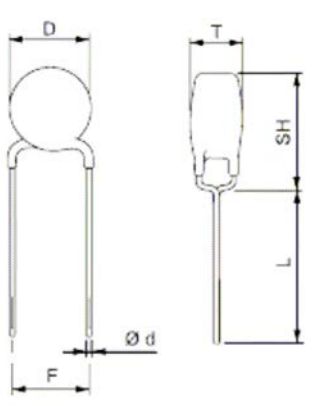
All dimensions are in mm

Digit 11: C=pitch 5mm; D=pitch 7,5mm
 Digit 13 and 14: Mechanical version and packaging (see page 12)

* It's available also 5% of tolerance (special version)

▪ 2kV (D.C.)

Max thickness T=4,5mm Standard version: lead length L=25 ± 1mm / straight leads / loose packaging.

|  | C | Tol | D (max) | SH max straight | SH max kinked | Part Number | Temperature Coefficient |
|---|------|-----|---------|-----------------|---------------|------------------|--|
| | (pF) | % | (mm) | (mm) | (mm) | | |
| | 22 | ±10 | 8,5 | 9,5 | 10,5 | KHC220KP35-C--A | SL -25°C to 85°C +350- 1000ppm/°C |
| | 56 | ±10 | 8,5 | 9,5 | 10,5 | KHC560KP35-C --A | |
| | 68 | ±10 | 9,5 | 10,5 | 11,5 | KHC680KP39-C --A | |
| | 82 | ±10 | 9,5 | 10,5 | 11,5 | KHC820KP39-C --A | |
| | 100 | ±10 | 9,5 | 10,5 | 11,5 | KHC101KP39-C --A | |
| | 120 | ±10 | 10,5 | 11,5 | 12,5 | KHC121KP43-C --A | |
| | 150 | ±10 | 10,5 | 11,5 | 12,5 | KHC151KP43-C --A | |
| | 180 | ±10 | 12,5 | 13,5 | 14,5 | KHC181KP51-C --A | |
| | 220 | ±10 | 13,5 | 14,5 | 15,5 | KHC221KP51-C --A | |
| | 270 | ±10 | 14,5 | 15,5 | 16,5 | KHC271KP59-C --A | |
| | 330 | ±10 | 15,5 | 16,5 | 17,5 | KHC331KP63-C --A | |
| | 390 | ±10 | 16,5 | 17,5 | 18,5 | KHC391KP67-C --A | |
| | | | | | | | |
| | | | | | | | |
| | | | | | | | |
| | | | | | | | |
| | | | | | | | |
| | | | | | | | |
| | | | | | | | |
| | | | | | | | |
| | | | | | | | |
| | | | | | | | |

All dimensions are in mm

Digit 11: C=pitch 5mm; D=pitch 7,5mm
Digit 13 and 14: Mechanical version and packaging (see page 12)

▪ **ELECTRICAL CHARACTERISTICS.**

The capacitors meet the essential requirements of IEC 60384-9, and EIA 198. Unless stated otherwise all electrical value apply at an ambient temperature of 20°C ±3°C, at normal atmospheric conditions.

| Description | Value | |
|---|--|-------------|
| | 1kV | 2kV |
| Capacitance range at 1MHz, 3V (RMS), 25°C | 15 to 560pF | 22 to 390pF |
| Capacitance tolerance | ± 10% | ± 10% |
| D.C. test voltage, duration 1 minute | 2 times of the rated voltage (50mA and under) for 1 to 5 seconds | |
| Insulation resistance at rated voltage (DC) | ≥ 10,000MΩ | |
| Temperature coefficients on capacitance SL | +350-1000ppm/°C -25°C to +125°C | |
| Q factor at 1kHz, 1V (RMS), 25 °C | C<30pFQ≥400 + 20C C≥30pFQ≥1000 | |
| Operating temperature range | -55 to +125°C | |
| Climatic category | 55/125/21 | |

KJN Ceramic Disc Capacitor

Y1 Class: 250Vac - X1 Class: 440Vac

■ Description

- The capacitors consist of a ceramic disc both sides of which are silver plated. Connection leads are made of tinned copper having a diameter of $\varnothing d = 0.65\text{mm}$. The capacitors are supplied with straight leads Encapsulation is made of flammable resistant epoxy resin in accordance with UL94 V0.

■ Applications

- Across-the-line
- Line by-pass
- Antenna coupling
- Interference suppression

■ Features

- 4kV (AC) test voltage
- High temperature operation, up to 125°C
- Complying with EN 132400 and IEC 60384-14, 2nd edition, including amendment 1.1995

■ Marking

ARCOTRONICS' logo: 

Series: KJN

Rated voltage & Subclass (IEC 60384-14):440~X1 / 250~Y1

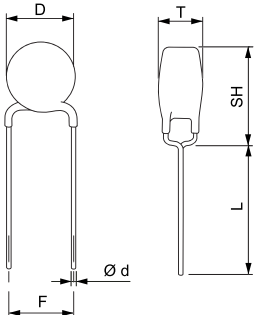
Rated voltage: cUL1414: 250~

Capacitance expressed in nF

Approval marks

Max thickness T = 6.5mm

Standard version: lead length L=25±1mm / straight leads / loose packaging

|  | C | Tol | D (max) | SH max straight | SH max kinked | Part Number | Temperature coefficient |
|--|------|-----|---------|-----------------|---------------|------------------|------------------------------------|
| | (pF) | % | (mm) | (mm) | (mm) | | |
| | 100 | ±10 | 9 | 13 | 14 | KJN101KQ35-G- -A | Y5P -25°C to 85°C ±10% |
| | 150 | ±10 | 9 | 13 | 14 | KJN151KQ35-G- -A | |
| | 220 | ±10 | 9 | 13 | 14 | KJN221KQ35-G- -A | |
| | 330 | ±10 | 9 | 13 | 14 | KJN331KQ35-G- -A | |
| | 470 | ±10 | 9 | 13 | 14 | KJN471KQ35-G- -A | |
| | 560 | ±10 | 10 | 14 | 15 | KJN561KQ39-G- -A | |
| | 680 | ±10 | 10 | 14 | 15 | KJN681KQ39-G- -A | Y5U -25°C to 85°C + 22% -56% |
| | 1000 | ±20 | 9 | 13 | 14 | KJN102MQ35-A- -A | |
| | 1500 | ±20 | 11 | 15 | 16 | KJN152MQ43-A- -A | |
| | 2200 | ±20 | 12 | 16 | 17 | KJN222MQ47-A- -A | |
| | 3300 | ±20 | 14 | 18 | 19 | KJN332MQ55-A- -A | |
| | 3900 | ±20 | 15 | 19 | 20 | KJN392MQ59-A- -A | |
| | 4700 | ±20 | 15 | 19 | 20 | KJN472MQ59-A- -A | Y5V -25°C to 85°C + 22% -82% |
| | 1000 | ±20 | 9 | 13 | 14 | KJN102MQ35-B- -A | |
| | 1500 | ±20 | 9 | 13 | 14 | KJN152MQ35-B- -A | |
| | 2200 | ±20 | 10 | 14 | 15 | KJN222MQ39-B- -A | |
| | 3300 | ±20 | 12 | 16 | 17 | KJN332MQ47-B- -A | |
| | 3900 | ±20 | 13 | 17 | 18 | KJN392MQ51-B- -A | |
| | 4700 | ±20 | 14 | 18 | 19 | KJN472MQ55-B- -A | |

Digit 11: F=pitch 10mm; G=pitch 12.5mm

Digit 13 and 14: Mechanical version and packaging (see page 12)

■ ELECTRICAL CHARACTERISTICS

The capacitors meet the essential requirements of IEC 60384-14, 2nd edition. Unless stated otherwise all electrical values apply at an ambient temperature of 20°C ±3°C, at normal atmospheric conditions.

| Description | Value |
|---|---|
| Capacitance range at 1kHz, 1V (RMS) | 100 to 4700 pF |
| Capacitance tolerance | ± 10% up to 680pF; ± 20% |
| Rated AC voltage: | Y1 = 250V; 50/60Hz X1 = 440V; 50/60Hz |
| Dielectric strength (AC) | 4000V for 60 s |
| Dielectric strength of coating (AC) | 4000V for 60 s |
| Test voltage (AC) | 4000V for 2 s |
| Insulation resistance at 500V (DC) | ≥10000MΩ |
| Temperature coefficients on capacitance | Y5P (up to 680pF) Y5U from 1000pF to 4700pF Y5V from 1000pF to 4700pF |
| Dissipation factor at 1 kHz, 1V (RMS) | 2.5% max |
| Operating temperature range | -25 to +125°C |
| Climatic category | 25/125/21 |
| Approvals | ENEC (EN132400/60384-14, 2nd ed.) - APPROVED cUL1414 - APPROVED |

Statements of suitability for certain applications are based on our knowledge of typical operating conditions for such applications, but are not intended to constitute – and we specifically disclaim – any warranty concerning suitability for a specific customer application or use. This information is intended for use only by customers who have the requisite experience and capability to determine the correct products for their application. Any technical advice inferred from this information or otherwise provided by us with reference to the use of our products is given gratis, and we assume no obligation or liability for the advice given or results obtained.

Statements of suitability for certain applications are based on our knowledge of typical operating conditions for such applications, but are not intended to constitute – and we specifically disclaim – any warranty concerning suitability for a specific customer application or use. This Information is intended for use only by customers who have the requisite experience and capability to determine the correct products for their application. Any technical advice inferred from this Information or otherwise provided by us with reference to the use of our products is given gratis, and we assume no obligation or liability for the advice given or results obtained.

KJN Ceramic disc Capacitor

Y1 Class: 400Vac – X1 Class: 440Vac

Description

- The capacitors consist of a ceramic disc both sides of which are silver plated. Connection leads are made of tinned copper having a diameter of $\phi d=0,65\text{mm}$. The capacitors are supplied with straight leads. Encapsulation is made of flammable resistant epoxy resin in accordance with UL94 V0.


Applications

- Across-the-line
- Line by-pass
- Antenna coupling.
- Interference suppression

Features

- 4kV (AC) test voltage
- High temperature operation, up to 125°C
- Complying with EN 132400 and IEC 60384-14, 2nd edition, including amendment 1.1995.

Marking

ARCOTRONICS' logo: 
 Series: KJN
 Rated voltage & Subclass (IEC 60384-14): 440~X1 / 400~Y1
 Rated voltage:cUL 1414: 250~
 Capacitance expressed in nF
 Approval marks

Max thickness T=8mm

Standard version: lead length L=25 ± 1mm / straight leads / loose packaging.

| C (pF) | Tol % | D (max) (mm) | SH max straight (mm) | SH max kinked (mm) | Part Number | Temperature Coefficient |
|-----------|----------|-----------------|----------------------------|--------------------------|------------------|------------------------------------|
| | | | | | | |
| 100 | ±10 | 9 | 13 | 14 | KJN101KS35-G --A | Y5P -25°C to 85°C ±10 |
| 150 | ±10 | 9 | 13 | 14 | KJN151KS35-G --A | |
| 220 | ±10 | 9 | 13 | 14 | KJN221KS35-G --A | |
| 330 | ±10 | 9 | 13 | 14 | KJN331KS35-G --A | |
| 470 | ±10 | 10 | 14 | 15 | KJN471KS39-G --A | |
| 560 | ±10 | 10 | 14 | 15 | KJN561KS39-G --A | |
| 680 | ±10 | 11 | 15 | 16 | KJN681KS43-G --A | Y5U -25°C to 85°C + 22% -56% |
| 1000 | ±20 | 9 | 13 | 14 | KJN102MS35-A --A | |
| 1500 | ±20 | 11 | 15 | 16 | KJN152MS43-A --A | |
| 2200 | ±20 | 13 | 17 | 18 | KJN222MS51-A --A | |
| 3300 | ±20 | 14 | 18 | 19 | KJN332MS55-A --A | |
| 3900 | ±20 | 15 | 19 | 20 | KJN392MS59-A --A | |
| 4700 | ±20 | 16 | 20 | 21 | KJN472MS63-A --A | Y5V -25°C to 85°C + 22% -82% |
| 1000 | ±20 | 9 | 13 | 14 | KJN102MS35-B --A | |
| 1500 | ±20 | 9 | 13 | 14 | KJN152MS35-B --A | |
| 2200 | ±20 | 10 | 14 | 15 | KJN222MS39-B --A | |
| 3300 | ±20 | 12 | 16 | 17 | KJN332MS47-B --A | |
| 3900 | ±20 | 13 | 17 | 18 | KJN392MS51-B --A | |
| 4700 | ±20 | 14 | 18 | 19 | KJN472MS55-B --A | |

All dimensions are in mm

Digit 11: F=pitch 10mm; G=pitch 12mm

Digit 13 and 14: Mechanical version and packaging (see page 12)

ELECTRICAL CHARACTERISTICS.

The capacitors meet the essential requirements of IEC 60384-14, 2nd edition. Unless stated otherwise all electrical value apply at an ambient temperature of 20°C ±3°C, at normal atmospheric conditions.

| Description | Value |
|---|---|
| Capacitance range at 1KHz, 1V (RMS) | 100 to 4700pF |
| Capacitance tolerance | ± 10% up to 680pF; ± 20% |
| Rated AC voltage: | Y1 = 400V; 50/60Hz X1= 440V; 50/60Hz |
| Dielectric strength (AC) | 4000V for 60s |
| Dielectric strength of coating (AC) | 4000V for 60s |
| Test voltage (AC) | 4000V for 2s |
| Insulation resistance at 500V (DC) | ≥ 10000MΩ |
| Temperature coefficients on capacitance | Y5P up to 680pF Y5U from 1000pF to 4700pF Y5V from 1000pF to 4700pF |
| Dissipation factor at 1KHz, 1V (RMS) | 2,5% max |
| Operating temperature range | -25 to +125°C |
| Climatic category | 25/125/21 |
| Approvals | ENEC (EN132400/60384-14, 2 nd ed.) – APPROVED CUL 1414 - APPROVED |

Statements of suitability for certain applications are based on our knowledge of typical operating conditions for such applications, but are not intended to constitute – and we specifically disclaim – any warranty concerning suitability for a specific customer application or use. This Information is intended for use only by customers who have the requisite experience and capability to determine the correct products for their application. Any technical advice inferred from this Information or otherwise provided by us with reference to the use of our products is given gratis, and we assume no obligation or liability for the advice given or results obtained.

KJY Ceramic Disc Capacitor

Y2 Class: 250Vac - X1 Class: 400Vac

■ Description

- The capacitors consist of a ceramic disc both sides of which are silver plated. Connection leads are made of tinned copper having a diameter of $\varnothing d = 0.65\text{mm}$. The capacitors are supplied with straight leads. Encapsulation is made of flammable resistant epoxy resin in accordance with UL94 V0.

■ Applications

- Across-the-line
- Line by-pass
- Antenna coupling
- Interference suppression

■ Features

- High temperature operation, up to 125°C
- Complying with EN 132400 and IEC 60384-14, 2nd edition, including amendment 1.1995

■ Marking

ARCOTRONICS' logo: 

Series: KJY

Rated voltage & Subclass (IEC 60384-14): 400~X1 / 250~Y2

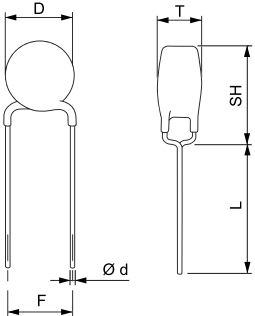
Rated voltage: cUL1414: 250~

Capacitance expressed in nF

Approval marks

Max thickness T = 5mm

Standard version: lead length L=25±1mm / straight leads / loose packaging

| | C | Tol | D (max) | SH max straight | SH max kinked | Part Number | Temperature coefficient |
|--|------|-----|---------|-----------------|------------------|-----------------------------------|------------------------------|
| | (pF) | % | (mm) | (mm) | (mm) | | |
|  | 100 | ±10 | 8 | 12 | 13 | KJY101KR31-G- -A | Y5P -25°C to 85°C ±10% |
| | 150 | ±10 | 8 | 12 | 13 | KJY151KR31-G- -A | |
| | 220 | ±10 | 8 | 12 | 13 | KJY221KR31-G- -A | |
| | 330 | ±10 | 8 | 12 | 13 | KJY331KR31-G- -A | |
| | 470 | ±10 | 8 | 12 | 13 | KJY471KR31-G- -A | |
| | 560 | ±10 | 9 | 13 | 14 | KJY561KR35-G- -A | |
| | 680 | ±10 | 9 | 13 | 14 | KJY681KR35-G- -A | |
| 1000 | ±10 | 10 | 14 | 15 | KJY102KR39-G- -A | Y5U -25°C to 85°C +22% -56% | |
| 1000 | ±20 | 8 | 12 | 13 | KJY102MR31-A- -A | | |
| 1500 | ±20 | 9 | 13 | 14 | KJY152MR35-A- -A | | |
| 2200 | ±20 | 10 | 14 | 15 | KJY222MR39-A- -A | | |
| 2500 | ±20 | 11 | 15 | 16 | KJY252MR43-A- -A | | |
| 3300 | ±20 | 12 | 16 | 17 | KJY332MR47-A- -A | | |
| 3900 | ±20 | 13 | 17 | 18 | KJY392MR51-A- -A | | |
| 4700 | ±20 | 14 | 18 | 19 | KJY472MR55-A- -A | Y5V -25°C to 85°C +22% -82% | |
| 1000 | ±20 | 8 | 12 | 13 | KJY102MR31-B- -A | | |
| 1500 | ±20 | 8 | 13 | 14 | KJY152MR31-B- -A | | |
| 2200 | ±20 | 9 | 13 | 14 | KJY222MR35-B- -A | | |
| 3300 | ±20 | 10 | 14 | 15 | KJY332MR39-B- -A | | |
| 3900 | ±20 | 11 | 15 | 16 | KJY392MR43-B- -A | | |
| 4700 | ±20 | 12 | 16 | 17 | KJY472MR47-B- -A | | |
| 10000 | ±20 | 16 | 20 | 21 | KJY103MR63-B- -A | | |

All dimensions are in mm

Digit 11: C=pitch 5mm; D=pitch 7.5mm; F=pitch 10mm; G=pitch 12.5mm

Digit 13 and 14: Mechanical version and packaging (see page 12)

■ ELECTRICAL CHARACTERISTICS

The capacitors meet the essential requirements of IEC 60384-14, 2nd edition. Unless stated otherwise all electrical values apply at an ambient temperature of 20°C ±3°C, at normal atmospheric conditions.

| Description | Value |
|---|--|
| Capacitance range at 1kHz, 1V (RMS) | 100 to 10000 pF |
| Capacitance tolerance | ± 10% up to 1000pF; ± 20% from 1000 to 10000pF |
| Rated AC voltage: | Y2 = 250V; 50/60Hz X1 = 400V; 50/60Hz |
| Dielectric strength (AC) | 2600V for 60 s |
| Dielectric strength of coating (AC) | 2600V for 60 s |
| Test voltage (AC) | 2600V for 2 s |
| Insulation resistance at 500V (DC) | ≥10000MΩ |
| Temperature coefficients on capacitance | Y5P (up to 1000pF) / Y5U from 1000pF to 4700pF Y5V from 1000pF to 10000pF |
| Dissipation factor at 1 kHz, 1V (RMS) | 2.5% max |
| Operating temperature range | -25 to +125°C |
| Climatic category | 25/125/21 |
| Approvals | ENEC (EN132400/60384-14, 2nd ed.) - APPROVED cUL1414 - APPROVED |

X-ON Electronics

Largest Supplier of Electrical and Electronic Components

Click to view similar products for [Safety Capacitors](#) category:

Click to view products by [Kemet](#) manufacturer:

Other Similar products are found below :

[PME264NE5470MR04](#) [46KI3470DQM1K](#) [46KR410000M1M](#) [49AR410000B1M](#) [46KI333050M1K](#) [46KN333000M1M](#) [46KN422000P0M](#)
[49AN3470ZB01M](#) [46KN347000M1M](#) [46KR422000M1K](#) [DE1E3KX472MJ4BN01F](#) [ECQ-U2A224MLC](#) [46KI3100DQM1M](#) [04068](#)
[HUB820-P](#) [MKPX2R-1/400/10P27](#) [YP102681K060B20C6P](#) [YP501471K040B20C6P](#) [BX4002J](#) [GX2003C](#) [GX3009C](#) [GX3010](#) [GX3024C](#)
[GX3045](#) [GX3045C](#) [GX3047](#) [GX3053](#) [GX3074C](#) [GX3083C](#) [GX3085C](#) [GX4015](#) [GX4015C](#) [GX4017](#) [GX4017-Z](#) [GX4018](#) [GX4045C](#)
[GX4053J](#) [GX4056C](#) [GX4070C](#) [GX4089](#) [GX4100C](#) [GX4103J](#) [GX4115](#) [GX4115C](#) [GX4125C](#) [GX4128J](#) [GX4182](#) [GX4186C](#) [GX4190C](#)
[GX4212C](#)