

## Overview

KEMET's PEG227 is an Ultra-High CV electrolytic capacitor with an outstanding electrical performance and high energy storage capability. The device has a polarized all-welded design, tinned copper wire leads, and a negative pole connected to the case. The PEG227 winding is housed in a cylindrical aluminum can with a high purity aluminum lid and high quality rubber gasket. Low ESR is the result of a low resistive electrolyte/paper system and an all-welded design. Thanks to its mechanical robustness, the PEG227 is suitable for use in mobile and aircraft installations, with operation up to +150°C. KEMET's automotive grade capacitors meet the demanding Automotive Electronics Council's AEC-Q200 qualification requirements.

## Applications

The KEMET PEG227 is a new generation of Ultra-High CV axial electrolytic capacitors. It is designed for automotive applications with extremely high demands.

## Benefits

- AEC-Q200 automotive qualified
- 2,000 hours at +150°C
- Ultra-High CV
- Extremely high ripple current
- Up to 27 ARMS ripple current, continuous load
- ESR stability over lifetime
- High vibration resistance
- Polarized all-welded design
- Outstanding electrical performance



## Part Number System

PEG227	H	KL	432	0	M	E1
Series	Rated Voltage (VDC)	Size Code	Capacitance Code (µF)	Version	Capacitance Tolerance	Packaging
Axial Aluminum Electrolytic	H = 25 K = 40 M = 63	See Dimension Table	The last two digits represent significant figures. The first digit indicates the total number digits.	0 = Standard	Q = -10 + 30% M = ±20%	E1 = Bulk

## Performance Characteristics

Item	Performance Characteristics		
Capacitance Range	780 – 10,500 $\mu$ F		
Rated Voltage	25 – 63 VDC		
Operating Temperature	–40 to +125°C (–40 to +150°C at derated voltage)		
Capacitance Tolerance	–10/+30%, ( $\pm$ 20% select values) at 100 Hz/+20°C		
Operational Lifetime	D (mm)	Rated voltage, +125°C (hours)	Rated voltage, +150°C (hours)
	16	6,300	1,500
	18 and 20	8,400	2,000
Shelf Life	5,000 hours at +105°C or 10 years at +40°C 0 VDC		
Leakage Current	$I = 0.003 CV + 4.0$ ( $\mu$ A)		
	C = rated capacitance ( $\mu$ F), V = rated voltage (VDC). Voltage applied for 5 minutes at +20°C.		
Vibration Test Specifications	Procedure		Requirements
	1.5 mm displacement amplitude or 20 g maximum acceleration. Vibration applied for three 22-hour sessions at 10 – 2,000 Hz (capacitor clamped by body).		No leakage of electrolyte or other visible damage. Deviations in capacitance from initial measurements must not exceed: $\Delta C/C < 5\%$
Standards	IEC 60384–4 long life grade 40/125/56, AEC–Q200		

## Compensation Factor of Ripple Current (RC) vs. Frequency

Frequency	100 Hz	300 Hz	1 kHz	5 kHz	100 kHz
Coefficient	0.35	0.57	0.80	1.00	1.04

## Test Method & Performance

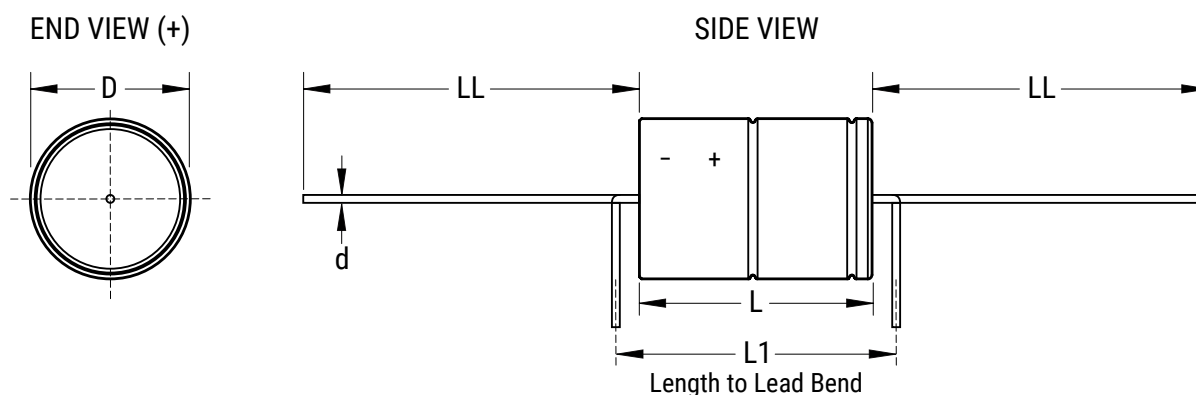
Endurance Life Test	
Conditions	Performance
Temperature	+150°C
Test Duration	1,500 hours (D = 16 mm)
	2,000 hours (D = 18 and 20 mm)
Ripple Current	Maximum ripple current specified in table
Voltage	The sum of DC voltage and the peak AC voltage must not exceed the rated voltage of the capacitor
<b>Performance</b>	<b>The following specifications will be satisfied when the capacitor is tested at +20°C:</b>
Capacitance Change	Within 15% of the initial value
Equivalent Series Resistance	$\geq 2x$ initial value (typically $\geq 1.3x$ at 90% of the lifetime)
Leakage Current	Does not exceed leakage current limit

## Ordering Options Table

Packaging Kind	Lead Length (mm)	Lead and Packaging Code
Standard Packaging Option		
Bulk (box)	40 ±2	(E1)

Size Code	Bulk Quantity	Size Code	Bulk Quantity
KL	100	LQ	100
KP	75	ML	125
LL	135	MP	100
LP	110		

## Dimensions – Millimeters



Size Code	Dimensions in mm					Approximate Weight Grams
	D ±0.5	L ±1	L1 Minimum	d ±0.03	LL b ±2 Box	
KL	16.2	26.7	33	1.0	40	8
KP	16.2	34.7	41	1.0	40	11
LL	18.2	26.7	33	1.0	40	11
LP	18.2	34.7	41	1.0	40	14
LQ	18.2	38.7	45	1.0	40	16
ML	20.2	26.7	33	1.0	40	13
MP	20.2	34.7	41	1.0	40	20
MS	20.2	42.7	49	1.0	40	24

Note: L1 is KEMET's recommendation for minimum distance between symmetrical lead bend. Available only for customer specific part numbers. Lead bend dimensions must be specified and confirmed per article.

## Shelf Life

The capacitance, ESR, and impedance of a capacitor will not change significantly after extended storage periods; however, the leakage current will very slowly increase. KEMET products are particularly stable and allow a shelf life in excess of ten years at 40°C. See sectional specification under each product series for specific data.

## Failure Rate

Estimated field failure rate:  $\leq 0.15$  ppm (failures per year/produced number of capacitors per year).

The expected failure rate for this capacitor range is based on field experience for capacitors with structural similarity.

## Environmental Compliance



All Part Numbers in this datasheet are Reach and RoHS compliant and Halogen-Free.

As an environmentally conscious company, KEMET is working continuously with improvements concerning the environmental effects of both our capacitors and their production.

In Europe (RoHS Directive) and in some other geographical areas such as China, legislation has been put in place to prevent the use of some hazardous materials, such as lead (Pb), in electronic equipment. All products in this catalog are produced to help our customers' obligations to guarantee their products and fulfill these legislative requirements. The only material of concern in our products has been lead (Pb), which has been removed from all designs to fulfill the requirement of containing less than 0.1% of lead in any homogeneous material. KEMET will closely follow any changes in legislation worldwide and make any necessary changes in its products, whenever needed.

Some customer segments such as medical, military and automotive electronics may still require the use of lead in electrode coatings. To clarify the situation and distinguish products from each other, a special symbol is used on the packaging labels for RoHS compatible capacitors.

Due to customer requirements, there may appear additional markings such as lead-free (LF), or lead-free wires (LFW) on the label.

**Table 1 – Ratings & Part Number Reference**

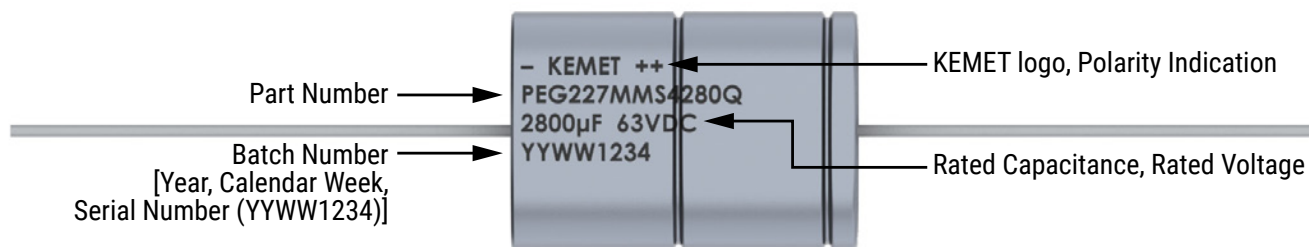
Rated Voltage	De-Rated Voltage 150°C	Rated Capacitance	Size Code	Case Size	Ripple Current					Part Number
					Maximum			Rated	Maximum (Reduced Voltage)	
					(VDC)	(VDC)	100 Hz 20°C (µF)	D x L (mm)	≥ 5 kHz 125°C (A) <sup>1</sup>	≥ 5 kHz 140°C (A) <sup>2</sup>
25	18	3,200	KL	16 x 27	17.2	10.9	4.9	6.2	7.8	PEG227HKL4320ME1
25	18	4,600	KP	16 x 35	19.3	12.2	5.5	7.4	9.3	PEG227HKP4460ME1
25	18	4,300	LL	18 x 27	19.4	12.3	5.5	7	8.9	PEG227HLL4430QE1
25	18	6,200	LP	18 x 35	21.6	13.6	6.1	8.3	10.5	PEG227HLP4620QE1
25	18	7,100	LQ	18 x 39	22.2	14.1	6.3	8.8	11.1	PEG227HLQ4710QE1
25	18	5,600	ML	20 x 27	23.1	14.6	6.5	7.6	9.6	PEG227HML4560QE1
25	18	8,100	MP	20 x 35	25.7	16.2	7.3	9	11.4	PEG227HMP4810QE1
25	18	10,500	MS	20 x 43	27.1	17.1	7.7	9.9	12.5	PEG227HMS5100QE1
40	32	1,500	KL	16 x 27	16.8	10.6	4.8	6	7.6	PEG227KKL4150ME1
40	32	2,200	KP	16 x 35	19	12	5.4	7.2	9.1	PEG227KKP4220ME1
40	32	2,100	LL	18 x 27	19	12	5.4	6.9	8.7	PEG227KLL4210QE1
40	32	3,000	LP	18 x 35	21.2	13.4	6	8.2	10.4	PEG227KLP4300QE1
40	32	3,500	LQ	18 x 39	22	13.9	6.2	8.7	11	PEG227KLQ4350QE1
40	32	2,700	ML	20 x 27	22.7	14.4	6.4	7.4	9.4	PEG227KML4270QE1
40	32	4,200	MP	20 x 35	25.5	16.1	7.2	9	11.4	PEG227KMP4420QE1
40	32	5,200	MS	20 x 43	26.7	16.9	7.6	9.8	12.4	PEG227KMS4520QE1
63	54	780	KL	16 x 27	12.9	8.2	3.7	4.6	5.9	PEG227MKL3780QE1
63	54	1,100	KP	16 x 35	14.9	9.4	4.2	5.7	7.2	PEG227MKP4110QE1
63	54	1,100	LL	18 x 27	15.2	9.6	4.3	5.5	6.9	PEG227MLL4110QE1
63	54	1,600	LP	18 x 35	17.3	11	4.9	6.7	8.5	PEG227MLP4160QE1
63	54	1,900	LQ	18 x 39	18.2	11.5	5.1	7.2	9.1	PEG227MLQ4190QE1
63	54	1,500	ML	20 x 27	18.8	11.9	5.3	6.1	7.8	PEG227MML4150QE1
63	54	2,100	MP	20 x 35	21.3	13.5	6	7.5	9.5	PEG227MMP4210QE1
63	54	2,800	MS	20 x 43	23.4	14.8	6.6	8.5	10.7	PEG227MMS4280QE1
Rated Voltage	De-Rated Voltage 150°C	Rated Capacitance	Size Code	Case Size	Ripple Current					Part Number

<sup>1</sup> Capacitor-mounted with low thermal resistance path (heat-sink).

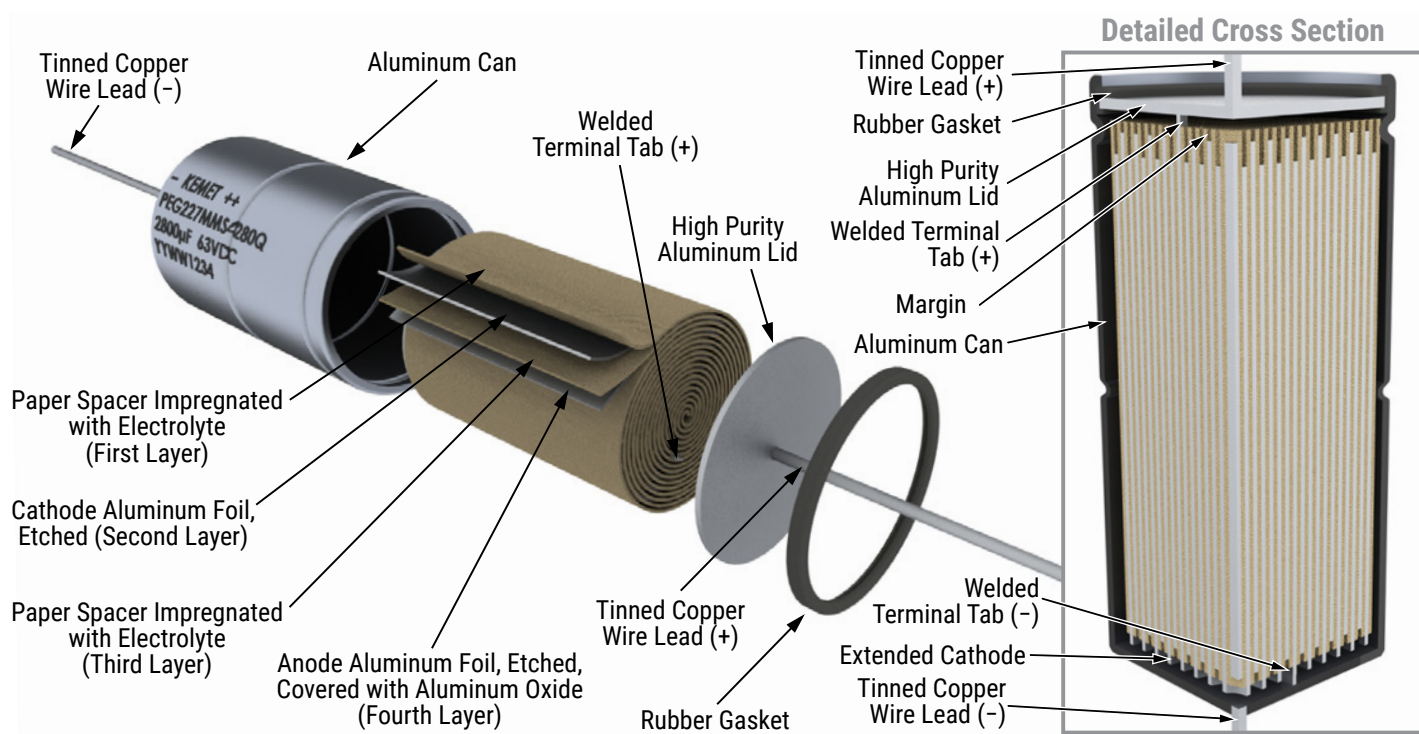
<sup>2</sup> Valid for capacitor supplied with reduced DC voltage, capacitor-mounted with low thermal resistance path.

ESR Maximum			Part Number
100 Hz 20°C (mΩ)	100 kHz 20°C (mΩ)	5–100 kHz 125–150°C (mΩ)	Represents Part Number Options
49	32	12.1	PEG227HKL4320ME1
35	23	9.6	PEG227HKP4460ME1
37	24	10.4	PEG227HLL4430QE1
27	18	8.4	PEG227HLP4620QE1
24	16	7.9	PEG227HLQ4710QE1
30	20	9.8	PEG227HML4560QE1
22	15	7.9	PEG227HMP4810QE1
18	13	7.1	PEG227HMS5100QE1
67	32	12.6	PEG227KKL4150ME1
47	23	9.9	PEG227KKP4220ME1
49	24	10.8	PEG227KLL4210QE1
35	18	8.7	PEG227KLP4300QE1
31	16	8.1	PEG227KLQ4350QE1
40	20	10.1	PEG227KML4270QE1
27	14	8	PEG227KMP4420QE1
23	13	7.3	PEG227KMS4520QE1
107	45	21.3	PEG227MKL3780QE1
76	32	16	PEG227MKP4110QE1
77	33	16.9	PEG227MLL4110QE1
55	24	13	PEG227MLP4160QE1
47	21	11.8	PEG227MLQ4190QE1
60	27	14.8	PEG227MML4150QE1
43	20	11.5	PEG227MMP4210QE1
34	16	9.8	PEG227MMS4280QE1
ESR			Part Number

## Marking



## Construction



## Construction Data

The manufacturing process begins with the anode foil being electrochemically etched to increase the surface area and then “formed” to produce the aluminum oxide layer. Both the anode and cathode foils are then interleaved with absorbent paper and wound into a cylinder. During the winding process, aluminum tabs are attached to each foil to provide the electrical contact.

The winding is assembled to the capacitor Al-can and to the Al-lid. The can is filled with electrolyte and the winding is impregnated during a vacuum treatment. The capacitor is sealed. Throughout the process, all materials inside the housing must be maintained at the highest purity and be compatible with the electrolyte.

Each capacitor is aged and tested before being packed. The purpose of aging is to repair any damage in the oxide layer and thus reduce the leakage current to a very low level. Aging is carried out at elevated temperature and is accomplished by applying voltage to the device while carefully controlling the supply current. The process takes between 2 and 20 hours, depending on voltage rating.

Damage to the oxide layer can occur due to a variety of reasons:

- Slitting of the anode foil after forming
- Attaching the tabs to the anode foil
- Minor mechanical damage caused during winding

The following tests are applied for each individual capacitor.

Electrical:

- Leakage current
- Capacitance
- ESR
- Tan Delta

Mechanical/Visual:

- Pull strength test of wire terminals
- Print detail
- Box labels
- Packaging, including packed quantity



## KEMET Electronics Corporation Sales Offices

For a complete list of our global sales offices, please visit [www.kemet.com/sales](http://www.kemet.com/sales).

---

### Disclaimer

All product specifications, statements, information and data (collectively, the "Information") in this datasheet are subject to change. The customer is responsible for checking and verifying the extent to which the Information contained in this publication is applicable to an order at the time the order is placed. All Information given herein is believed to be accurate and reliable, but it is presented without guarantee, warranty, or responsibility of any kind, expressed or implied.

Statements of suitability for certain applications are based on KEMET Electronics Corporation's ("KEMET") knowledge of typical operating conditions for such applications, but are not intended to constitute – and KEMET specifically disclaims – any warranty concerning suitability for a specific customer application or use. The Information is intended for use only by customers who have the requisite experience and capability to determine the correct products for their application. Any technical advice inferred from this Information or otherwise provided by KEMET with reference to the use of KEMET's products is given gratis, and KEMET assumes no obligation or liability for the advice given or results obtained.

Although KEMET designs and manufactures its products to the most stringent quality and safety standards, given the current state of the art, isolated component failures may still occur. Accordingly, customer applications which require a high degree of reliability or safety should employ suitable designs or other safeguards (such as installation of protective circuitry or redundancies) in order to ensure that the failure of an electrical component does not result in a risk of personal injury or property damage.

Although all product-related warnings, cautions and notes must be observed, the customer should not assume that all safety measures are indicated or that other measures may not be required.

*KEMET is a registered trademark of KEMET Electronics Corporation.*



## X-ON Electronics

Largest Supplier of Electrical and Electronic Components

*Click to view similar products for [Aluminium Electrolytic Capacitors - Axial Leaded](#) category:*

*Click to view products by [Kemet](#) manufacturer:*

Other Similar products are found below :

[MAL203028109E3](#) [MAL203125221E3](#) [MAL204216159E3](#) [MAL211938479E3](#) [A141GH470Q025T](#) [NEH100M10BB](#) [NEH100M25CB](#)  
[NEH220M25CC](#) [NEH22M100CC](#) [NEH2.2M50AA](#) [NEH330M25DC-BULK](#) [NEH3.3M50AA](#) [NEH470M100FE](#) [NEH470M63FE](#)  
[NEH4.7M50AA](#) [NEHH100M450JB](#) [NEHH3.3M160BA](#) [NEHH4.7M160BB](#) [NEHH47M450HB](#) [A141JP221Q040A](#) [A141MP222Q040A](#)  
[A142GL100Q200A](#) [A142GL470Q063A](#) [A142ML471Q063A](#) [A142MS471Q100A](#) [TE1202E](#) [516D477M025NR6A](#) [UVX1C222M](#)  
[39D117F350JP4](#) [516D476M035LM6A](#) [MAL211990518E3](#) [MAL204281229E3](#) [NEH1000M35FE-BULK](#) [NEH1.0M100AA](#) [NEH.10M50AA](#)  
[NEH330M35DD](#) [NEH470M25DD](#) [NEH47M16BA](#) [NEHH100M250GF](#) [TPC1V102MCH](#) [NEH330M25DC](#) [NEH1000M50FF](#)  
[NEH470M35ED-BULK](#) [NEH47M50CB-BULK](#) [NEH4700M50JB-BULK](#) [A141MS152Q063A](#) [A142GL3R3Q450A](#) [227TTA300A](#) [TVA1413-](#)  
[E3](#) [B41689A5458Q001](#)