



Overview

KEMET's PHA227 is a conductive polymer hybrid capacitor with outstanding electrical performance. The device has a polarized all-welded design, tinned copper wire leads, and a negative pole connected to the case. The PHA227 winding is housed in a cylindrical aluminum can with a high purity aluminum lid and high-quality rubber gasket. Low ESR is conditioned by a highly conductive polymer (PEDOT/PSS) and an all-welded design. The polymer system creates an electrical pathway between the anodic oxide layer and the cathode through a mechanical separator - paper. The PHA227 winding is impregnated with liquid electrolyte that results to self-healing features of the capacitor. Thanks to its mechanical robustness, the PHA227 is suitable for use in mobile, automotive and aircraft installations with operation up to +125°C.

Applications

KEMET's PHA227 is a series of high performance axial hybrid capacitors. It is designed for automotive applications with extremely high demands.

Benefits

- More than 4,000 hours at +125°C
- High temperature capability up to 140°C
- Extremely high ripple current
- Up to 40 A_{RMS}, continuous load
- High vibration resistance up to 20 g 22 h/axis
- Polarized all-welded design
- Self-healing behaviours
- Outstanding electrical performance



Part Number System

| PHA226 | M | KP | 337 | R | Q | E4 |
|------------------------|---------------|---------------------|--|--------------|-----------------------|-----------|
| Series Rated | Voltage (VDC) | Size Code | Capacitance Code (µF) | Version | Capacitance Tolerance | Packaging |
| Hybrid Axial Capacitor | M = 63 | See Dimension Table | The last two digits represent significant figures. The first digit indicates the total number digits | 0 = Standard | M = -20 +20% | E4 = Tray |

Performance Characteristics

| Item | Performance Characteristics | | |
|-------------------------------|--|---|---|
| Capacitance Range | 540 – 1,100 μ F | | |
| Rated Voltage | 63 VDC | | |
| Operating Temperature | -40 to +125°C | | |
| Capacitance Tolerance | -20/+20%, at 100 Hz/+20°C | | |
| Operational Lifetime | Rated Voltage and I_{RAC} at T_{case} 90°C/100kHz (hours) | Rated Voltage and I_{RAC} at T_{case} 105°C/100kHz (hours) | Rated Voltage and I_{RAC} at T_{case} 125°C/100kHz (hours) |
| | $\geq 3,000$ | | $\geq 2,000$ |
| End of Life Requirement | $\Delta C/C < \pm 30\%$, ESR < 3 x initial ESR value, IL < initial specified limit | | |
| Surge Voltage | $1.15 \times V_R$ | | |
| High Temperature Storage | After storage for 1,000 hours at +125°C with no voltage applied and then being stabilized at +20°C, capacitors shall meet the limits specified in Endurance. | | |
| Leakage Current | $I = 0.005 CV$ (μ A) | | |
| | C = rated capacitance (μ F), V = rated voltage (VDC). | | |
| Vibration Test Specifications | Procedure | | Requirements |
| | 1.5 mm displacement amplitude or 20 g maximum acceleration. Vibration applied for three 22-hour sessions at 10 – 2,000 Hz (capacitor clamped by body). | | No leakage of electrolyte or other visible damage. Deviations in capacitance from initial measurements must not exceed: $\Delta C/C < 5\%$ |
| Standards | AEC-Q200; IEC 60384-4 long life grade 40/125/56 | | |

Compensation Factor of Ripple Current (RC) vs. Frequency

| | | | | | | | | |
|-------------|---------|---------|-------|-------|--------|--------|--------|---------|
| Frequency | 0.1 kHz | 0.2 kHz | 1 kHz | 5 kHz | 10 kHz | 20 kHz | 40 kHz | 100 kHz |
| Coefficient | 0.20 | 0.30 | 0.55 | 0.85 | 0.90 | 0.95 | 1 | 1 |

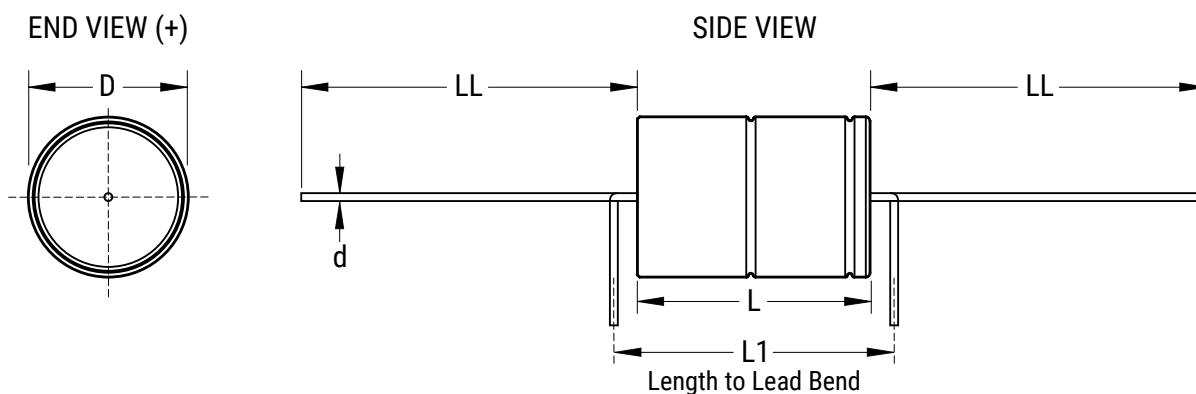
Test Method & Performance

| Endurance Life Test | |
|------------------------------|---|
| Conditions | Performance |
| Temperature | +125°C |
| Test Duration | 2,000 hours |
| Voltage | The sum of DC voltage must not exceed the rated voltage of the capacitor |
| Performance | The following specifications will be satisfied when the capacitor is tested at +20°C: |
| Capacitance Change | Within 15% of initial value (within 10% at 1,000 hour test) |
| Equivalent Series Resistance | $\leq 1.5x$ specified limit (ESR measured at 100 kHz +20°C) |
| Leakage Current | Does not exceed leakage current limit |

Ordering Options Table

| Packaging Kind | Lead Length (mm) | Lead and Packaging Code |
|---------------------------|------------------|-------------------------|
| Standard Packaging Option | | |
| Tray | 40 ±2 | E4 |

Dimensions – Millimeters



| Size Code | Dimensions in mm | | | | | Approximate Weight Grams |
|-----------|------------------|------|---------|-------|---------|--------------------------|
| | D | L | L1 | d | LL | |
| | ±0.5 | ±1 | Minimum | ±0.03 | b±2 Box | |
| KL | 16.2 | 26.7 | 33 | 1.0 | 40 | 9 |
| KP | 16.2 | 34.7 | 41 | 1.0 | 40 | 11 |
| LL | 18.2 | 26.7 | 33 | 1.0 | 40 | 11 |
| LP | 18.2 | 34.7 | 41 | 1.0 | 40 | 16 |

Note: L1 is KEMET's recommendation for minimum distance between symmetrical Lead bend. Available only for Customer specific part numbers. Lead bend dimensions must be specified and confirmed per article.

Shelf Life

The capacitance, ESR and impedance of a capacitor will not change significantly after extended storage periods at temperatures up to 40°C, however the leakage current will very slowly increase.

Environmental Compliance



All Part Numbers in this datasheet are Reach and RoHS compliant and Halogen-Free.

As an environmentally conscious company, KEMET is working continuously with improvements concerning the environmental effects of both our capacitors and their production.

In Europe (RoHS Directive) and in some other geographical areas such as China, legislation has been put in place to prevent the use of some hazardous materials, such as lead (Pb), in electronic equipment. All products in this catalog are produced to help our customers' obligations to guarantee their products and fulfill these legislative requirements. The only material of concern in our products has been lead (Pb), which has been removed from all designs to fulfill the requirement of containing less than 0.1% of lead in any homogeneous material. KEMET will closely follow any changes in legislation world wide and makes any necessary changes in its products, whenever needed.

Some customer segments such as medical, military, and automotive electronics may still require the use of lead in electrode coatings. To clarify the situation and distinguish products from each other, a special symbol is used on the packaging labels for RoHS compatible capacitors.

Table 1 – Ratings & Part Number Reference

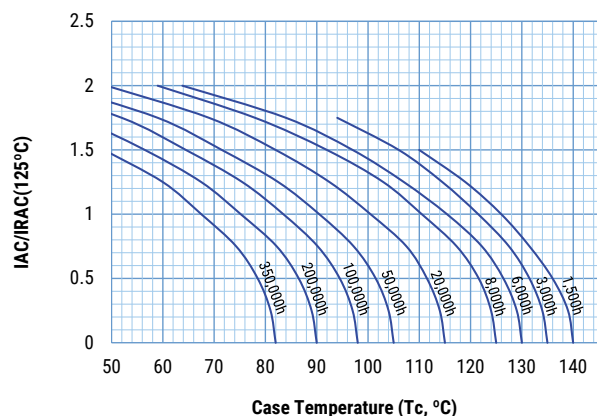
| C_R | D x L | I_{RAC}^a $T_C = 90^\circ C$ 100 kHz | I_{RAC}^a $T_C = 105^\circ C$ 100 kHz | I_{RAC}^b $T_C = 125^\circ C$ 100 kHz | ESR (Maximum) 20°C 100 Hz | ESR (Maximum) -40 to 125°C 100 kHz | Part Number |
|----------------------------------|-------|--|---|---|------------------------------------|---|------------------|
| μF | mm | A_{RMS} | A_{RMS} | A_{RMS} | mOhm | mOhm | |
| 63 VDC (U_R) | | | | | | | |
| 540 | 16x27 | 33.7 | 28.8 | 18.7 | 150 | 6.5 | PHA227MKL3540ME4 |
| 780 | 16x35 | 34.9 | 29.6 | 19.2 | 145 | 6.0 | PHA227MKP3780ME4 |
| 800 | 18x27 | 35.3 | 30.1 | 19.6 | 147 | 6.5 | PHA227MLL3800ME4 |
| 1100 | 18x35 | 36.5 | 30.9 | 20.1 | 100 | 6.0 | PHA227MLP4110ME4 |

^a 3,000 hours

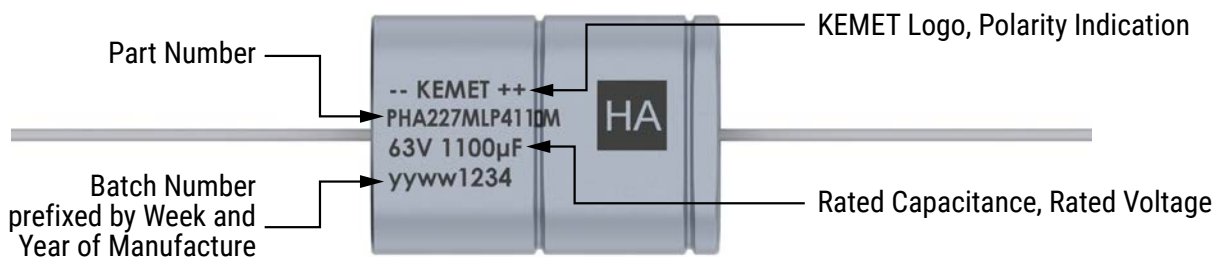
^b 2,000 hours

Operational Life

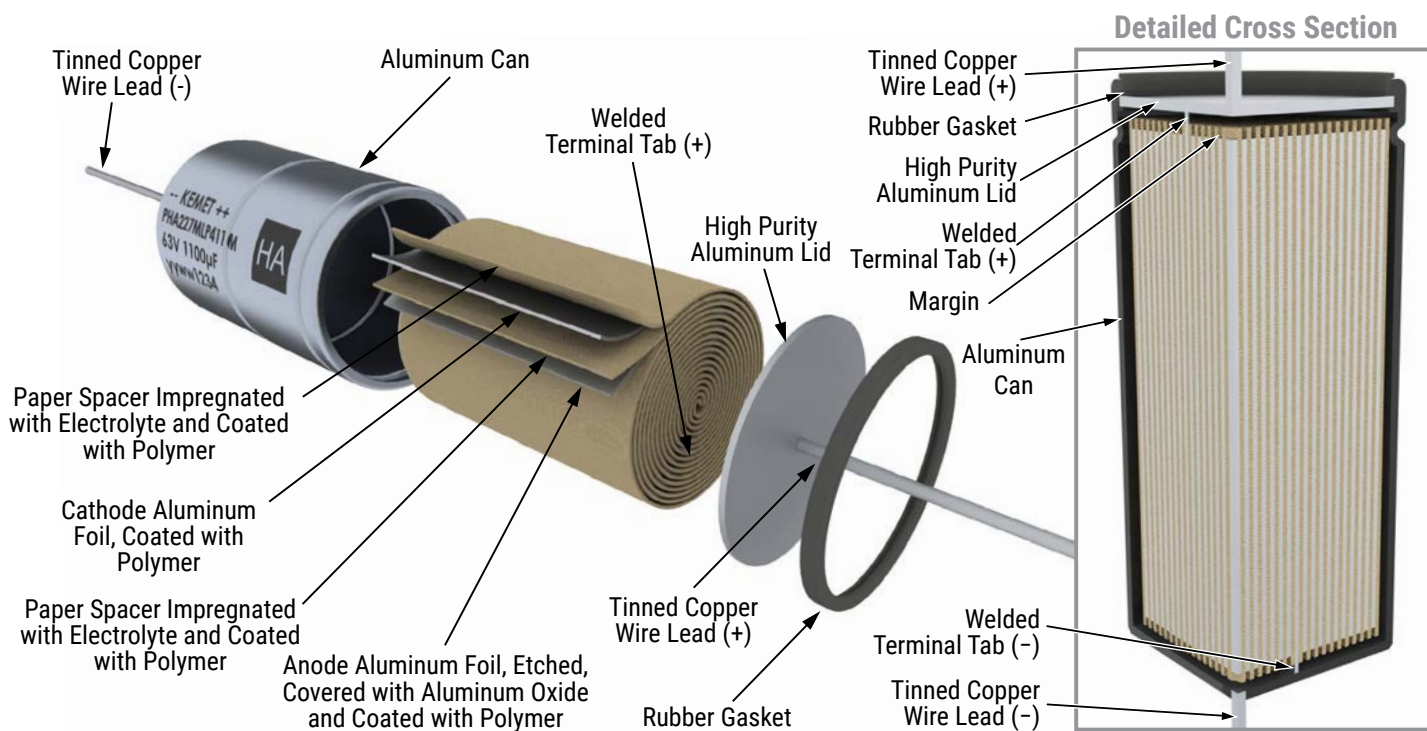
Operational life (L_{op}) at case temperature T_c and ripple current I_{AC} .



Marking



Construction



Construction Data

The manufacturing process begins with the anode foil being electrochemically etched to increase the surface area and then “formed” to produce the aluminum oxide layer. Both the anode and cathode foils are then interleaved with absorbent paper and wound into a cylinder. During the winding process, aluminum tabs are attached to each foil to provide the electrical contact.

The winding is assembled to the capacitor Al-can and to the Al-lid. The can is filled with electrolyte and the winding is impregnated during a vacuum treatment. The capacitor is sealed. Throughout the process, all materials inside the housing must be maintained at the highest purity and be compatible with the electrolyte. Coating with polymer is applied during manufacturing process to achieve enhanced performance.

Each capacitor is aged and tested before being packed. The purpose of aging is to repair any damage in the oxide layer and thus reduce the leakage current to a very low level. Aging is carried out at elevated temperature and is accomplished by applying voltage to the device while carefully controlling the supply current. The process takes between 2 and 20 hours, depending on voltage rating.

Damage to the oxide layer can occur due to a variety of reasons:

- Slitting of the anode foil after forming
- Attaching the tabs to the anode foil
- Minor mechanical damage caused during winding

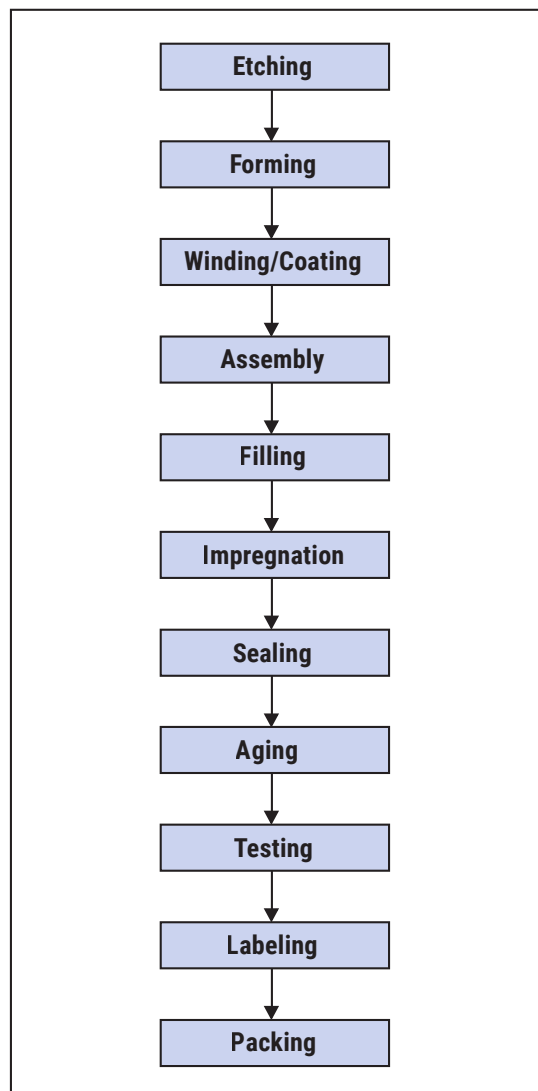
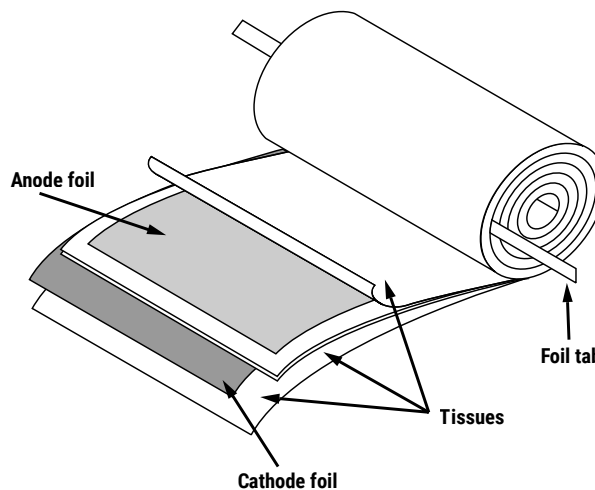
The following tests are applied for each individual capacitor.

Electrical:

- Leakage current
- Capacitance
- ESR
- Tan Delta

Mechanical/Visual:

- Pull strength test of wire terminals
- Print detail
- Box labels
- Packaging, including packed quantity



KEMET Electronics Corporation Sales Offices

For a complete list of our global sales offices, please visit www.kemet.com/sales.

Disclaimer

All product specifications, statements, information and data (collectively, the "Information") in this datasheet are subject to change. The customer is responsible for checking and verifying the extent to which the Information contained in this publication is applicable to an order at the time the order is placed. All Information given herein is believed to be accurate and reliable, but it is presented without guarantee, warranty, or responsibility of any kind, expressed or implied.

Statements of suitability for certain applications are based on KEMET Electronics Corporation's ("KEMET") knowledge of typical operating conditions for such applications, but are not intended to constitute – and KEMET specifically disclaims – any warranty concerning suitability for a specific customer application or use. The Information is intended for use only by customers who have the requisite experience and capability to determine the correct products for their application. Any technical advice inferred from this Information or otherwise provided by KEMET with reference to the use of KEMET's products is given gratis, and KEMET assumes no obligation or liability for the advice given or results obtained.

Although KEMET designs and manufactures its products to the most stringent quality and safety standards, given the current state of the art, isolated component failures may still occur. Accordingly, customer applications which require a high degree of reliability or safety should employ suitable designs or other safeguards (such as installation of protective circuitry or redundancies) in order to ensure that the failure of an electrical component does not result in a risk of personal injury or property damage.

Although all product-related warnings, cautions and notes must be observed, the customer should not assume that all safety measures are indicated or that other measures may not be required.

KEMET is a registered trademark of KEMET Electronics Corporation.

X-ON Electronics

Largest Supplier of Electrical and Electronic Components

Click to view similar products for [Aluminium Organic Polymer Capacitors](#) category:

Click to view products by [Kemet](#) manufacturer:

Other Similar products are found below :

[750-1809](#) [SEAU0A0102G](#) [MAL218497801E3](#) [MAL218297003E3](#) [MAL218497803E3](#) [MAL218397603E3](#) [MAL218297802E3](#)

[MAL218497701E3](#) [MAL218397102E3](#) [MAL218297804E3](#) [MAL218497804E3](#) [MAL218697005E3](#) [MAL218697509E3](#) [MAL218297603E3](#)

[MAL218397604E3](#) [MAL218697106E3](#) [MAL218297005E3](#) [MAL218397106E3](#) [MAL218297103E3](#) [MAL218397104E3](#) [MAL218297604E3](#)

[MAL218697601E3](#) [MAL218697554E3](#) [MAL218697607E3](#) [MAL218397702E3](#) [MAL218497901E3](#) [MAL218497806E3](#) [MAL218697001E3](#)

[PCZ1V181MCL1GS](#) [PCZ1E331MCL1GS](#) [35PZF270MT810X9](#) [HHXD500ARA470MHA0G](#) [APD1012271M035R](#) [APD1012331M035R](#)

[APA0609471M006R](#) [APA0609561M004R](#) [APA0609561M006R](#) [APD0811271M035R](#) [APA0807561M004R](#) [APA0809331M016R](#)

[APA0809561M010R](#) [APA0809821M004R](#) [APA0809821M006R](#) [APA0812471M016R](#) [APA0812561M016R](#) [APA1010122M006R](#)

[APA1012122M010R](#) [APA1012821M016R](#) [SPT1EM101D11OR](#) [SPT0JM101D08ORVZC](#)