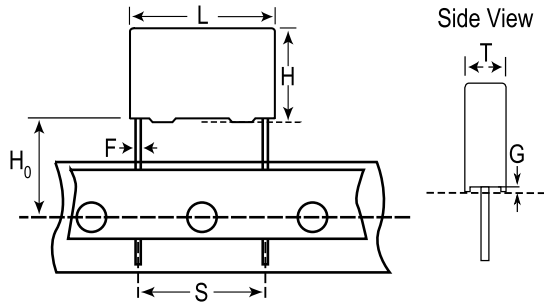


**KEMET Part Number: PHE450HK5470JR17T0**  
(F450KK473J250L)

Capacitor, Film, Double Metallized Polypropylene, 0.047 uF, +/-5% Tol, -55/+105C, General Purpose, 250 VDC@85C, Lead Spacing=7.5 mm



General Information	
Supplier:	KEMET
Dielectric:	Double Metallized Polypropylene
Application:	General Purpose
Sub Application:	DC or AC applications
Style:	Radial Box
Lead Form:	Wire Leads
Features:	Pulse
RoHS:	Yes

Dimensions (mm)		
Symbol	Dimension	Tolerance
L	10	MAX
H	11	MAX
T	5	MAX
S	7.5	+/-0.4
G	0.5	NOM
F	0.6	+/-0.05
H0	18.5	+/-0.5

Specifications	
Capacitance:	0.047 uF
Voltage:	250 VDC
Tolerance:	+/-5%
Voltage AC:	180 VAC
Voltage:	185 VDC (105C)
Rated Temperature:	85C
Temperature Range:	-55/+105C
Dissipation Factor @ 1 kHz:	0.03%
Dissipation Factor @ 10 kHz:	0.04%
Dissipation Factor @ 100kHz:	0.15%
Insulation Resistance:	638.3 GOhm
Inductance:	6
Maximum dVdT:	800 v/us
Miscellaneous:	The Rated Voltage Decreases 1.3%/C Between +85C And +105C
Miscellaneous:	Rthta= 160 C/W (85C), 0.2 m/s

Packaging Specifications	
Package Kind:	T&R
Package Size:	Standard
Package Quantity:	1300

## X-ON Electronics

Largest Supplier of Electrical and Electronic Components

*Click to view similar products for [Film Capacitors](#) category:*

*Click to view products by [Kemet](#) manufacturer:*

Other Similar products are found below :

[F450KG153J250ALH0J](#) [750-1018](#) [FKP1-1000160010P15](#) [FKP1-1500160010P15](#) [FKP1R031507E00JYSD](#) [82EC1100DQ50K](#)

[MMWAF150KME](#) [PFR5101J100J11L16.5TA18](#) [PME261JB5220KR19T0](#) [A521HH333M035C](#) [QXJ2E474KTPT](#) [QXL2B333KTPT](#)

[QXM2G104K](#) [DMT2P22](#) [EEC2G505HQA406](#) [B32520C6332K000](#) [B32522C6104K000](#) [B32523Q3155J](#) [B32676E6755K](#)

[C3B2AD44400B20K](#) [217-0716-001](#) [KP1830-247/061-G](#) [SCD105K122A3-22](#) [2N3155](#) [F601BL225K063CL60A](#) [FKP1-2202KV5P15](#) [FKS3-](#)

[680040010P10](#) [445450-1](#) [B32523Q0475K000](#) [46KR415050M1K](#) [4BSNBX4100ZBFJ](#) [4DCNAQ4450ZA0J](#) [MKP383510063JKP2T0](#) [MKT](#)

[1813-368-015](#) [MKT182022263473](#) [4055292001](#) [WMC08P22](#) [WMF1S15](#) [WMF4S68](#) [EEC2E106HQA405](#) [EEC2G805HQA415](#)

[82DC3100DQ50J](#) [82DC4100AA60K](#) [82EC2150DQ50K](#) [WMF4D68](#) [WMF1D68](#) [PHE841ED6150MR17T0](#) [B25620B118K883](#)

[B25620B158K883](#) [66MD2100CK7AK](#)