

Overview

Multilayer metallized paper, encapsulated and infused in self-extinguishing material, meeting the requirements of UL 94V-0.

Applications

For general use in DC and low frequency pulse applications.

Benefits

- Voltage range: 400 – 1,000 VDC; 220 – 500 VAC
- Capacitance range: 0.001 – 1 μ F
- Lead spacing: 10.2 – 25.4 mm
- Capacitance tolerance: $\pm 10\%$, $\pm 20\%$, $\pm 5\%$ on request
- Climatic category: 40/70/56, IEC 60068-1
- Tape & Reel packaging in accordance with IEC 60286-2
- RoHS compliant and lead-free terminations
- Operating temperature range of -40°C to $+70^{\circ}\text{C}$ in AC applications



Legacy Part Number System

| PME261 | K | A | 5100 | K | R30 |
|------------------|-------------------------------|--|---|---|----------------------------|
| Series | Rated Voltage (VAC) | Lead Spacing (mm) | Capacitance Code (pF) | Capacitance Tolerance | Packaging |
| Metallized Paper | K = 220 E = 300 J = 500 | A = 10.2 B = 15.2 C = 20.3 E = 25.4 | The last three digits represent significant figures. First digit specifies the total number of digits in the capacitance value. | J = $\pm 5\%$ K = $\pm 10\%$ M = $\pm 20\%$ | See Ordering Options Table |

New KEMET Part Number System

| P | 561 | H | E | 103 | K | 220 | A |
|-----------------|-------------------------------------|--|---------------------|--|---|-------------------------------------|----------------------------|
| Capacitor Class | Series | Lead Spacing (mm) | Size Code | Capacitance Code (pF) | Capacitance Tolerance | Rated Voltage (VAC) | Packaging |
| P = Paper | Metallized Paper General Purpose | H = 10.2 Q = 15.2 C = 20.3 E = 25.4 | See Dimension Table | First two digits indicate the two most significant digits of the capacitance value in picofarads. The third digit is the number of following zeroes. | J = $\pm 5\%$ K = $\pm 10\%$ M = $\pm 20\%$ | 220 = 220 300 = 300 500 = 500 | See Ordering Options Table |

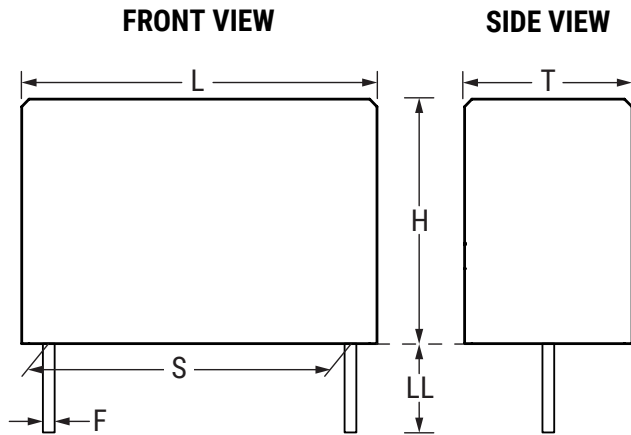
Benefits cont.

- Operating temperature range of -40°C to +100°C in DC applications
- Excellent self-healing properties. Ensures long life even when subjected to frequent over-voltages.
- Good resistance to ionization due to impregnated dielectric
- IEC Publication 166 Type 1
- High dV/dt capability
- Approved according to SE-MIL-QPL
- The capacitors meet the most stringent IEC humidity class, 56 days
- The impregnated paper ensures excellent stability giving outstanding reliability properties, especially in applications having continuous operation

Ordering Options Table

| Lead Spacing Nominal (mm) | Type of Leads and Packaging | Lead Length (mm) | KEMET Lead and Packaging Code | Legacy Lead and Packaging Code |
|----------------------------------|---|----------------------------|-------------------------------|--------------------------------|
| 10.2 | Standard lead and packaging options: | | | |
| | Bulk (bag) – short leads | 6 +0/-1 | C | R06 |
| | Bulk (bag) – maximum length leads | 17 +0/-1 | A | R30 |
| | Tape & Reel (standard reel) | H ₀ = 18.5 ±0.5 | L | R19T0 |
| | Other lead and packaging options: | | | |
| | Tape & Reel (large reel) | H ₀ = 18.5 ±0.5 | P | R19T1 |
| Native 10.2 formed to 7.5 | Ammo pack | H ₀ = 18.5 ±0.5 | LAF3 | R30XA |
| 15.2 | Standard lead and packaging options: | | | |
| | Bulk (bag) – short leads | 6 +0/-1 | C | R06 |
| | Bulk (bag) – maximum length leads | 30 +5/-0 | A | R30 |
| | Tape & Reel (standard reel) | H ₀ = 18.5 ±0.5 | L | R19T0 |
| | Other lead and packaging options: | | | |
| | Tape & Reel (large reel) | H ₀ = 18.5 ±0.5 | P | R19T1 |
| 20.3 | Standard lead and packaging options: | | | |
| | Bulk (tray) – short leads | 6 +0/-1 | C | R06 |
| | Bulk (bag) – maximum length leads | 30 +5/-0 | A | R30 |
| | Tape & Reel (standard reel) | H ₀ = 18.5 ±0.5 | L | R19T0 |
| | Other lead and packaging options: | | | |
| | Tape & Reel (large reel) | H ₀ = 18.5 ±0.5 | P | R19T1 |
| 25.4 | Standard lead and packaging options: | | | |
| | Bulk (tray) – short leads | 6 +0/-1 | C | R06 |
| | Bulk (bag) – maximum length leads | 30 +5/-0 | A | R30 |

Dimensions – Millimeters



| Size Code | S | | T | | H | | L | | F | |
|-----------|---------|-----------|---------|-----------|---------|-----------|---------|-----------|---------|-----------|
| | Nominal | Tolerance | Nominal | Tolerance | Nominal | Tolerance | Nominal | Tolerance | Nominal | Tolerance |
| HE | 10.2 | ±0.4 | 3.9 | +0/-0.5 | 7.5 | +0/-0.5 | 13.5 | +0/-0.5 | 0.6 | ±0.05 |
| HL | 10.2 | ±0.4 | 5.1 | +0/-0.5 | 10.5 | +0/-0.5 | 13.5 | +0/-0.5 | 0.6 | ±0.05 |
| QE | 15.2 | ±0.4 | 5.2 | +0/-0.5 | 10.5 | +0/-0.5 | 18.5 | +0/-0.5 | 0.8 | ±0.05 |
| QM | 15.2 | ±0.4 | 7.3 | +0/-0.5 | 13.0 | +0/-0.5 | 18.5 | +0/-0.5 | 0.8 | ±0.05 |
| QP | 15.2 | ±0.4 | 7.8 | +0/-0.5 | 13.5 | +0/-0.5 | 18.5 | +0/-0.5 | 0.8 | ±0.05 |
| CE | 20.3 | ±0.4 | 7.6 | +0/-0.5 | 14.0 | +0/-0.5 | 24.0 | +0/-0.5 | 0.8 | ±0.05 |
| CG | 20.3 | ±0.4 | 8.4 | +0/-0.5 | 14.0 | +0/-0.5 | 24.0 | +0/-0.5 | 0.8 | ±0.05 |
| CJ | 20.3 | ±0.4 | 9.0 | +0/-0.5 | 15.0 | +0/-0.5 | 24.0 | +0/-0.5 | 0.8 | ±0.05 |
| CP | 20.3 | ±0.4 | 11.3 | +0/-0.5 | 16.5 | +0/-0.5 | 24.0 | +0/-0.5 | 0.8 | ±0.05 |
| EH | 25.4 | ±0.4 | 10.6 | +0/-0.5 | 17.3 | +0/-0.5 | 30.5 | +0/-0.5 | 1.0 | ±0.05 |
| EL | 25.4 | ±0.4 | 15.3 | +0/-0.5 | 22.0 | +0/-0.5 | 30.5 | +0/-0.5 | 1.0 | ±0.05 |

Note: See Ordering Options Table for lead length (LL) options.

Performance Characteristics

| | | | |
|-------------------------------------|--|--|-------------|
| Rated voltage V_R (VDC) | 400 | 630 | 1000 |
| Rated voltage V_R (VAC) | 220 | 300 | 500 |
| Capacitance range (μF) | 0.0082 – 1.0 | 0.001 – 0.15 | 0.001 – 0.1 |
| Capacitance tolerance | $\pm 10\%$, $\pm 20\%$, $\pm 5\%$ on request | | |
| Temperature range | -40 to +70°C | | |
| | -40 to +100°C | | |
| Climatic category | 40/070/56 | | |
| Dissipation factor $\tan\delta$ | Maximum Values at +23°C | | |
| | 1 kHz | | 1.3% |
| Insulation resistance | Measured at +20°C, According to IEC 60384-2 | | |
| | Minimum Values Between Terminals | | |
| | $C \leq 0.33 \mu\text{F}$ | $\geq 12,000 \text{ M}\Omega$ | |
| | $C > 0.33 \mu\text{F}$ | $\geq 4,000 \text{ M}\Omega \cdot \mu\text{F}$ | |
| | PME261 K measured at 100 VDC after 60 seconds, +23°C | | |
| | PME261 E and J measured at 500 VDC after 60 seconds, +23°C | | |

Environmental Test Data

| Test | IEC Publication | Procedure |
|------------------------|------------------------|---|
| Vibration | IEC 60068-2-6 Test Fc | 3 directions at 2 hours each 10 – 55 Hz at 0.75 mm or 98 m/s ² |
| Bump | IEC 60068-2-29 Test Eb | 4,000 bumps at 390 m/s ² |
| Solderability | IEC 60068-2-20 Test Ta | Solder globule method Wetting time for $d \leq 0.8 < 1$ second for $d > 0.8 < 1.5$ seconds |
| Passive Flammability | IEC 60695-2-2 | |
| Damp Heat Steady State | IEC 60068-2-3 Test Ca | +40°C and 90 – 95% RH, 56 days |

Environmental Compliance

All KEMET Metallized Impregnated Paper capacitors are RoHS compliant.



Table 1 – Ratings & Part Number Reference

| Capacitance Value (µF) | Maximum Dimensions in mm | | | Lead Spacing (S) | dV/dt (V/µs) | Kemet Part Number | Legacy Part Number |
|------------------------|--------------------------|--------|--------|------------------|--------------|--------------------|--------------------|
| | T | H | L | | | | |
| 0.0082 | 3.9 | 7.5 | 13.5 | 10.2 | 2,000 | P561HE822(1)220(2) | PME261KA4820(1)(2) |
| 0.010 | 3.9 | 7.5 | 13.5 | 10.2 | 2,000 | P561HE103(1)220(2) | PME261KA5100(1)(2) |
| 0.015 | 5.1 | 10.5 | 13.5 | 10.2 | 2,000 | P561HL153(1)220(2) | PME261KA5150(1)(2) |
| 0.022 | 5.1 | 10.5 | 13.5 | 10.2 | 2,000 | P561HL223(1)220(2) | PME261KA5220(1)(2) |
| 0.033 | 5.2 | 10.5 | 18.5 | 15.2 | 1,600 | P561QE333(1)220(2) | PME261KB5330(1)(2) |
| 0.047 | 5.2 | 10.5 | 18.5 | 15.2 | 1,300 | P561QE473(1)220(2) | PME261KB5470(1)(2) |
| 0.068 | 7.3 | 13.0 | 18.5 | 15.2 | 1,100 | P561QM683(1)220(2) | PME261KB5680(1)(2) |
| 0.1 | 7.3 | 13.0 | 18.5 | 15.2 | 850 | P561QM104(1)220(2) | PME261KB6100(1)(2) |
| 0.15 | 7.6 | 14.0 | 24.0 | 20.3 | 700 | P561CE154(1)220(2) | PME261KC6150(1)(2) |
| 0.22 | 8.4 | 14.0 | 24.0 | 20.3 | 560 | P561CG224(1)220(2) | PME261KC6220(1)(2) |
| 0.33 | 11.3 | 16.5 | 24.0 | 20.3 | 430 | P561CP334(1)220(2) | PME261KC6330(1)(2) |
| 0.47 | 10.6 | 17.3 | 30.5 | 25.4 | 370 | P561EH474(1)220(2) | PME261KE6470(1)(2) |
| 0.68 | 15.3 | 22.0 | 30.5 | 25.4 | 300 | P561EL684(1)220(2) | PME261KE6680(1)(2) |
| 1 | 15.3 | 22.0 | 30.5 | 25.4 | 220 | P561EL105(1)220(2) | PME261KE7100(1)(2) |
| 0.001 | 3.9 | 7.5 | 13.5 | 10.2 | 2,000 | P561HE102(1)300(2) | PME261EA4100(1)(2) |
| 0.0015 | 3.9 | 7.5 | 13.5 | 10.2 | 2,000 | P561HE152(1)300(2) | PME261EA4150(1)(2) |
| 0.0022 | 3.9 | 7.5 | 13.5 | 10.2 | 2,000 | P561HE222(1)300(2) | PME261EA4220(1)(2) |
| 0.0033 | 3.9 | 7.5 | 13.5 | 10.2 | 2,000 | P561HE332(1)300(2) | PME261EA4330(1)(2) |
| 0.0047 | 3.9 | 7.5 | 13.5 | 10.2 | 2,000 | P561HE472(1)300(2) | PME261EA4470(1)(2) |
| 0.0068 | 3.9 | 7.5 | 13.5 | 10.2 | 2,000 | P561HE682(1)300(2) | PME261EA4680(1)(2) |
| 0.01 | 5.1 | 10.5 | 13.5 | 10.2 | 2,000 | P561HL103(1)300(2) | PME261EA5100(1)(2) |
| 0.015 | 5.1 | 10.5 | 13.5 | 10.2 | 2,000 | P561HL153(1)300(2) | PME261EA5150(1)(2) |
| 0.022 | 5.2 | 10.5 | 18.5 | 15.2 | 2,000 | P561QE223(1)300(2) | PME261EB5220(1)(2) |
| 0.033 | 5.2 | 10.5 | 18.5 | 15.2 | 2,000 | P561QE333(1)300(2) | PME261EB5330(1)(2) |
| 0.047 | 7.3 | 13.0 | 18.5 | 15.2 | 1,600 | P561QM473(1)300(2) | PME261EB5470(1)(2) |
| 0.068 | 7.3 | 13.0 | 18.5 | 15.2 | 1,200 | P561QM683(1)300(2) | PME261EB5680(1)(2) |
| 0.1 | 7.6 | 14.0 | 24.0 | 20.3 | 900 | P561CE104(1)300(2) | PME261EC6100(1)(2) |
| 0.15 | 9.0 | 15.0 | 24.0 | 20.3 | 650 | P561CJ154(1)300(2) | PME261EC6150(1)(2) |
| 0.001 | 3.9 | 7.5 | 13.5 | 10.2 | 2,000 | P561HE102(1)500(2) | PME261JA4100(1)(2) |
| 0.0015 | 3.9 | 7.5 | 13.5 | 10.2 | 2,000 | P561HE152(1)500(2) | PME261JA4150(1)(2) |
| 0.0022 | 3.9 | 7.5 | 13.5 | 10.2 | 2,000 | P561HE222(1)500(2) | PME261JA4220(1)(2) |
| 0.0033 | 3.9 | 7.5 | 13.5 | 10.2 | 2,000 | P561HE332(1)500(2) | PME261JA4330(1)(2) |
| 0.0047 | 5.1 | 10.5 | 13.5 | 10.2 | 2,000 | P561HL472(1)500(2) | PME261JA4470(1)(2) |
| 0.0068 | 5.1 | 10.5 | 13.5 | 10.2 | 2,000 | P561HL682(1)500(2) | PME261JA4680(1)(2) |
| 0.01 | 5.2 | 10.5 | 18.5 | 15.2 | 2,000 | P561QE103(1)500(2) | PME261JB5100(1)(2) |
| 0.015 | 5.2 | 10.5 | 18.5 | 15.2 | 2,000 | P561QE153(1)500(2) | PME261JB5150(1)(2) |
| 0.022 | 7.3 | 13.0 | 18.5 | 15.2 | 2,000 | P561QM223(1)500(2) | PME261JB5220(1)(2) |
| 0.033 | 7.8 | 13.5 | 18.5 | 15.2 | 2,000 | P561QP333(1)500(2) | PME261JB5330(1)(2) |
| 0.047 | 7.6 | 14.0 | 24.0 | 20.3 | 2,000 | P561CE473(1)500(2) | PME261JC5470(1)(2) |
| 0.068 | 9.0 | 15.0 | 24.0 | 20.3 | 1,400 | P561CJ683(1)500(2) | PME261JC5680(1)(2) |
| 0.1 | 11.3 | 16.5 | 24.0 | 20.3 | 950 | P561CP104(1)500(2) | PME261JC6100(1)(2) |
| Capacitance Value (µF) | T (mm) | H (mm) | L (mm) | Lead Spacing (S) | dV/dt (V/µs) | KEMET Part Number | Legacy Part Number |

(1) K = ±10%, M = ±20%, J = ±5% on request.

(2) Insert lead and packaging code. See Ordering Options Table for available options.

Soldering Process

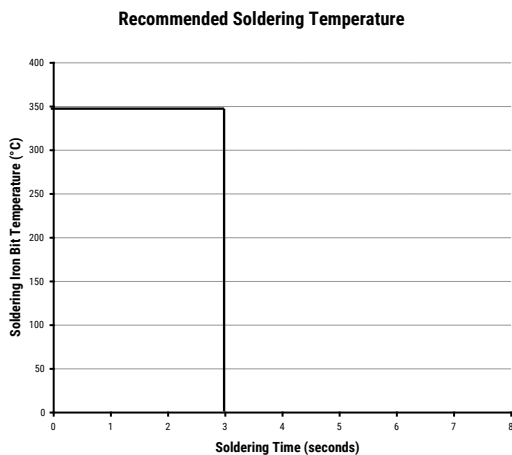
The implementation of the RoHS directive has resulted in the selection of SnAuCu (SAC) alloys or SnCu alloys as primary solder. This has increased the liquidus temperature from that of 183°C for SnPb eutectic alloy to 217 – 221°C for the new alloys. As a result, the heat stress to the components, even in wave soldering, has increased considerably due to higher pre-heat and wave temperatures. Polypropylene capacitors are especially sensitive to heat (the melting point of polypropylene is 160 – 170°C). Wave soldering can be destructive, especially for mechanically small polypropylene capacitors (with lead spacing of 5 – 15 mm), and great care has to be taken during soldering. In general, the wave soldering curve from IEC Publication 61760-1 Edition 2 serves as a solid guideline for successful soldering. Please see Figure 1. The recommended solder profiles from KEMET should be used. Please consult KEMET with any questions.

Reflow soldering is not recommended for through-hole film capacitors. Exposing capacitors to a soldering profile in excess of the above the recommended limits may result to degradation or permanent damage to the capacitors.

Do not place the polypropylene capacitor through an adhesive curing oven to cure resin for surface mount components. Insert through-hole parts after the curing of surface mount parts. Consult KEMET to discuss the actual temperature profile in the oven, if through-hole components must pass through the adhesive curing process. A maximum two soldering cycles is recommended. Please allow time for the capacitor surface temperature to return to a normal temperature before the second soldering cycle.

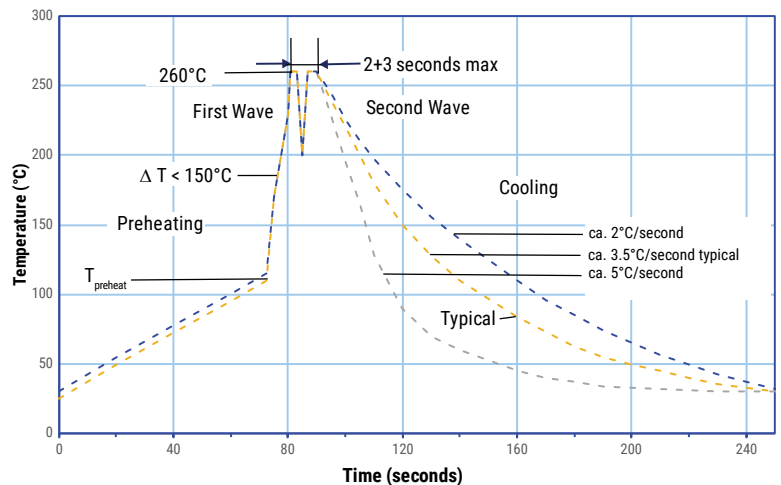
Manual Soldering Recommendations

Following is the recommendation for manual soldering with a soldering iron.



Soldering iron tip temperature should be set at 350°C (+10°C maximum) with the soldering duration not to exceed more than three seconds.

Wave Soldering Recommendations



Soldering Process cont.

Wave Soldering Recommendations cont.

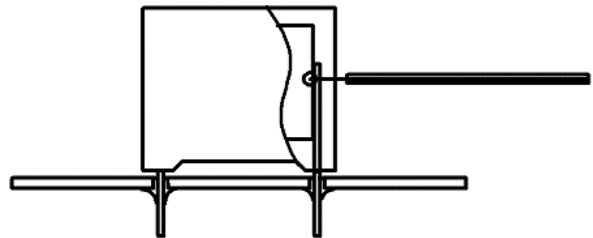
1. The table indicates the maximum set-up temperature of the soldering process
 Figure 1

| Dielectric Film Material | Maximum Preheat Temperature | | | Maximum Peak Soldering Temperature | |
|--------------------------|-----------------------------|-------------------------|-------------------------|------------------------------------|-------------------------|
| | Capacitor pitch ≤ 10 mm | Capacitor pitch = 15 mm | Capacitor pitch > 15 mm | Capacitor pitch ≤ 15 mm | Capacitor pitch > 15 mm |
| Polyester | 130°C | 130°C | 130°C | 270°C | 270°C |
| Polypropylene | 110°C | 110°C | 130°C | 260°C | 270°C |
| Paper | 130°C | 130°C | 140°C | 270°C | 270°C |
| Polyphenylene Sulphide | 150°C | 150°C | 160°C | 270°C | 270°C |

2. The maximum temperature measured inside the capacitor:

Set the temperature so that inside the element the maximum temperature is below the limit:

| Dielectric Film Material | Maximum temperature measured inside the element |
|--------------------------|---|
| Polyester | 160°C |
| Polypropylene | 110°C |
| Paper | 160°C |
| Polyphenylene Sulphide | 160°C |



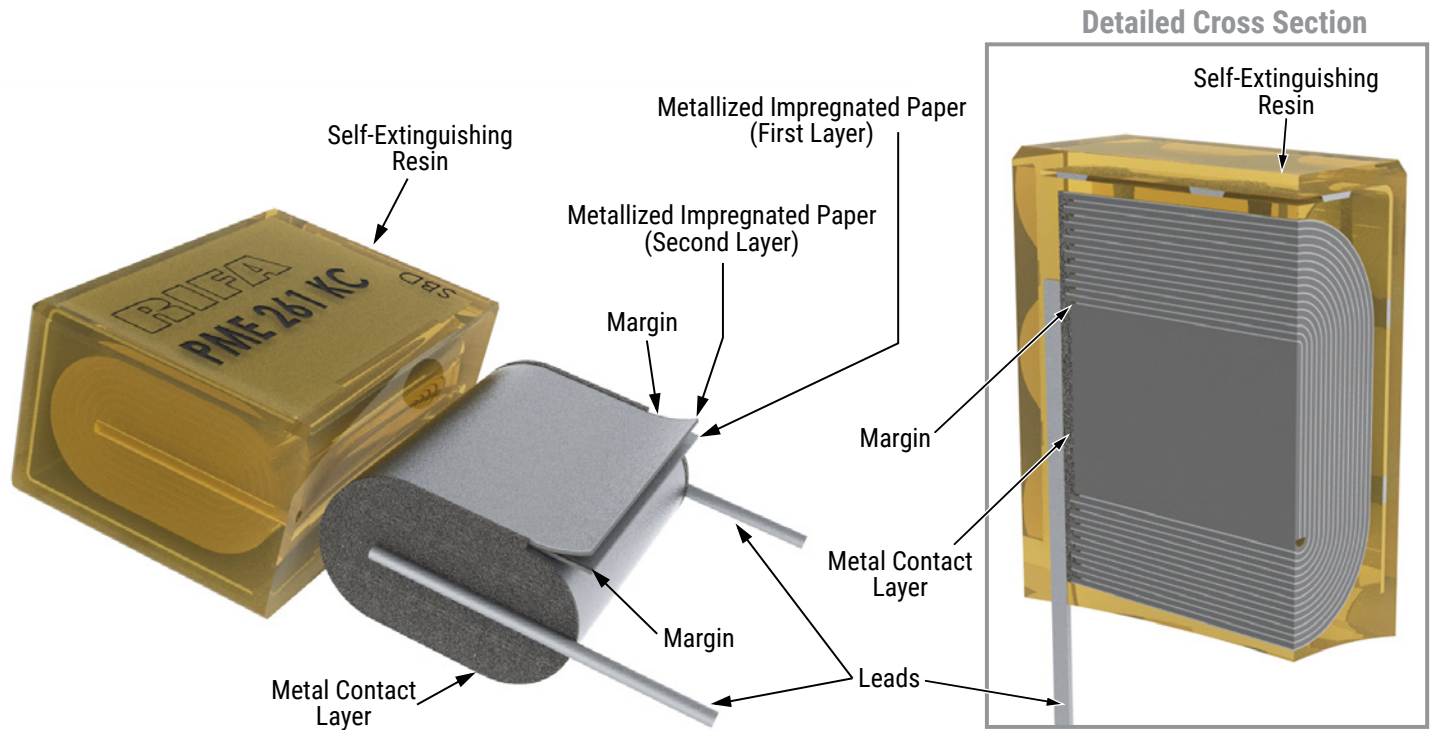
Temperature monitored inside the capacitor.

Selective Soldering Recommendations

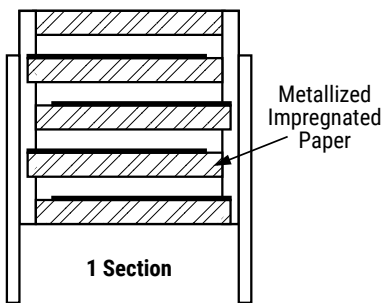
Selective dip soldering is a variation of reflow soldering. In this method, the printed circuit board with through-hole components to be soldered is preheated and transported over the solder bath as in normal flow soldering without touching the solder. When the board is over the bath, it is stopped, and pre-designed solder pots are lifted from the bath with molten solder only at the places of the selected components and pressed against the lower surface of the board to solder the components.

The temperature profile for selective soldering is similar to the double wave flow soldering outlined in this document; **however, instead of two baths, there is only one bath with a time of 3 to 10 seconds.** In selective soldering, the risk of overheating is greater than in double wave flow soldering, and great care must be taken so that the parts are not overheated.

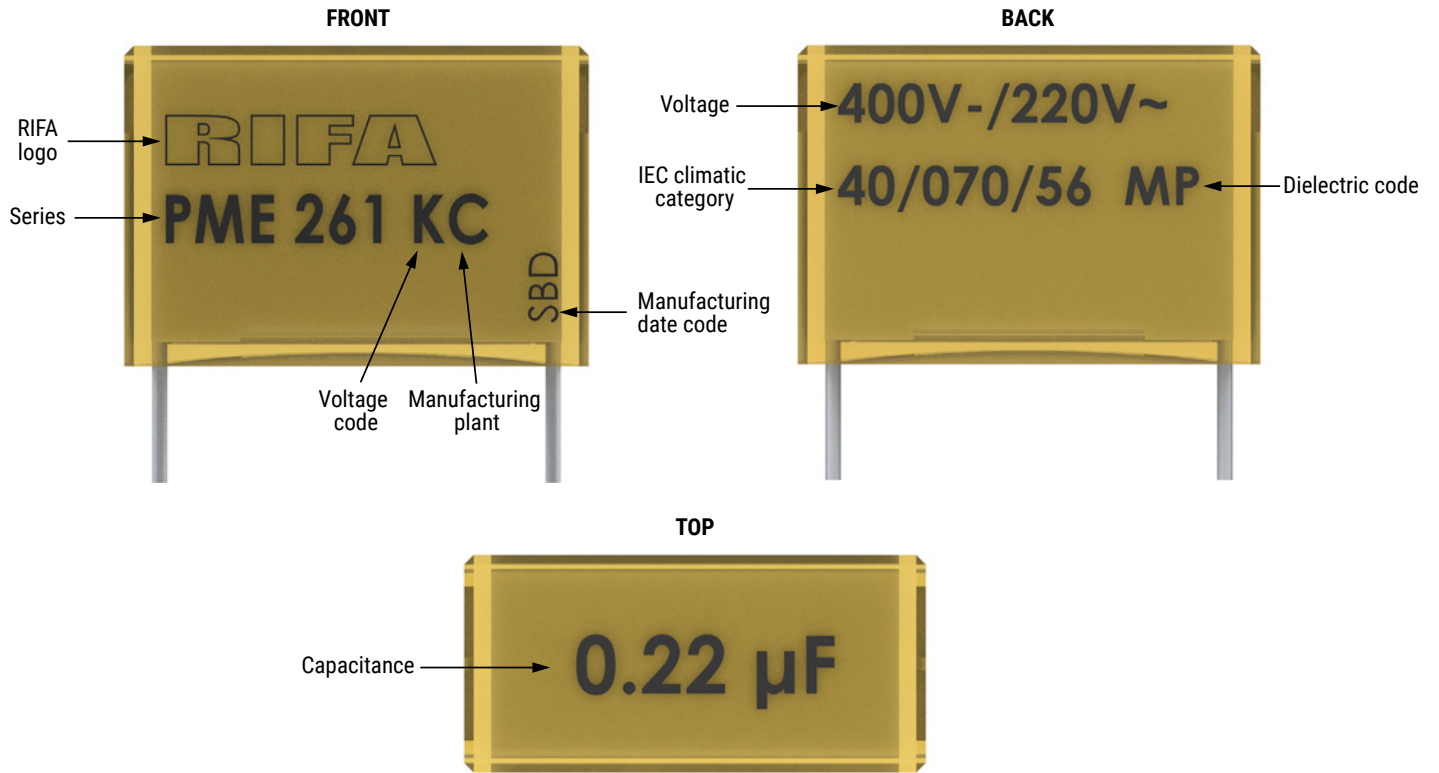
Construction



Winding Scheme



Marking

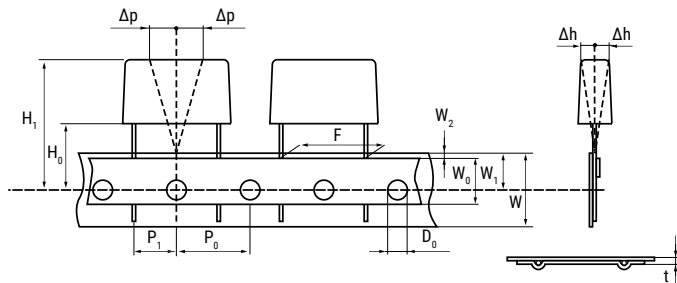


Packaging Quantities

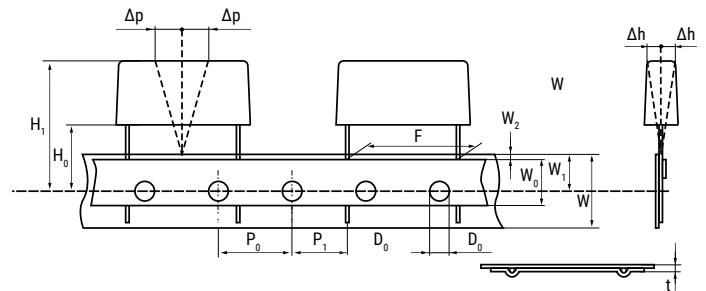
| Lead Spacing (mm) | Thickness (mm) | Height (mm) | Length (mm) | Bulk Short Leads | Bulk Long Leads | Standard Reel 360 mm | Large Reel 500 mm | Ammo Formed |
|-------------------|----------------|-------------|-------------|------------------|-----------------|----------------------|-------------------|-------------|
| 10.2 | 3.9 | 7.5 | 13.5 | 2,000 | 1,000 | 700 | 1,400 | 800 |
| | 4.1 | 8.2 | 13.5 | 2,000 | 1,000 | 600 | | 780 |
| | 5.1 | 10.5 | 13.5 | 1,600 | 800 | 600 | 1,200 | 630 |
| 15.2 | 5.5 | 12.5 | 18.0 | 1,000 | 500 | 600 | | |
| | 6.5 | 12.5 | 18.0 | 600 | 400 | 400 | | |
| | 7.5 | 14.5 | 18.0 | 600 | 400 | 400 | | |
| | 8.5 | 16.0 | 18.0 | 400 | 250 | 400 | | |
| | 5.2 | 10.5 | 18.5 | 1,000 | 500 | 600 | | |
| | 5.5 | 11.0 | 18.5 | 1,000 | 500 | 500 | | |
| | 6.0 | 12.5 | 18.5 | 600 | 400 | 400 | | |
| | 7.3 | 13.0 | 18.5 | 600 | 400 | 400 | 800 | |
| | 7.8 | 13.5 | 18.5 | 600 | 400 | 400 | | |
| 8.5 | 14.3 | 18.5 | 500 | 300 | 350 | | | |
| 20.3 | 7.6 | 14.0 | 24.0 | 1,500 | 250 | 250 | 500 | |
| | 8.4 | 14.0 | 24.0 | 1,200 | 200 | 250 | 500 | |
| | 9.0 | 15.0 | 24.0 | 1,500 | 200 | 250 | | |
| | 11.3 | 16.5 | 24.0 | 1,000 | 150 | 180 | 400 | |
| 25.4 | 10.6 | 16.1 | 30.5 | 1,000 | 150 | | | |
| | 10.5 | 17.3 | 30.5 | 1,000 | 100 | | | |
| | 12.1 | 19.0 | 30.5 | 800 | 100 | | | |
| | 15.3 | 22.0 | 30.5 | 600 | 75 | | | |

Lead Taping & Packaging (IEC 60286-2)

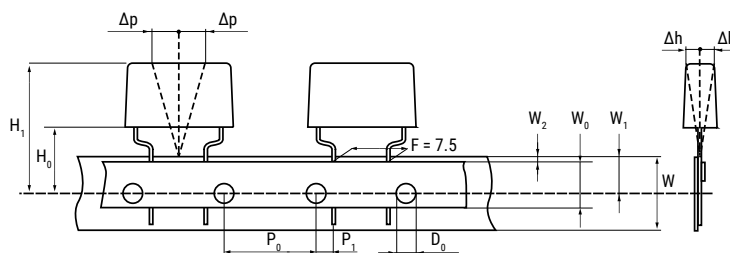
Lead Spacing 10.2 – 15.2 mm



Lead Spacing 20.3 – 22.5 mm



Formed Leads from 10.2 – 7.5 mm



Taping Specification

| Dimensions in mm | | | | | | | | Standard IEC 60286-2 |
|-------------------------------|-----------|-------------------------------|---------------------|----------|----------|----------|-------------|----------------------|
| Lead Spacing | +0.6/-0.1 | F | Formed 7.5 | 10.2 | 15.2 | 20.3 | 22.5 | F |
| Carrier Tape Width | ±0.5 | W | 18.0 | 18.0 | 18.0 | 18.0 | 18.0 | 18 +1/-0.5 |
| Hold-Down Tape Width | Minimum | W ₀ | 5.0 | 5.0 | 5.0 | 5.0 | 5.0 | |
| Position of Sprocket Hole | ±0.5 | W ₁ | 9.0 | 9.0 | 9.0 | 9.0 | 9.0 | 9 +0.75/-0.5 |
| Distance Between Tapes | Maximum | W ₂ | 3.0 | 3.0 | 3.0 | 3.0 | 3.0 | 3.0 |
| Sprocket Hole Diameter | ±0.2 | D ₀ | 4.0 | 4.0 | 4.0 | 4.0 | 4.0 | 4.0 |
| Feed Hole Lead Spacing | ±0.3 | P ₀ ⁽¹⁾ | 12.7 ⁽⁴⁾ | 12.7 | 12.7 | 12.7 | 12.7 | 12.7 |
| Distance Lead – Feed Hole | ±0.7 | P ₁ | 3.75 | 7.6 | 5.1 | 8.9 | 5.3 | P ¹ |
| Deviation Tape – Plane | Maximum | Δp | 1.3 | 1.3 | 1.3 | 1.3 | 1.3 | 1.3 |
| Lateral Deviation | Maximum | Δh | 2.0 | 2.0 | 2.0 | 2.0 | 2.0 | 2.0 |
| Total Thickness | ±0.2 | t | 0.7 | 0.7 | 0.7 | 0.7 | 0.9 Maximum | 0.9 Maximum |
| Sprocket Hole/Cap Body | Nominal | H ₀ ⁽²⁾ | 18 +2/-0 | 18 +2/-0 | 18 +2/-0 | 18 +2/-0 | 18.5 ±0.5 | 18 +2/-0 |
| Sprocket Hole/Top of Cap Body | Maximum | H ₁ ⁽³⁾ | 43 | 43 | 43 | 58 | 58 | 58 Maximum |

(1) Maximum cumulative feed hole error, 1 mm per 20 parts

(2) 16.5 mm available on request

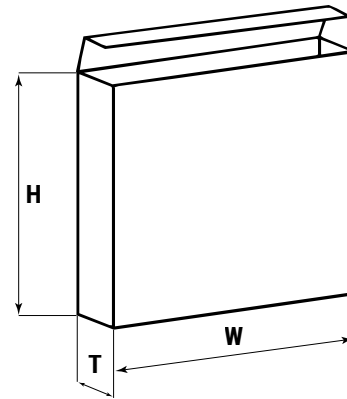
(3) Depending on case size

(4) 15 mm available on request

Lead Taping & Packaging (IEC 60286–2) cont.

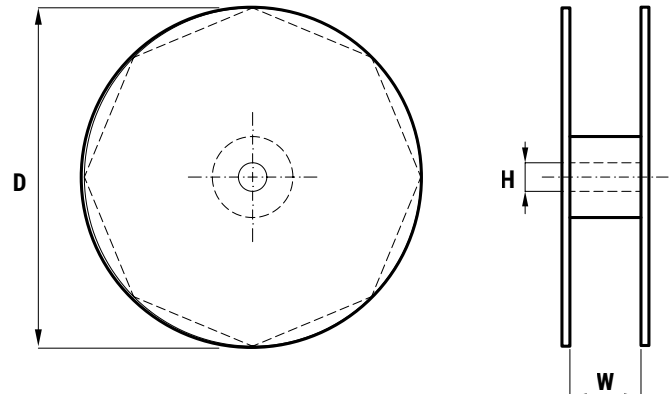
Ammo Specifications

| Series | Dimensions (mm) | | |
|------------------------|-----------------|-----|----|
| | H | W | T |
| R4x, R4x+R, R7x, RSB | 360 | 340 | 59 |
| F5A, F5B, F5D | | | |
| F6xx, F8xx | | | |
| PHExxx, PMExxx, PMRxxx | 330 | 330 | 50 |



Reel Specifications

| Series | Dimensions (mm) | | |
|------------------------|-----------------|----|----------|
| | D | H | W |
| R4x, R4x+R, R7x, RSB | 355 500 | 30 | 55 (Max) |
| F5A, F5B, F5D | | 25 | |
| F6xx, F8xx | | | |
| PHExxx, PMExxx, PMRxxx | 360 500 | 30 | 46 (Max) |



Manufacturing Date Code (IEC–60062)

| Y = Year, Z = Month | | | |
|---------------------|------|-----------|------|
| Year | Code | Month | Code |
| 2010 | A | January | 1 |
| 2011 | B | February | 2 |
| 2012 | C | March | 3 |
| 2013 | D | April | 4 |
| 2014 | E | May | 5 |
| 2015 | F | June | 6 |
| 2016 | H | July | 7 |
| 2017 | J | August | 8 |
| 2018 | K | September | 9 |
| 2019 | L | October | 0 |
| 2020 | M | November | N |
| 2021 | N | December | D |
| 2022 | P | | |
| 2023 | R | | |
| 2024 | S | | |
| 2025 | T | | |
| 2026 | U | | |
| 2027 | V | | |
| 2028 | W | | |
| 2029 | X | | |
| 2030 | A | | |

KEMET Electronics Corporation Sales Offices

For a complete list of our global sales offices, please visit www.kemet.com/sales.

Disclaimer

All product specifications, statements, information and data (collectively, the "Information") in this datasheet are subject to change. The customer is responsible for checking and verifying the extent to which the Information contained in this publication is applicable to an order at the time the order is placed. All Information given herein is believed to be accurate and reliable, but it is presented without guarantee, warranty, or responsibility of any kind, expressed or implied.

Statements of suitability for certain applications are based on KEMET Electronics Corporation's ("KEMET") knowledge of typical operating conditions for such applications, but are not intended to constitute – and KEMET specifically disclaims – any warranty concerning suitability for a specific customer application or use. The Information is intended for use only by customers who have the requisite experience and capability to determine the correct products for their application. Any technical advice inferred from this Information or otherwise provided by KEMET with reference to the use of KEMET's products is given gratis, and KEMET assumes no obligation or liability for the advice given or results obtained.

Although KEMET designs and manufactures its products to the most stringent quality and safety standards, given the current state of the art, isolated component failures may still occur. Accordingly, customer applications which require a high degree of reliability or safety should employ suitable designs or other safeguards (such as installation of protective circuitry or redundancies) in order to ensure that the failure of an electrical component does not result in a risk of personal injury or property damage.

Although all product-related warnings, cautions and notes must be observed, the customer should not assume that all safety measures are indicated or that other measures may not be required.

KEMET is a registered trademark of KEMET Electronics Corporation.

X-ON Electronics

Largest Supplier of Electrical and Electronic Components

Click to view similar products for [Film Capacitors](#) category:

Click to view products by [Kemet](#) manufacturer:

Other Similar products are found below :

[F450KG153J250ALH0J](#) [750-1018](#) [FKP1-1000160010P15](#) [FKP1-1500160010P15](#) [82EC1100DQ50K](#) [MMWAF150KME](#)
[PFR5101J100J11L16.5TA18](#) [PME261JB5220KR19T0](#) [A521HH333M035C](#) [A561ED221M450A](#) [QXJ2E474KTPT](#) [QXL2B333KTPT](#)
[QXM2G104K](#) [DMT2P22](#) [EEC2G505HQA406](#) [B32520C6332K000](#) [B32522C6104K000](#) [B32676E6755K](#) [C3B2AD44400B20K](#)
[SCD105K122A3-22](#) [2N3155](#) [F601BL225K063CL60A](#) [FKP1-2202KV5P15](#) [FKS3-680040010P10](#) [445450-1](#) [B32523Q0475K000](#)
[46KR415050M1K](#) [4BSNBX4100ZBFJ](#) [4DCNAQ4450ZA0J](#) [MKP383510063JKP2T0](#) [MKT 1813-368-015](#) [MKT182022263473](#) [4055292001](#)
[WMC08P22](#) [WMF1S15](#) [WMF4S68](#) [EEC2E106HQA405](#) [EEC2G805HQA415](#) [82DC3100DQ50J](#) [82EC2150DQ50K](#) [WMF4D68](#) [WMF1D68](#)
[B25620B118K883](#) [ECW-F2105JAC](#) [B25620B158K883](#) [66MD2100CK7AK](#) [A521HH471M450C](#) [97F8038](#) [NRM-S225K250F](#)
[730P205X9400](#)