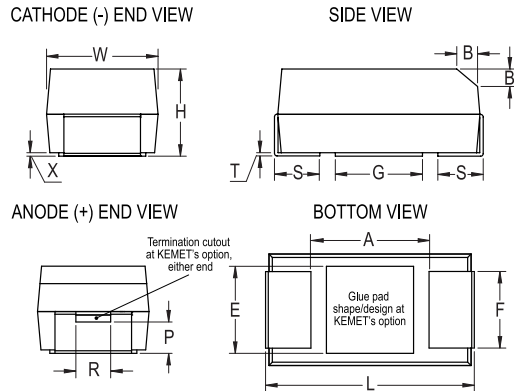


T493 HRA, Tantalum, MnO2 Tantalum, HRA, 2.2 uF, 10%, 20 VDC, SMD, MnO2, Molded, High Reliability, B (0.1%/1000 Hrs), 4 Ohms, 3216, Height Max = 1.8mm



| General Information | |
|---------------------|---|
| Series: | T493 HRA |
| Dielectric: | MnO2 Tantalum |
| Style: | SMD Chip |
| Description: | SMD, MnO2, Molded, High Reliability |
| Features: | High Reliability |
| RoHS: | Yes |
| Termination: | Gold |
| AEC-Q200: | No |
| Notes: | P and R dimensions represents the minimum solderable area of the termination surface entirely below cutout (if one is present). |

| Dimensions | |
|------------|-----------------|
| Footprint | 3216 |
| L | 3.2mm +/-0.2mm |
| W | 1.6mm +/-0.2mm |
| H | 1.6mm +/-0.2mm |
| T | 0.13mm REF |
| S | 0.8mm +/-0.3mm |
| F | 1.2mm +/-0.1mm |
| A | 1.2mm MIN |
| B | 0.4mm +/-0.15mm |
| E | 1.3mm REF |
| G | 1.1mm REF |
| P | 0.35mm MIN |
| R | 0.4mm REF |
| X | 0.1mm +/-0.1mm |

| Specifications | |
|--------------------------|--|
| Capacitance: | 2.2 uF |
| Capacitance Tolerance: | 10% |
| Voltage DC: | 20 VDC (85C), 13.4 VDC (125C) |
| Temperature Range: | -55/+125°C |
| Rated Temperature: | 85°C |
| Dissipation Factor: | 6.00% 120Hz 25C |
| Failure Rate: | B (0.1%/1000 Hrs) |
| Resistance: | 4 Ohms (100kHz 25C) |
| Leakage Current: | 0.5 uA (5min 25°C) |
| Testing and Reliability: | 10 Cycles Surge Current Testing At -55C And +85C After Weibull |

| Packaging Specifications | |
|--------------------------|------------|
| Weight: | 58.97 mg |
| Packaging: | T&R, 178mm |
| Packaging Quantity: | 2000 |

Statements of suitability for certain applications are based on our knowledge of typical operating conditions for such applications, but are not intended to constitute - and we specifically disclaim - any warranty concerning suitability for a specific customer application or use. This Information is intended for use only by customers who have the requisite experience and capability to determine the correct products for their application. Any technical advice inferred from this Information or otherwise provided by us with reference to the use of our products is given gratis, and we assume no obligation or liability for the advice given or results obtained.

X-ON Electronics

Largest Supplier of Electrical and Electronic Components

Click to view similar products for [Tantalum Capacitors - Solid SMD category:](#)

Click to view products by [Kemet manufacturer:](#)

Other Similar products are found below :

[B45197-A2157-M509](#) [B45197A5226M409](#) [CWR09JC105KCB\M100](#) [CWR11CH107KBA](#) [TCSCS1A336KBAR](#) [419-2060-501](#) [B45196-H5106-K309](#) [B45196-H6226-K509](#) [CWR29JC106KBEZ](#) [T83D475K050RCCL](#) [591D158X06R3R2T20H](#) [M39006/22-0640H](#) [M39003/01-2596](#) [TCSCS1A476KBAR](#) [T83E107K016RCCL](#) [T83D685K035RCCL](#) [293D475X0035B2DE3](#) [TMCMB1C475KTRF](#) [293D155X9020A2DE3](#) [298W476X06R3M2T](#) [298W107X0004M2T](#) [CWR29NC225KDFC](#) [CWR29KC156KDHC\100](#) [CWR29HH155KCBB](#) [293D476X9035E2TE3](#) [CWR29KC226JCGC](#) [T513X227K016BH4585](#) [T97H107M040HSA](#) [595D686X9010B2T](#) [T25D337M016CSZ](#) [591D156X9025R8T15H](#) [594D686X9016C2T](#) [595D106X0025C8T](#) [CWR29DC226KBDA\TR](#) [CWR29FC106KBBA\TR](#) [CWR29FC686KBGA\TR](#) [CWR29FC157KBXA\TR](#) [CWR29HC105KBAA\TR](#) [CA55-B6R3M107T](#) [CA55-E025M107T](#) [TC212B475K035Y](#) [TAZH685K035LBSB0824](#) [TAZG107K010LBSB0800](#) [TAZH475K050LBSB0H23](#) [TAZH156K025CBSZ0824](#) [TBJD156K025CBSZ0824](#) [TMCSA1V154MTRF](#) [TMCSA0J225MTRF](#) [TMCSA1A155MTRF](#) [TMCSA1D684MTRF](#)