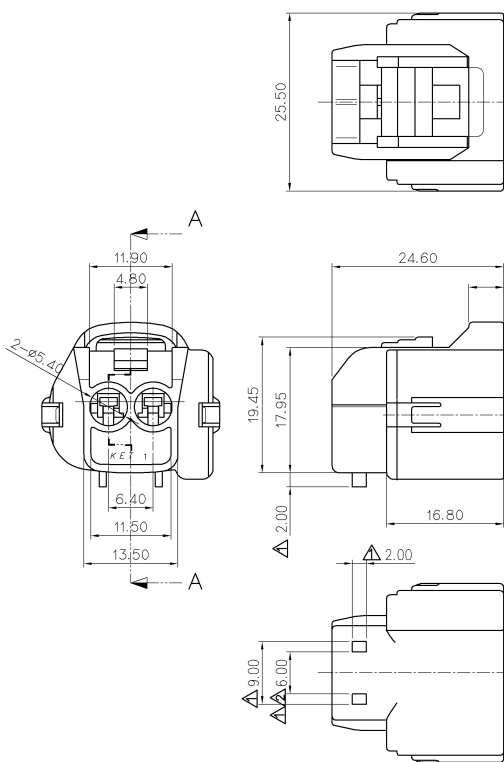


PART NO MG641637

CUSTOMER DRAWING



주 기

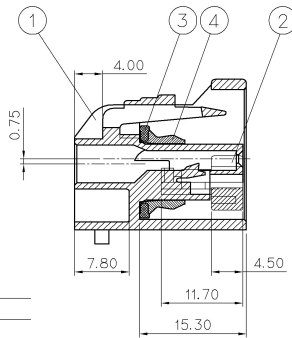
1. 제품기능상 유해한 BURR, 변형 및 WELDLINE 등이 없을 것.
2. 적용 TERMINAL : ST730623, 624, 625
3. 적용 WIRE SEAL : MG681114, 1115, 1119, 1116
4. 적용 HOUSING: MG661632 (FRT B/H 2P)  
MG661750 (LICENCE B/H 2P)
- △ 5. 제품내 함유된 6대 유해물질 (납, 수은, 카드뮴, 6가크롬, PBBs, PBDEs)은 EU ELV 지침 및 RoHS 법규에서 지정한 최대 허용 농도를 초과해서는 안된다.

GENERAL TOLERANCE (HOUSING)					USED ON
10MAX	20MAX	45MAX	ANGLE	ECCENT	MG661632
±0.20	±0.25	±0.30	±30'	0.10	MG661750

NO	MATERIAL	COLOR
0		NATURAL
1	P B T	RED
2		BLUE
20		JADE
3		YELLOW
4		GRAY
40		DARK GRAY
41		LIGHT GRAY
5		BLACK
6		DARK GREEN
7		BROWN
8		LIGHT GREEN
9		MAGENTA
11		ORANGE

NOTE

1. MUST BE FREE OF FLASH, WELDLINE AND IMPERFECTION THAT AFFECT FUNCTION.
2. APPLICABLE TERMINAL : ST730623, 624, 625
3. APPLICABLE WIRE SEAL : MG681114, 1115, 1119, 1116
4. APPLICABLE HOUSING : MG661632 (FRT B/H 2P)  
MG661750 (LICENCE B/H 2P)
- △ 5. 6 HAZARDOUS SUBSTANCES IN PARTS (LEAD, MERCURY, CADMIUM, HEXAVALENT CHROMIUM, PBBs, PBDEs) SHALL NOT EXCEED THE MAXIMUM PERMISSIBLE CONCENTRATION PRESCRIBED UNDER EU ELV DIRECTIVE & RoHS REGULATION.



SECTION A-A

NO.	PART NO.	PART NAME	MATERIAL	FINISH
1	MG671635	090 II W/P 2P REC. HS'G(I)GN-RH)	SEE TABLE	SEE TABLE
2	MG671636	090 II W/P 2P REC. FRONT HOLDER	SEE TABLE	NATURAL
3	MG671638	090 II W/P 2P REC. I/SEAL STOPPER	PBT	BLACK
4	P900781	090 II W/P 2P INNER SEAL	SILICONE	RED

ISSUE MARK

△	배기장비용(0900310)은기 체결용 (SPACER 및 LOCK) 부품용	KMH	08.12.15	MATERIAL	SEE TABLE	KETA KOREA ELECTRIC TERMINAL CO., LTD.
△	배기장비용(0900000) 부품	HEO	000504	FINISH	SEE TABLE	
△	배기장비용(0900000) 부품용 (GEAR COVER 포함)	HEO	000224	WIRE RANGE	CLASS	Y7283-7020-10
LTR	REVISION RECORD	DR	CHK	APP	DATE	
DR	HEO '98.09.28	CHK	9/28	DATE	SCALE	MG641637
CHK		APP	9/29	DATE	PART NAME	.090 II WP 2P REC. ASS'Y (IGN COILWS : RH)

DIMENSIONS IN MM

## X-ON Electronics

Largest Supplier of Electrical and Electronic Components

*Click to view similar products for [Automotive Connectors](#) category:*

*Click to view products by [KET](#) manufacturer:*

Other Similar products are found below :

[003-018-000](#) [60993906-B](#) [72.330.1035.1](#) [776880-1](#) [827153-1](#) [9-1326729-8](#) [9-221607-5](#) [925474-1](#) [928905-1](#) [964562-4](#) [968782-1](#) [12004468](#)  
[12004475-L](#) [12004483](#) [12052466](#) [12066163](#) [12015909](#) [12077753](#) [1-21030-1](#) [12047957](#) [12047958](#) [12084688](#) [12185550](#) [12336-12](#) [1-](#)  
[326211-1](#) [13681974](#) [13688972](#) [13755420](#) [13779834](#) [13783086](#) [13843152](#) [13522378](#) [13581967](#) [13669624](#) [13675513](#) [13753471](#) [13946876](#)  
[13953457](#) [13955963](#) [13964573](#) [13971791](#) [13790534-L](#) [13797473](#) [13805590](#) [13888202](#) [1428188-1](#) [1437287-3](#) [1428188-2](#) [DS07-19S-5020](#)  
[1456983-5](#)