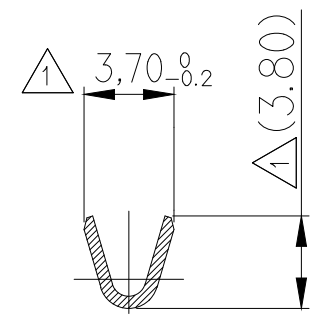
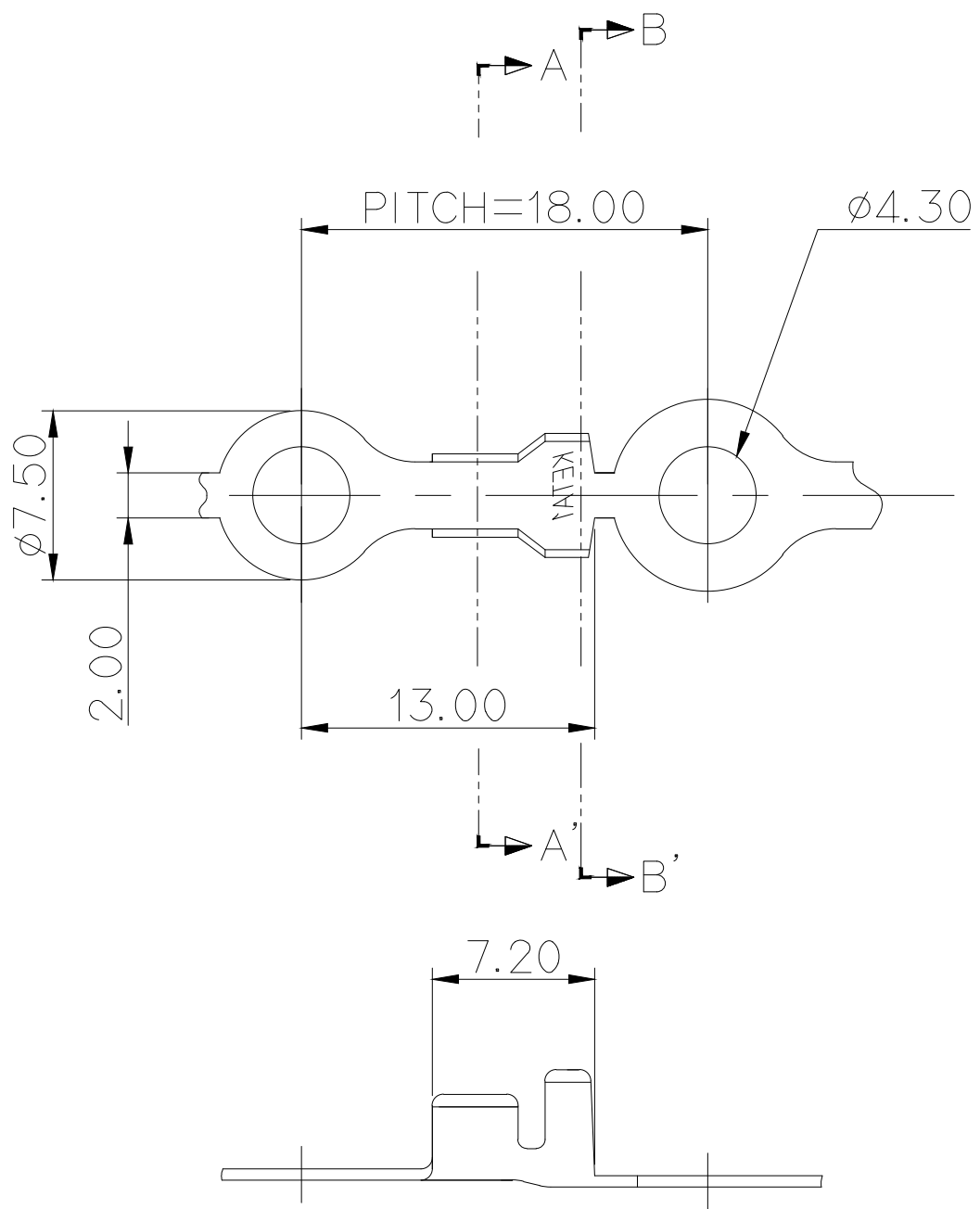
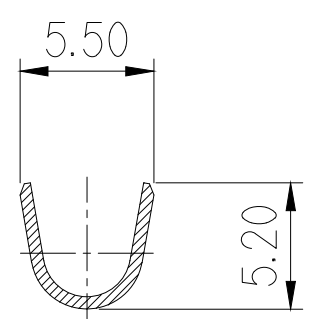


GENERAL TOLERANCE (TERMINAL)						USED ON
10MAX	50MAX	100MAX	250MAX	ANGLE	ECCENT	
±0.15	±0.2	±0.3	±0.5	±30'	0.1	



SECTION A-A'



SECTION B-B'

주 기

- 기능상 유해한 BURR 및 CRACK등이 없을 것.
- 제품 내 함유된 6대 유해물질 (납, 수은, 카드뮴, 6가 크롬 PBBs, PBDEs)은 EU ELV 지침 및 RoHS 법규에서 지정한 최대 허용농도를 초과해서는 안 된다.

No	FINISH
1	BRASS
2	BRASS/TIN
3	PRE-TIN

NOTE

- MUST BE FREE OF BURR, CRACK AND IMPERFECTION THAT AFFECT FUNCTION.
- 6 HAZARDOUS SUBSTANCE IN PARTS (LEAD, MERCURY, CADMIUM, HEXAVALENT CHROMIUM, PBBs, PBDEs) SHALL NOT EXCEED THE MAXIMUM PERMISSIBLE CONCENTRATION PRESCRIBED BY THE EU ELV DIRECTIVE & THE ROHS REGULATION.

APPROVED

2016-03-09

**KOREA ELECTRIC
TERMINAL CO., LTD.
Electronic Product
Development Team**

ISSUE MARK

					MATERIAL	BRASS 0.5t	KIET KOREA ELECTRIC ENGINEERED TERMINAL CO., LTD.	
					FINISH	SEE TABLE		
					WIRE RANGE	0.5~2.0mm ²	CLASS	INTERMICO
					INSULATION	Ø2.6~3.8mm ²	TYPE	SRA51-4
LTR	REVISION RECORD	DR.	CHK.	APP.	DATE	TOLERANCE EXCEPT AS NOTED	SCALE	PART NO.
						SEE TABLE	2/1	ST710095
DR.	김	'81.03.20	CHK.					
CHK.	KIM	'81.04.01	APP.	Wafu				
						PART NAME		
						RING TERMINAL(STUD:4.3)		

X-ON Electronics

Largest Supplier of Electrical and Electronic Components

Click to view similar products for [Terminals](#) category:

Click to view products by [KET](#) manufacturer:

Other Similar products are found below :

[00-054007-01074-6](#) [00-054007-70206-1](#) [00-054007-70210-8](#) [00-054007-70217-7](#) [00-054007-70228-3](#) [00-054007-70256-6](#) [00-054007-70316-7](#) [00-054007-49560-4](#) [00-054007-70209-2](#) [00-054007-70231-3](#) [00-054007-70241-2](#) [00-054007-70242-9](#) [00-054007-70246-7](#) [00-054007-70263-4](#) [00-054007-70288-7](#) [00-054007-70290-0](#) [00-054007-70300-6](#) [00-054007-70304-4](#) [01-2900-1-04412](#) [600TS-10](#) [605601-1](#) [60617-1-C](#) [61314-6-C](#) [61810-3](#) [626-0194](#) [63-S](#) [M55155/079C01](#) [M55155/099B03](#) [M55155/109H01](#) [M55155/29XJ08](#) [M55155/30-6S](#) [M55155/30-9S](#) [M55155/30XI09](#) [M6-14RSX](#) [696683-1](#) [696861-1](#) [696999-1](#) [M86700006](#) [D18-110B-C](#) [D18-110B-M](#) [701-1955](#) [701-2003](#) [701-2007](#) [701-2013](#) [701-2018](#) [701-2069](#) [701-2077-60](#) [701-2315](#) [701-2430](#) [701-2480](#)