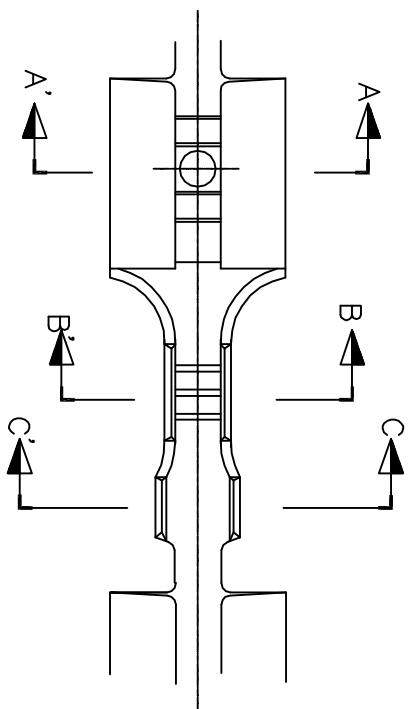
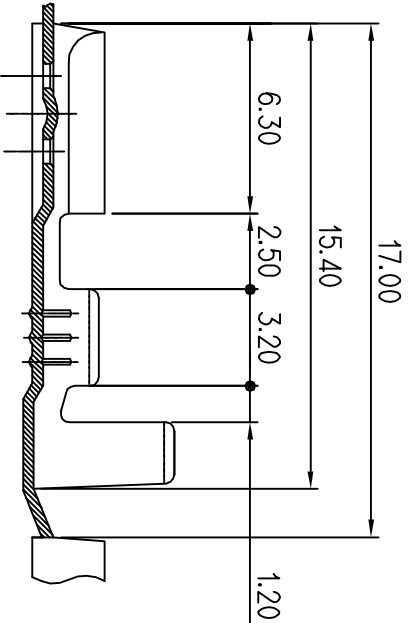
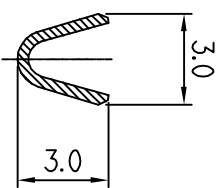


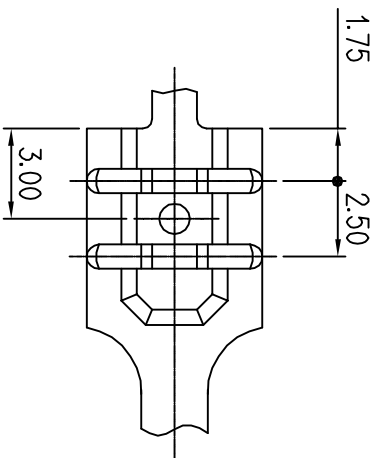
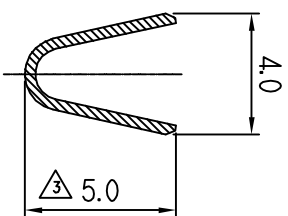
(DIMENSIONS IN MM)



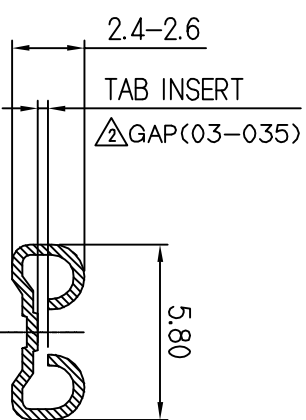
SECTION 'B'



SECTION 'C'



SECTION 'A'



GENERAL TOLERANCE (TERMINAL)				USED ON
10MAX	20MAX	45MAX	ANGLE	ECCENT
±0.2	±0.25	±0.3	±30'	0.1

NOTE

- MUST BE FREE OF FLASH, SINK AND IMPERFECTION THAT AFFECT FUNCTION.
- HAZARDOUS SUBSTANCES IN PARTS (Lead, Mercury, Cadmium, Hexavalent Chromium, PBBs, PBDEs) SHALL NOT EXCEED THE MAXIMUM PERMISSIBLE CONCENTRATION PRESCRIBED UNDER EU ELV DIRECTIVE & RoHS REGULATION

주 기

- 기능상 유해한 흠, 변형 및 BURR 등이 없을 것
- 제품 내 함유된 6대 유해물질 (납, 수은, 카드뮴, 6가 크롬, PBBs, PBDEs)은 EU ELV 지침 및 RoHS 법규에서 지정한 최대 허용농도를 초과해서는 안 된다.

No	THICK	FINISH	TAB
1	BRASS	UNPLATE	0.5t
2	0.35t	UNPLATE	0.8t
3		TIN	
4		UNPLATE	
5		TIN	
6		NI	

구분	PART NO.(LINE)	MARKING
1	ST730245-2	KET2
	ST730245-5	KETN

ISSUE MARK

ECO-1112-0629가 도면 수정	CM	KSH	11.12.13	MATERIAL	SEE TABLE
설계시정변경(S110128)노키 도면 제작성	KSU	11.04.27	FINISH	SEE TABLE	KEEJ KOREA ELECTRIC [ENGINEERED] TERMINAL CO., LTD.
설계시정변경(S070228)노키 도면 제작성	PM	07.10.16	WIRE RANGE	AWG 20-16	
설계시정변경(S040118)노키 도면 수정	JIN	04.09.03	INSULATION		TYPE STRIP
작성인 변경 수정	JK	94.09.12	SCALE	4/1	PART NO. ST730245
REVISION RECORD	DR. CHK. APP.	DATE	TOLERANCE EXCEPT AS NOTED		
DR. <i>Shoq</i>	CHK.		SEE TABLE		
CHK. <i>S. W. Kee</i>	APP. <i>W. Kee</i>		PART NAME .187 SLIP-ON REC		

X-ON Electronics

Largest Supplier of Electrical and Electronic Components

Click to view similar products for [Headers & Wire Housings](#) category:

Click to view products by [KET](#) manufacturer:

Other Similar products are found below :

[0015917161](#) [0022155065](#) [57102-F02-18ULF](#) [58102-G61-06LF](#) [582553-1](#) [01.001.5753.1](#) [0050291907](#) [02.125.8002.8](#) [609-3404](#) [61062-3](#)
[CSU011177004](#) [622-0430](#) [622-3653LF](#) [63453-116](#) [636-1030](#) [636-1427](#) [636-3427](#) [636-4007](#) [641938-9](#) [65495-038](#) [65692-001LF](#) [65781-018](#)
[65781-047](#) [65817-010LF](#) [65817-015LF](#) [67095-007LF](#) [67601157](#) [68631-112](#) [68645-018](#) [699319-000](#) [70.362.1628.0](#) [70-4210](#) [70-4226B](#) [70-](#)
[4853B](#) [71.350.2428.0](#) [733-134](#) [733-162](#) [760-3052](#) [MHR-64-VUAL](#) [80.063.4001.1](#) [800-90-001-10-001000](#) [801-43-002-10-013000](#)
[801-43-006-10-002000](#) [803-43-024-10-001000](#) [803-93-012-10-001000](#) [8-1437020-4](#) [819-22-004-30-001101](#) [820-22-006-30-001101](#)
[820-22-008-30-001101](#) [821-22-002-10-001101](#)