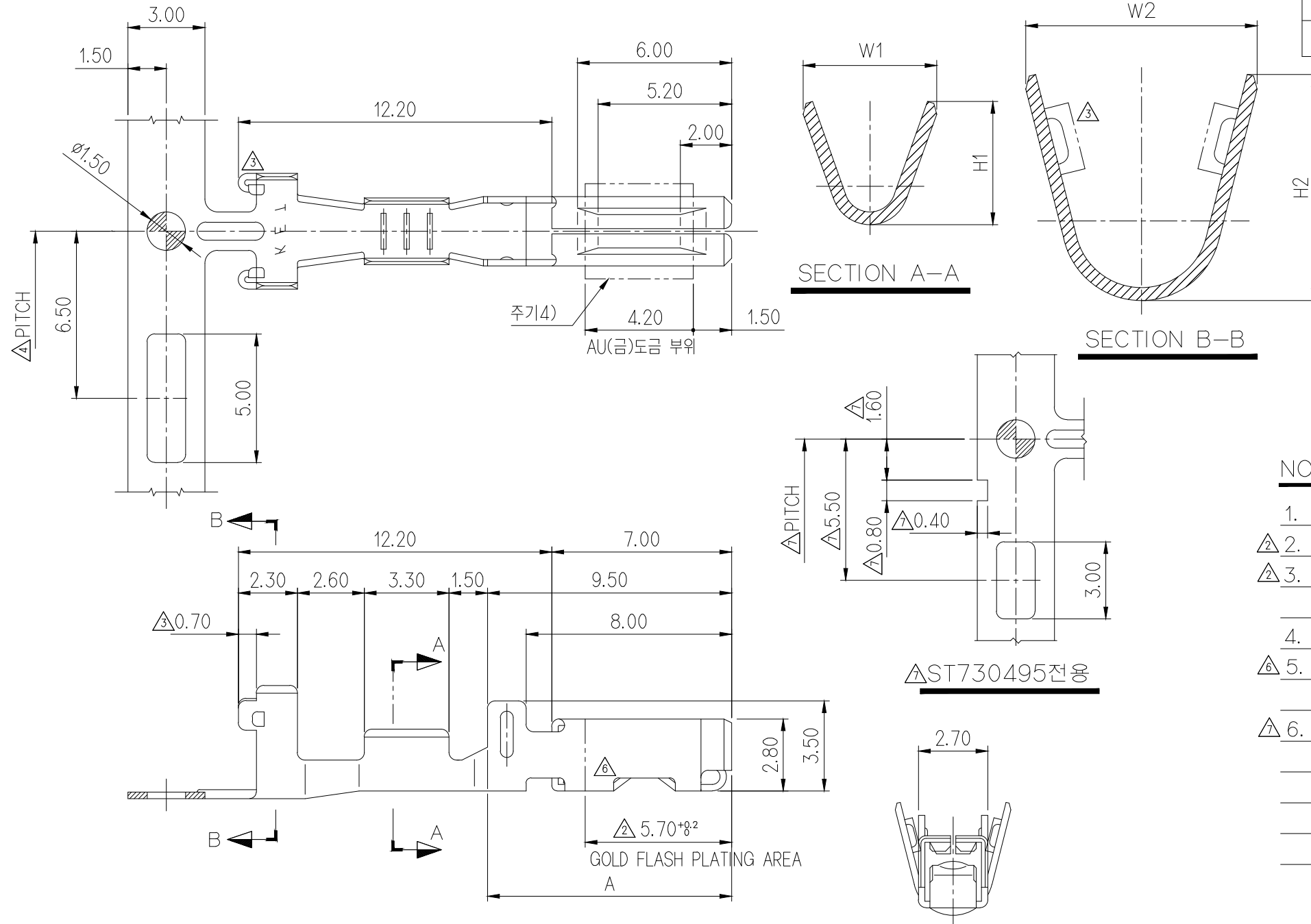


PART NO.  $\triangle$  SEE TABLE

CUSTOMER DRAWING



GENERAL TOLERANCE (TERMINAL)					USED ON
10MAX	20MAX	45MAX	ANGLE	ECCENT	
$\pm 0.20$	$\pm 0.25$	$\pm 0.30$	$\pm 30'$	0.10	

**주 기**

- MATERIAL은 COPPER ALLOY,  $t=0.25$
- Au도금사양은  $\triangle$ 의 규격을 만족하며 최대 도금범위는 A부 이내일 것.
- Au 도금 사양은 KET Au도금 SPEC에 준함.
- 점선 부위(4.2) BOX 내부는 Au(금)도금 한다.
- TERMINAL TENSION : IN, OUT(초기): 0.8Kgf이하, OUT(10회후): 0.3Kgf 이상
- 제품내 함유된 6대 유해물질 (납,수은,카드뮴,6가크롬, PBBs,PBDEs)은 EU ELV 지침 및 RoHS 법규에서 지정한 최대 허용 농도를 초과해서는 안된다.

**NOTE**

- MATERIAL IS COPPER ALLOY,  $t=0.25$
- Au PLATING SPEC SHOULD BE SPEC  $\triangle$ , MAX 'A' AREA.
- Au PLATING SPEC SHOULD BE SPEC ON KET Au PLATING SPEC.
- INSIDE HIDDEN LINE(4.2) BOX COAT Au(GOLD) PLATING.
- TERMINAL TENSION : IN, OUT(FIRST) : MAX 0.8Kgf, OUT(AFTER 10 TIMES) : MIN 0.3Kgf.
- 6 HAZARDOUS SUBSTANCES IN PARTS (LEAD, MERCURY, CADMIUM, HEXAVALENT CHROMIUM, PBBs, PBDEs) SHALL NOT EXCEED THE MAXIMUM PERMISSIBLE CONCENTRATION PRESCRIBED UNDER EU ELV DIRECTIVE & RoHS REGULATION.

$\triangle$  ST730495 전용

NO	PART NO	PITCH	FINISH		DIMENSION				WIRE RANGE (mm <sup>2</sup> )
					W1	H1	W2	H2	
1	ST731104	11.0	-3	PRE-TIN	1.90	(2.05)	4.5	4.4	CHFUS 0.22 , AVSS 0.22
2	ST731418		-3	PRE-TIN	2.1	2.1	4.5	4.4	AVSS 0.3
3	ST730495		-3	PRE-TIN	2.6	2.4	4.5	4.4	AVS 0.3, 0.5, 0.85
		-G	GOLD (AU)	AVX 0.75f, 0.85					
4	ST730496	13.0	-3	PRE-TIN	$\triangle$ 3.6	$\triangle$ 3.4	5.1	4.9	AV(S) 0.85, 1.25
			-G	GOLD (AU)	AEX(AVX) 0.85, 1.25 AVSS 2.0				

$\triangle$ ECO-1502-286 근거 도면 제작성	LKS	CKY	CWK	15.03.03	
$\triangle$ 설계사양변경(S080052)근거 도면제작성 (시양 추가)	YSW			08.03.07	
$\triangle$ 설계사양변경(S080016)근거 도면 수정 (CARRIER부 홈 추가 및 전용 DIE 제작)	CDH			08.02.05	
$\triangle$ 형상변경 및 주기 추가 (2곳)				96.04.08	
$\triangle$ 압착인장력 증대를 위한 치수 변경	元			95.06.22	
$\triangle$ PITCH 치수변경(추가제작금형)	JIN			94.05.12	
$\triangle$ 형상변경(SEAL 찢어짐 개선)	JIN			94.02.25	
$\triangle$ 가공 후 금도금 범위 추가	SIK			93.08.06	
$\triangle$ 적용 전선 범위 확대				92.07.07	
LTR	REVISION RECORD	DR.	CHK.	APP.	DATE
DR.	91.12.23	CHK.	12/26		
CHK.		APP.			

MATERIAL	SEE NOTE	<b>KET</b> KOREA ELECTRIC ENGINEERED	KOREA ELECTRIC TERMINAL CO., LTD.
FINISH	SEE TABLE		
WIRE RANGE	SEE TABLE	CLASS	
INSULATION	SEE TABLE	TYPE 7116-1471	
TOLERANCE EXCEPT AS NOTED	SEE TABLE	SCALE 5/1	PART NO. $\triangle$ SEE TABLE
PART NAME		SWP FEMALE TERMINAL	

**APPROVED**  
2016-03-09  
KOREA ELECTRIC  
TERMINAL CO., LTD.  
Connector Development Team 2

ISSUE MARK

DIMENSIONS IN MM

## X-ON Electronics

Largest Supplier of Electrical and Electronic Components

*Click to view similar products for [Headers & Wire Housings](#) category:*

*Click to view products by [KET](#) manufacturer:*

Other Similar products are found below :

[0015917161](#) [0022155065](#) [57102-F02-18ULF](#) [58102-G61-06LF](#) [582553-1](#) [01.001.5753.1](#) [0050291907](#) [02.125.8002.8](#) [609-3404](#) [61062-3](#)  
[CSU011177004](#) [622-0430](#) [622-3653LF](#) [63453-116](#) [636-1030](#) [636-1427](#) [636-3427](#) [636-4007](#) [641938-9](#) [65495-038](#) [65692-001LF](#) [65781-018](#)  
[65781-047](#) [65817-010LF](#) [65817-015LF](#) [67095-007LF](#) [67601157](#) [68631-112](#) [68645-018](#) [699319-000](#) [70.362.1628.0](#) [70-4210](#) [70-4226B](#) [70-](#)  
[4853B](#) [71.350.2428.0](#) [733-134](#) [733-162](#) [MHR-64-VUAL](#) [80.063.4001.1](#) [800-90-001-10-001000](#) [801-43-002-10-013000](#) [801-43-006-10-](#)  
[002000](#) [803-43-024-10-001000](#) [803-93-012-10-001000](#) [8-1437020-4](#) [819-22-004-30-001101](#) [820-22-006-30-001101](#) [820-22-008-30-001101](#)  
[821-22-002-10-001101](#) [821-22-003-10-002101](#)