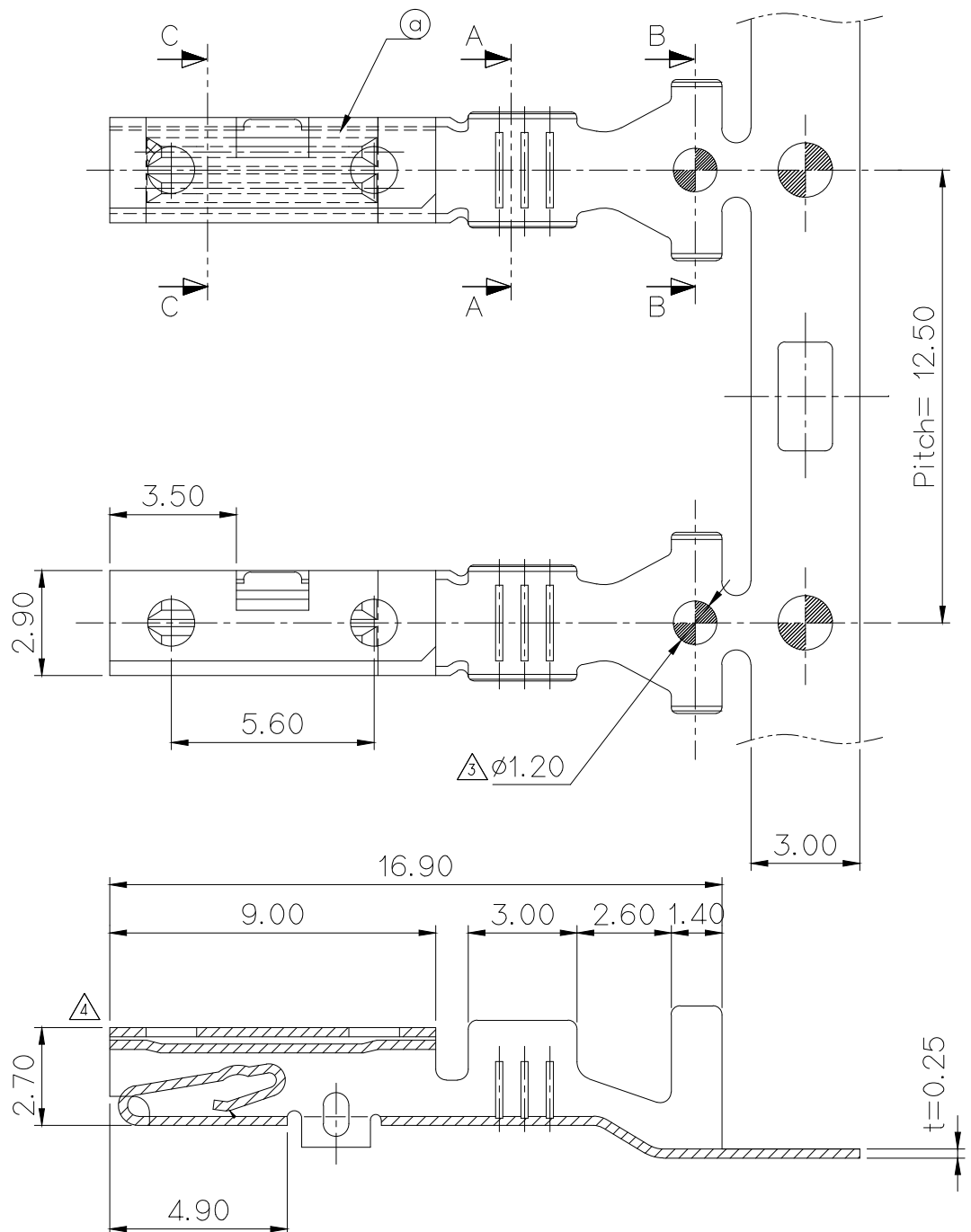


SEE TABLE

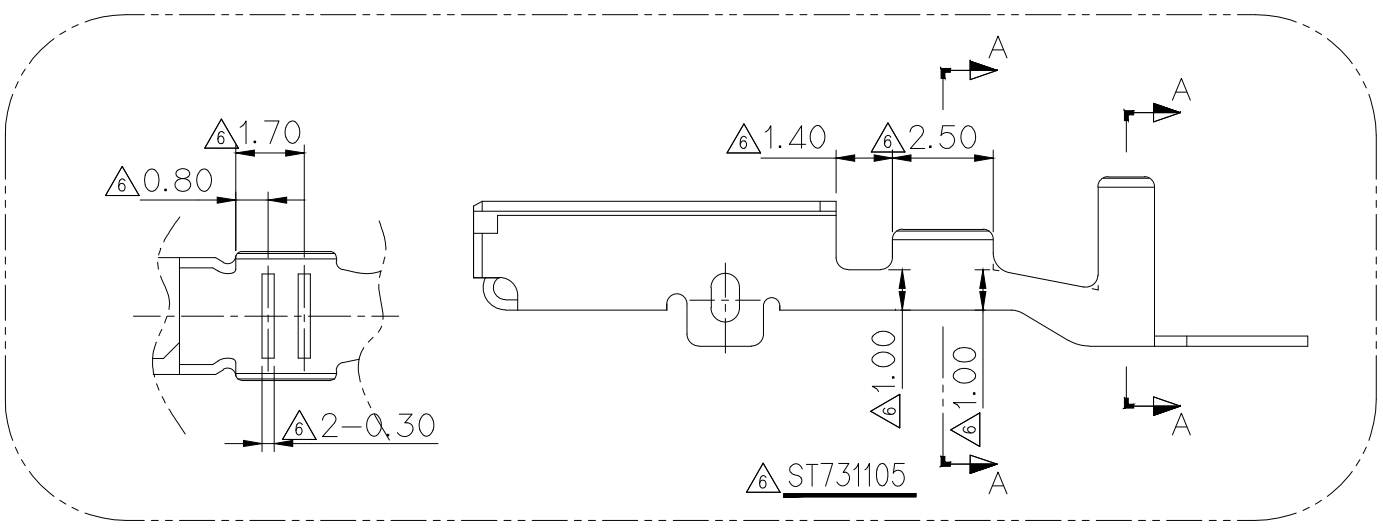
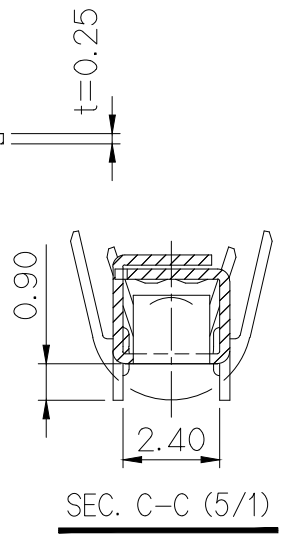
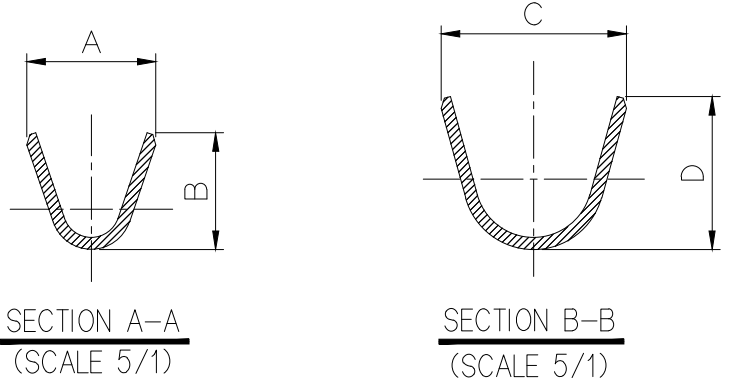
CUSTOMER DRAWING

DIMENSIONS IN (MM)

GENERAL TOLERANCE (TERMINAL)					USED ON
10MAX	20MAX	45MAX	ANGLE	ECCENT	
±0.2	±0.25	±0.3	±30'	0.10	



PART NO.	WIRE BARREL		INSULATION BARREL		WIRE RANGE	WIRE SEAL	
	A	B	C	△D		P/No	INSULATION RANGE
△6 ST731105(L)	1.9	(2.05)	△6.0	4.8	△11 AESSXF/CHFUS 0.22	MG685629	1.00-1.20
△10 ST731419(S)	2.1	2.1	6.0	4.8	△11 CIVUS 0.35	MG685629	1.00-1.20
ST730623(S)	2.4	2.3	6.0	4.8	△11 AVSS/AESSXF/FLR2X-A0.35	MG681114	1.25-1.80
ST730623(S)	2.4	2.3	6.0	4.8	△11 CIVUS/FLR2X-B 0.5	MG681114	1.25-1.80
ST731550(SM)	2.4	2.75	6.0	4.8	△11 AVSS/AESSXF 0.5	MG681114	1.25-1.80
ST731550(SM)	2.4	2.75	6.0	4.8	△11 CIVUS 0.75	MG681114	1.25-1.80
ST730624(M)	3.2	2.9	6.0	4.8	△11 FLR2X-B 0.75	MG681115	1.80-2.30
ST730624(M)	3.2	2.9	6.0	4.8	△11 CIVUS 1.0	MG681114	1.25-1.80
ST730624(M)	3.2	2.9	6.0	4.8	△11 AVSS/AESSXF 0.85-1.25	MG681115	1.80-2.30
ST730625(L)	3.6	3.8	6.0	4.8	△11 AVSSXF 1.0-1.5	MG681115	1.80-2.30
ST730625(L)	3.6	3.8	6.0	4.8	△11 FLR2X-B 1.0-1.5	MG681115	1.80-2.30
ST730625(L)	3.6	3.8	6.0	4.8	△11 AVSS/AESSXF/FLR2X-B 2.0	MG681116	2.60-2.65



주 기

- 적용전선 : SEE TABLE
- 기능상 유해한 BURR 및 변형이 없을 것.
- 제품내 함유된 6대 유해물질 (납, 수은, 카드뮴, 6가크롬, PBBs, PBDEs)은 EU ELV 지침 및 RoHS 법규에서 지정한 최대 허용 농도를 초과해서는 안된다.
- WIRE INSULATION RANGE는 STANDARD 외경치수 기준.
- 신뢰성 내구평가 시 적용전선의 온도등급 기준으로 적용할 것

NOTE

- APPLICABLE WIRE : SEE TABLE
- MUST BE FREE OF BURR AND IMPERFECTION THAT AFFECT FUNCTION.
- 6 HAZARDOUS SUBSTANCES IN PARTS (LEAD, MERCURY, CADMIUM, HEXAVALENT CHROMIUM, PBBs, PBDEs) SHOULD NOT EXCEED THE MAXIMUM PERMISSIBLE CONCENTRATION PRESCRIBED UNDER EU ELV DIRECTIVE & RoHS REGULATION.
- WIRE INSULATION RANGE IS BASED ON STANDARD OUTER DIAMETER.
- WHEN RELIABILITY DURABILITY TEST, IT IS APPLIED BASED ON THE TEMPERATURE CLASS OF THE APPLIED WIRE.

품 번	처 리
ST730623-G ST730624-G ST730625-G △ ST731419-G	△ - Ni 하지도금 두께 : 1.0 ~ 2.0 μm. - 금도금 두께 : 0.38 μm 이상. (◎ 부분 금도금 표시부만 선도금 처리)
ST730623 -3 ST730624 -3 ST730625 -3 △ ST731105 -3 △ ST731419 -3 △ ST731550 -3	- Cu 하지도금 두께 : 0.5 ~ 1.0 μm - 광택 석도금 - 석도금 두께 : 0.8 ~ 1.5 μm
△ ST730623 -S ST730624 -S ST730625 -S △ ST731419 -S	△ - Ni 하지도금 : 1.0 - 2.0 μm - 은도금 두께 : 1.0 μm 이상 (◎ 부분 은도금 표시부만 선도금 처리)

△	ECO-2012-262	HJE	CKY	'20.12.11
△	ECO-2002-076	LJH	HJE	CKY '20.02.06
△	ECO-1705-355	SSW	CMS	LJE '17.05.25
△	ECO-1610-496	KCS	KMH	LSY '17.01.04
△	ECO-1502-286	LKS	CKY	CWK '15.03.03
△	설계사양변경통보서(S090132)	BJG		'09.06.02

△	설계사양변경통보서(S090118)	BJG	LSY	'09.05.14	
△	설계사양변경통보서(S070236)	HKS	KKJ	'07.10.22	
△	압착성 개선 수정	WON		'98.06.11	
△	IN/BARREL 치수변경	WON		'97.09.25	
△	원재료 변경(1곳)	WON		'97.12.27	
LTR	REVISION RECORD	DR.	CHK.	APP.	DATE
	DR. WON. '97.04.02	CHK. W			'97.09.04
		APP. W			'97.09.08

MATERIAL	△ Copper Alloy	KETA KOREA ELECTRIC TERMINAL CO., LTD. ENGINEERED
FINISH	SEE TABLE	
WIRE RANGE	SEE TABLE	CLASS .090 II SEALED
INSULATION	SEE TABLE	TYPE
TOLERANCE EXCEPT AS NOTED	SEE TABLE	SCALE 5/1
PART NAME	090II WP REC. TERMINAL	

APPROVED
2021-10-22
KOREA ELECTRIC TERMINAL CO., LTD.
Korea Electric Terminal Co., LTD.

ISSUE MARK

X-ON Electronics

Largest Supplier of Electrical and Electronic Components

Click to view similar products for [Headers & Wire Housings](#) category:

Click to view products by [KET](#) manufacturer:

Other Similar products are found below :

[0015917161](#) [0022155065](#) [57102-F02-18ULF](#) [58102-G61-06LF](#) [582553-1](#) [01.001.5753.1](#) [0050291907](#) [02.125.8002.8](#) [609-3404](#) [61062-3](#)
[CSU011177004](#) [622-0430](#) [622-3653LF](#) [63453-116](#) [636-1030](#) [636-1427](#) [636-3427](#) [636-4007](#) [641938-9](#) [65495-038](#) [65692-001LF](#) [65781-018](#)
[65781-047](#) [65817-010LF](#) [65817-015LF](#) [67095-007LF](#) [67601157](#) [68631-112](#) [68645-018](#) [699319-000](#) [70.362.1628.0](#) [70-4210](#) [70-4226B](#) [70-](#)
[4853B](#) [71.350.2428.0](#) [733-134](#) [733-162](#) [760-3052](#) [MHR-64-VUAL](#) [80.063.4001.1](#) [800-90-001-10-001000](#) [801-43-002-10-013000](#)
[801-43-006-10-002000](#) [803-43-024-10-001000](#) [803-93-012-10-001000](#) [8-1437020-4](#) [819-22-004-30-001101](#) [820-22-006-30-001101](#)
[820-22-008-30-001101](#) [821-22-002-10-001101](#)