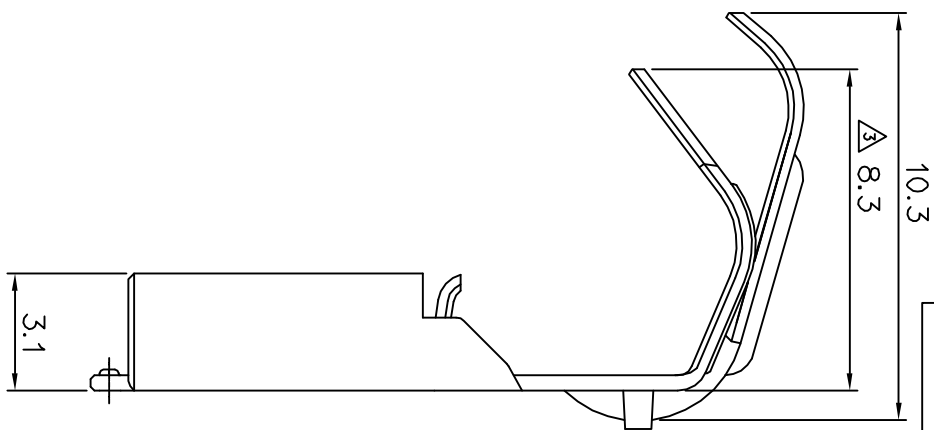


GENERAL TOLERANCE (TERMINAL)				USED ON
10MAX	20MAX	45MAX	ANGLE	ECCENT
±0.2	±0.25	±0.3	±30'	0.1



NO.	PART NO.	FINISH
1	ST730649-3	PRE-TIN
2	ST730649-N	NI 도금

NOTE

- MUST BE FREE OF FLASH, SINK AND IMPERFECTION THAT AFFECT FUNCTION.
- HAZARDOUS SUBSTANCES IN PARTS (Lead, Mercury, Cadmium, Hexavalent Chromium, PBBs, PBDES) SHALL NOT EXCEED THE MAXIMUM PERMISSIBLE CONCENTRATION PRESCRIBED UNDER EU ELV DIRECTIVE & ROHS REGULATION

주 기

- 기능상 유해한 흠, 변형 및 BURR 등이 없을 것
- 제품 내 함유된 6대 유해물질 (납, 수은, 카드뮴, 6가 크롬, PBBs, PBDES)은 EU ELV 지침 및 ROHS 법규에서 지정한 최대 허용농도를 초과해서는 안 된다.
- ST730649-N의 도금두께 측정시 표시부위를 측정한다.

ISSUE MARK

ECO-1512-179의거 도면 제작명	SMG	KSH	BUC	'15.12.09	MATERIAL	BRASS	<p>KEL KOREA ELECTRIC TERMINAL CO., LTD. [ENGINEERED]</p>
설계(8)변경(S110128)의거 도면 제작명	KSU	KSH	BUC	'11.04.27	FINISH	SEE TABLE	
의거 수정				'10.12.02	WIRE RANGE	AWG 22-12	CLASS
설계(8)변경(S100045)의거 수정				'10.03.05	INSULATION		TYPE
설계(8)변경(S090328)의거 수정	KSH			'09.11.13	SCALE	5/1	PART NO.
REVISION RECORD	DR.	CHK.	APP.	DATE	TOLERANCE EXCEPT AS NOTED	SEE TABLE	ST730649
DR. KO 95.07.03	CHK. Sik			95.7.15	PART NAME	250 P-LOCK FLAG CURING TM'L	
CHK.	APP. S. W. Lee						

X-ON Electronics

Largest Supplier of Electrical and Electronic Components

Click to view similar products for [Headers & Wire Housings](#) category:

Click to view products by [KET](#) manufacturer:

Other Similar products are found below :

[0015917161](#) [0022155065](#) [57102-F02-18ULF](#) [58102-G61-06LF](#) [582553-1](#) [01.001.5753.1](#) [0050291907](#) [02.125.8002.8](#) [609-3404](#) [61062-3](#)
[CSU011177004](#) [622-0430](#) [622-3653LF](#) [63453-116](#) [636-1030](#) [636-1427](#) [636-3427](#) [636-4007](#) [641938-9](#) [65495-038](#) [65692-001LF](#) [65781-018](#)
[65781-047](#) [65817-010LF](#) [65817-015LF](#) [67095-007LF](#) [67601157](#) [68631-112](#) [68645-018](#) [699319-000](#) [70.362.1628.0](#) [70-4210](#) [70-4226B](#) [70-](#)
[4853B](#) [71.350.2428.0](#) [733-134](#) [733-162](#) [760-3052](#) [MHR-64-VUAL](#) [80.063.4001.1](#) [800-90-001-10-001000](#) [801-43-002-10-013000](#)
[801-43-006-10-002000](#) [803-43-024-10-001000](#) [803-93-012-10-001000](#) [8-1437020-4](#) [819-22-004-30-001101](#) [820-22-006-30-001101](#)
[820-22-008-30-001101](#) [821-22-002-10-001101](#)