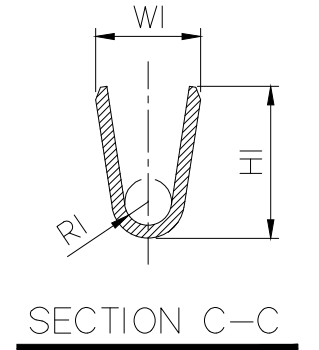
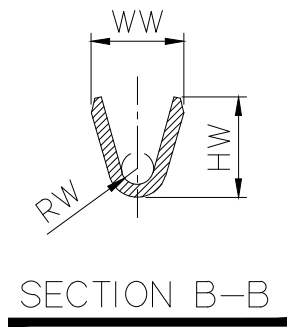
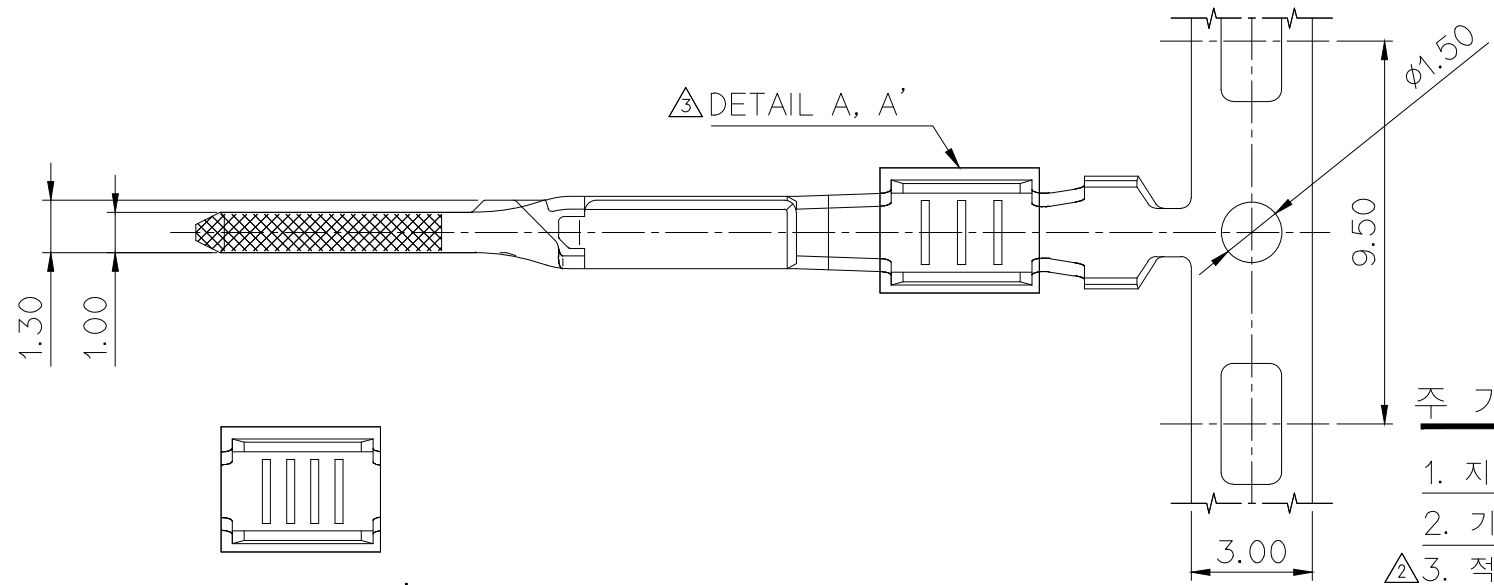
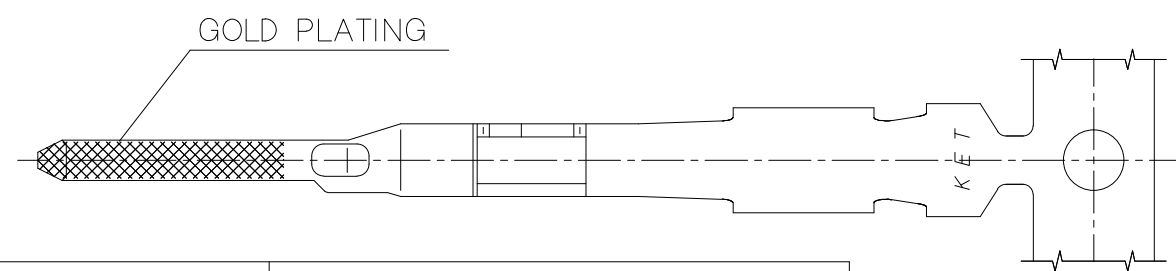
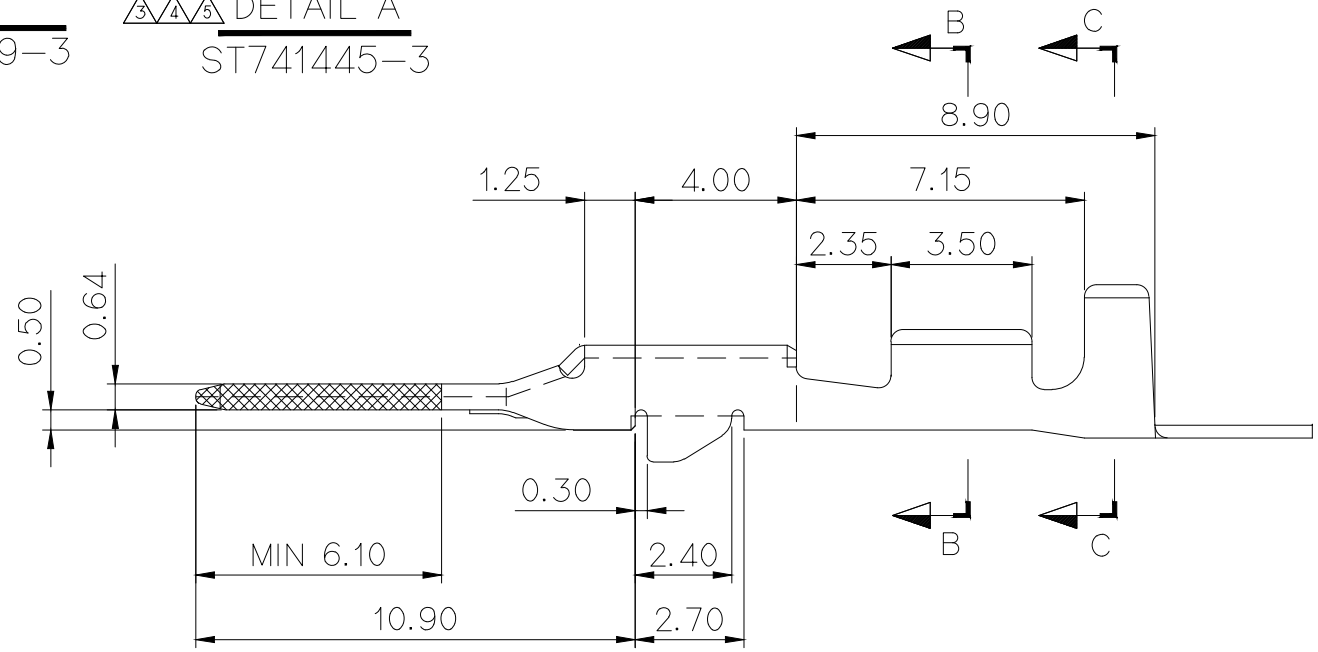
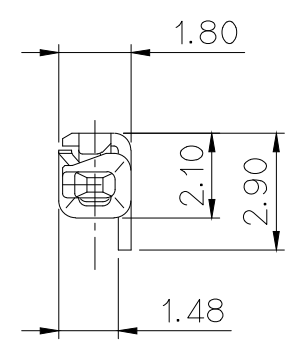
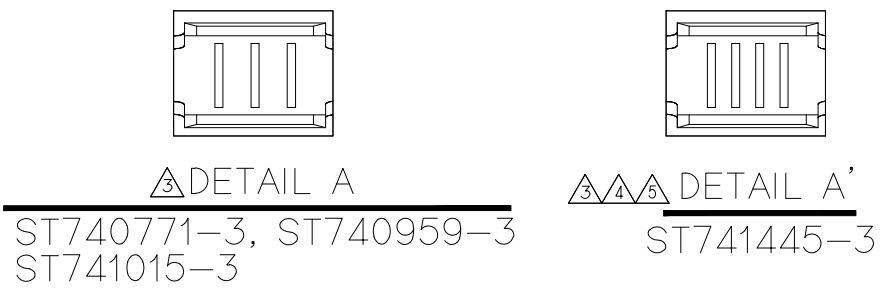


GENERAL TOLERANCE (TERMINAL)						USED ON
10 MAX	20 MAX	45 MAX	45 VR	ANGLE	ECCENT	
±0.2	±0.25	±0.3	±0.5	±30'	0.1	



- 주 기
1. 지시없는 C,R=0.30으로 한다.
  2. 기능상 유해한 흠,변형 및 BURR가 없을것.
  3. 적용 상대 FEMALE TERMINAL : ST730770/ST730960/ST731007
  4. 제품내 함유된 6대 유해물질 (납,수은,카드뮴,6가크롬, PBBs,PBDEs)은 EU ELV 지침 및 RoHS 법규에서 지정한 최대 허용 농도를 초과해서는 안된다.

- NOTE
1. UNLESS OTHERWISE SPECIFIED ALL RADII TO BE 0.3 RADIUS.
  2. MUST BE FREE OF FLASH, SINK AND IMPERFECTION THAT AFFECT FUNCTION.
  3. APPLICABLE FEMALE TERMINAL : ST730770/ST730960/ST731007
  4. 6 HAZARDOUS SUBSTANCES IN PARTS (LEAD,MERCURY, CADMIUM,HEXAVALENT CHROMIUM,PBBs,PBDEs) SHOULD NOT EXCEED THE MAXIMUM PERMISSIBLE CONCENTRATION PRESCRIBED UNDER EU ELV DIRECTIVE & RoHS REGULATION.



NO.	TIN PLATING	GOLD PLATING	WIRE SIZE	DIMENSION					
				WW	HW	RW	WI	HI	RI
1	ST740771-3	ST740771-G	AVSS(CAVS) 0.3-0.5	2.3	(2.49)	0.4	2.6	(3.77)	0.58
2	ST740959-3	ST740959-G	AVSS(CAVS) 0.85	2.6	(2.60)	0.53	2.6	(3.77)	0.58
3	ST741015-3	-	AVSS 0.22	2.2	(2.35)	0.33	2.6	(3.77)	0.58
4	ST741445-3	-	CHFUS 0.13-0.22	1.9	(2.05)	0.33	2.1	(2.30)	0.58

ECO-2007-186 큰거 도면 제작성 세경화 전선용 Barrel Serration 원복	YTK	HJE	CKY	20.07.14	MATERIAL	BRASS 0.32t		KOREA ELECTRIC TERMINAL CO., LTD.
ECO-2006-353 큰거 도면 제작성 세경화 전선용 Barrel Serration 수정	SSW	HJE	CKY	20.06.29	FINISH	SEE TABLE		
ECO-2001-320 큰거 도면 제작성 세경화 전선 전용 Barrel Modify 개발	SSW	HJE	CKY	20.01.20	WIRE RANGE		CLASS	040III
설계사양변경(060098)큰거 제작성 (사양추가)	YSW	HSH	KKJ	06.03.28	INSULATION		TYPE	7114-4231
시방변경 050104 큰거에 의거 (ST740959 BARREL 변경)	KYM	KKJ	KCH	05.05.07	TOLERANCE EXCEPT AS NOTED	SEE TABLE	SCALE	5/1
LTR	REVISION RECORD			DR.	CHK.	APP.	DATE	PART NO.
	DR. KYM '04.06.05	CHK.			PART NAME			
	CHK. KKJ '04.06.06	APP. KCH			040III MALE TERMINAL (YZK)			

**APPROVED**  
2020-12-24  
KOREA ELECTRIC  
TERMINAL CO., LTD.  
Korea Electric Te  
rminal Co., LTD.

ISSUE MARK

## X-ON Electronics

Largest Supplier of Electrical and Electronic Components

*Click to view similar products for [Headers & Wire Housings](#) category:*

*Click to view products by [KET](#) manufacturer:*

Other Similar products are found below :

[0015917161](#) [0022155065](#) [57102-F02-18ULF](#) [58102-G61-06LF](#) [582553-1](#) [01.001.5753.1](#) [0050291907](#) [02.125.8002.8](#) [609-3404](#) [61062-3](#)  
[CSU011177004](#) [622-0430](#) [622-3653LF](#) [63453-116](#) [636-1030](#) [636-1427](#) [636-3427](#) [636-4007](#) [641938-9](#) [65495-038](#) [65692-001LF](#) [65781-018](#)  
[65781-047](#) [65817-010LF](#) [65817-015LF](#) [67095-007LF](#) [67601157](#) [68631-112](#) [68645-018](#) [699319-000](#) [70.362.1628.0](#) [70-4210](#) [70-4226B](#) [70-](#)  
[4853B](#) [71.350.2428.0](#) [733-134](#) [733-162](#) [760-3052](#) [MHR-64-VUAL](#) [80.063.4001.1](#) [800-90-001-10-001000](#) [801-43-002-10-013000](#)  
[801-43-006-10-002000](#) [803-43-024-10-001000](#) [803-93-012-10-001000](#) [8-1437020-4](#) [819-22-004-30-001101](#) [820-22-006-30-001101](#)  
[820-22-008-30-001101](#) [821-22-002-10-001101](#)