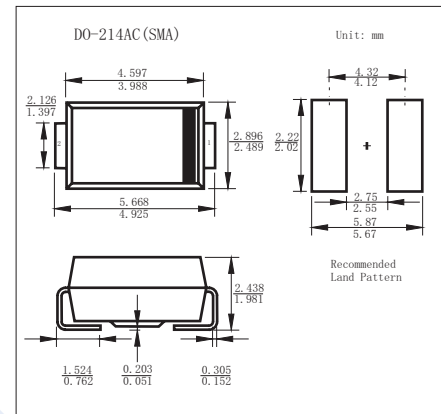


Schottky Diodes

1N5817 ~ 1N5819

■ Features

- Low profile package
- Ideal for automated placement
- Guardring for overvoltage protection
- Low power losses, high efficiency
- Low forward voltage drop
- High surge capability



■ Absolute Maximum Ratings $T_a = 25^\circ\text{C}$

Parameter	Symbol	1N5817	1N5818	1N5819	Unit
Peak Repetitive Peak Reverse Voltage	V_{RRM}	20	30	40	V
RMS Reverse Voltage	$V_{R(RMS)}$	14	21	28	
DC Blocking Voltage	V_R	20	30	40	
Average Rectified Current	I_{FAV}	1			A
Peak Forward Surge Current @=8.3ms	I_{FSM}	40			
Thermal Resistance Junction to Ambient (Note.1)	$R_{\theta JA}$	88			$^\circ\text{C}/\text{W}$
Thermal Resistance Junction to Lead (Note.1)	$R_{\theta JL}$	28			
Voltage Rate of Change (rated V_R)	dv/dt	10000			V/us
Junction Temperature	T_J	-60 to 125			$^\circ\text{C}$
Storage Temperature range	T_{stg}	-65 to 150			

Note.1: P.C.B. mounted with 0.2 x 0.2" (5.0 x 5.0 mm) copper pad areas

■ Electrical Characteristics $T_a = 25^\circ\text{C}$

Parameter	Symbol	Test Conditions	Min	Typ	Max	Unit
Forward voltage (Note.1)	V_F	$I_F = 1\text{ A}$			0.5	V
Reverse voltage leakage current(Note.1)	I_R	$T_a = 25^\circ\text{C}$			0.2	mA
		$T_a = 100^\circ\text{C}$			6	

Note.1: Pulse test: 300 μs pulse width, 1 % duty cycle

■ Marking

NO.	1N5817	1N5818	1N5819
Marking	SS12	SS13	SS14

Schottky Diodes

1N5817 ~ 1N5819

Typical Characteristics

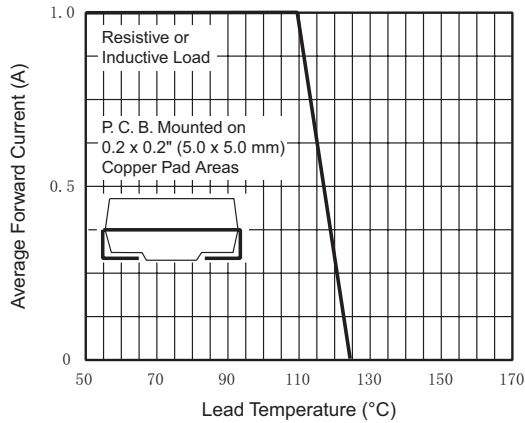


Figure 1. Forward Current Derating Curve

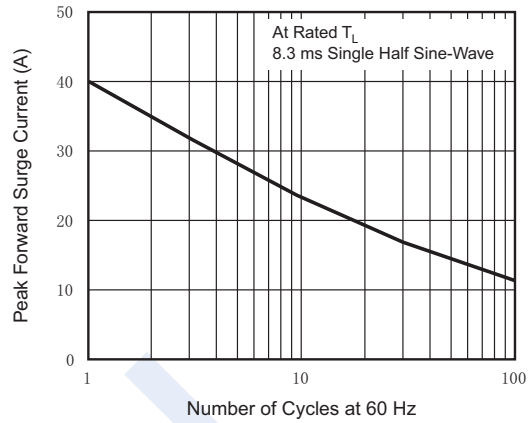


Figure 2. Maximum Non-Repetitive Peak Forward Surge Current

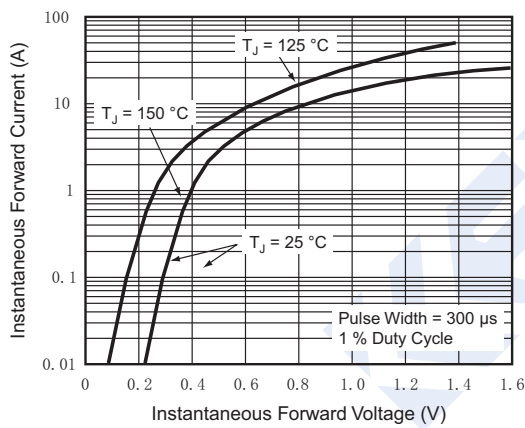


Figure 3. Typical Instantaneous Forward Characteristics

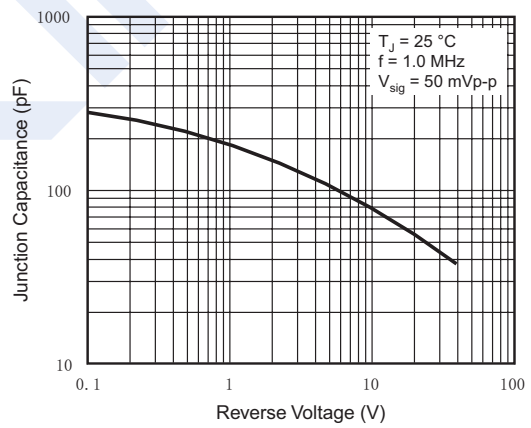


Figure 5. Typical Junction Capacitance

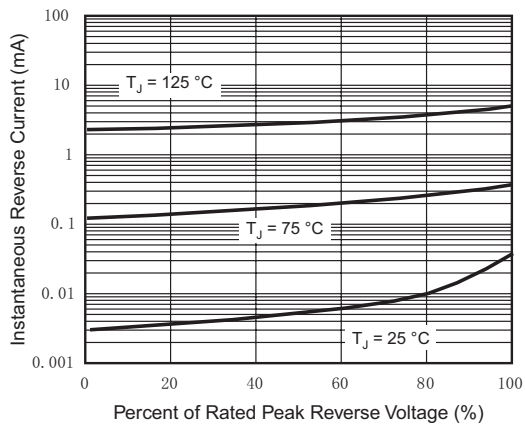


Figure 4. Typical Reverse Characteristics

X-ON Electronics

Largest Supplier of Electrical and Electronic Components

Click to view similar products for [Schottky Diodes & Rectifiers](#) category:

Click to view products by [KEXIN](#) manufacturer:

Other Similar products are found below :

[CUS06\(Te85L,Q,M\)](#) [MA4E2039](#) [D1FH3-5063](#) [MBR0530L-TP](#) [MBR10100CT-BP](#) [MBR30H100MFST1G](#) [MMBD301M3T5G](#) [PMAD1103-LF](#) [PMAD1108-LF](#) [RB160M-50TR](#) [RB520S-30](#) [RB551V-30](#) [DD350N18K](#) [DZ435N40K](#) [DZ600N16K](#) [BAS16E6433HTMA1](#) [BAS 3010S-02LRH E6327](#) [BAT 54-02LRH E6327](#) [IDL02G65C5XUMA1](#) [NSR05F40QNXT5G](#) [NSVR05F40NXT5G](#) [JANS1N6640](#) [SB07-03C-TB-H](#) [SB1003M3-TL-W](#) [SBAT54CWT1G](#) [SBM30-03-TR-E](#) [SBS818-TL-E](#) [SK32A-LTP](#) [SK33A-TP](#) [SK34A-TP](#) [SK34B-TP](#) [SMD1200PL-TP](#) [ACDBN160-HF](#) [SS3003CH-TL-E](#) [STPS30S45CW](#) [PDS3100Q-7](#) [GA01SHT18](#) [CRS10I30A\(Te85L,QM\)](#) [MBR1240MFST1G](#) [MBRB30H30CT-1G](#) [BAS28E6433HTMA1](#) [BAS 70-02L E6327](#) [HSB123JTR-E](#) [JANTX1N5712-1](#) [VS-STPS40L45CW-N3](#) [DD350N12K](#) [SB007-03C-TB-E](#) [SB10015M-TL-E](#) [SB1003M3-TL-E](#) [SK110-LTP](#)