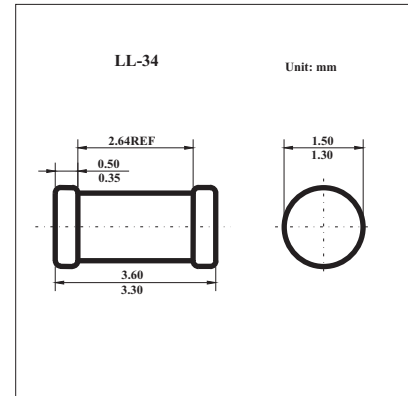


Surface Mount Switching Diode

BAV103

■ Features

- Fast Switching Speed
- Surface Mount Package Ideally Suited for Automatic Insertion
- For General Purpose Switching Applications
- High Conductance



■ Absolute Maximum Ratings Ta = 25°C

Parameter	Symbol	Rating	Unit
Repetitive Peak Reverse Voltage	VRRM	250	V
Working Peak Reverse Voltage	VRWM	200	V
DC Blocking Voltage	VR	200	V
RMS Reverse Voltage	VR(RMS)	141	V
Average Rectified Output Current *1	Io	125	mA
Forward Continuous Current *1	IFM	250	mA
Non-Repetitive Peak Forward Surge Current @ t < 1.0s	IFSM	1	A
Power Dissipation	PD	500	mW
Thermal Resistance Junction to Ambient Air *1	RθJA	300	K/W
Operating and Storage Temperature Range	Tj , TSTG	-65 to +175	°C

*1. Valid provided that electrodes are kept at ambient temperature.

■ Electrical Characteristics Ta = 25°C

Parameter	Symbol	Testconditions	Min	Typ	Max	Unit
Maximum Forward Voltage	VFM	IF = 100mA			1	V
Maximum Peak Reverse Current @ Rated DC Blocking Voltage	IRM	TA = 25°C TA = 100°C			100 15	nA μA
Junction Capacitance	Cj	VR = 0, f = 1.0MHz			1.5	pF
Reverse Recovery Time	trr	IF = IR = 30mA, Itr = 0.1 x IR, RL = 100 Ω			50	ns

■ Ordering Information

Device	Packaging	Shipping
BAV103	LL34	2500/Tape & Reel

BAV103

■ Typical Characteristics

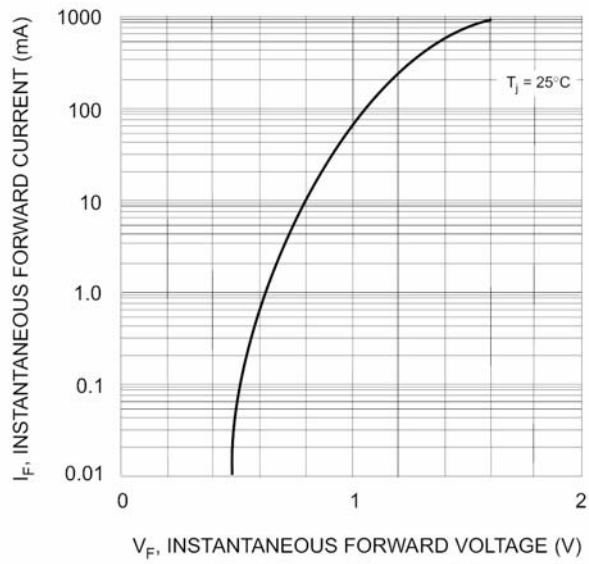


Fig. 1 Forward Characteristics

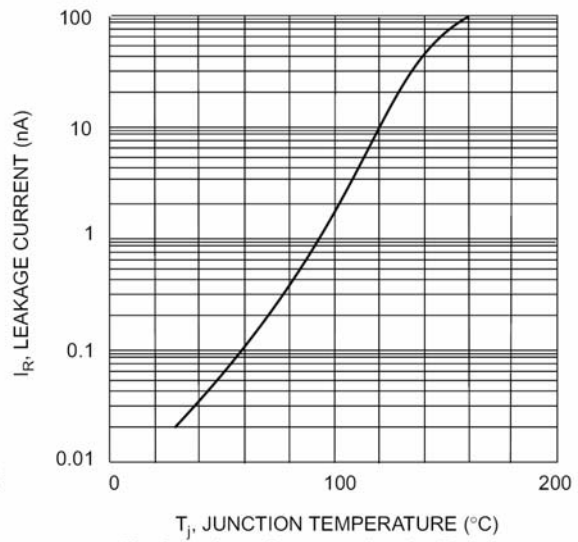


Fig. 2 Leakage Current vs Junction Temperature

X-ON Electronics

Largest Supplier of Electrical and Electronic Components

Click to view similar products for [Diodes - General Purpose, Power, Switching category](#):

Click to view products by [KEXIN manufacturer](#):

Other Similar products are found below :

[MCL4151-TR3](#) [MMBD3004S-13-F](#) [RD0306T-H](#) [RD0506LS-SB-1H](#) [RGP30G-E373](#) [DSE010-TR-E](#) [BAQ333-TR](#) [BAQ335-TR](#) [BAQ33-GS18](#) [BAS1602VH6327XT](#) [BAV17-TR](#) [BAV19-TR](#) [BAV301-TR](#) [BAW27-TAP](#) [HSC285TRF-E](#) [NSVBAV23CLT1G](#) [NTE525](#) [1SS181-TP](#) [1SS184-TP](#) [1SS193,LF](#) [1SS193-TP](#) [1SS400CST2RA](#) [SBAV99LT3G](#) [SDAA13](#) [LL4448-GS18](#) [SHN2D02FUTW1T1G](#) [LS4150GS18](#) [LS4151GS08](#) [SMMD7000LT3G](#) [FC903-TR-E](#) [1N4449](#) [1N4934-E3/73](#) [1SS226-TP](#) [APT100DL60HJ](#) [RFUH20TB3S](#) [RGP30G-E354](#) [RGP30M-E3/73](#) [D291S45T](#) [MCL4151-TR](#) [BAS 16-02V H6327](#) [BAS 21U E6327](#) [BAS 28 E6327](#) [BAS33-TAP](#) [BAS 70-02V H6327](#) [BAV300-TR](#) [BAV303-TR3](#) [BAW27-TR](#) [BAW56DWQ-7-F](#) [BAW56M3T5G](#) [BAW75-TAP](#)