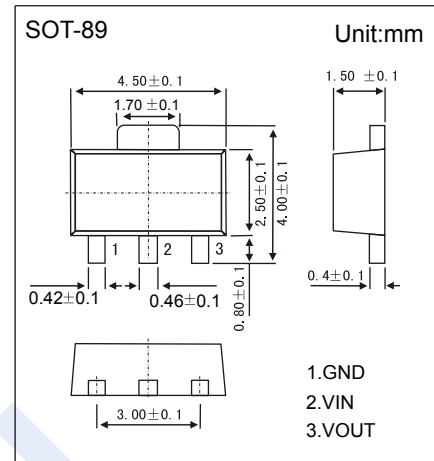
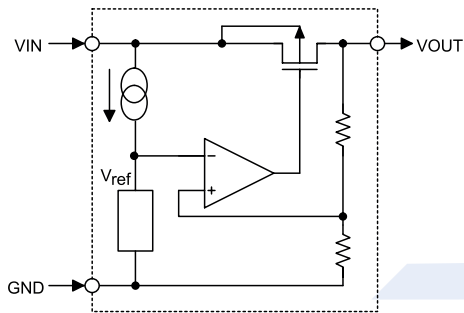


High Driver Regulator HT75XX

■ Features

- Low power consumption
- Low voltage drop
- Low temperature coefficient
- High input voltage (up to 24V)
- High output current : 100mA



■ Selection Table

Part No.	Output Voltage	Tolerance
HT7530	3V	±5%
HT7533	3.3V	±5%
HT7536	3.6V	±5%
HT7544	4.4V	±5%
HT7550	5V	±5%
HT7580	8V	±5%

■ Absolute Maximum Ratings Ta = 25°C

Parameter	Symbol	Rating	Unit
Supply Voltage	V _{SS}	-0.3 to 26	V
Power Consumption	P _C	250	mW
Junction Temperature	T _J	125	°C
Operating Temperature	T _{opr}	0 to 70	
Storage Temperature range	T _{stg}	-50 to 125	

■ Marking

NO.	HT7530	HT7533	HT7536	HT7544	HT7550	HT7580
Marking	D7530 *****	D7533 *****	D7536 *****	D7544 *****	D7550 *****	D7580 *****

High Driver Regulator

HT75XX

■ Electrical Characteristics Ta = 25°C

HT7530, +3.0V output type

Parameter	Symbol	Test Conditions		Min	Typ	Max	Unit
		V _{IN}	Conditions				
Output Voltage Tolerance	V _{OUT}	5V	I _{OUT} = 10mA	2.85	3	3.15	V
Output Current	I _{OUT}	5V		60	100		mA
Load Regulation	ΔV _{OUT}	5V	1mA ≤ I _{OUT} ≤ 50mA		60	150	mV
Voltage Drop	V _{DIF}		I _{OUT} = 1mA		100		mV
Current Consumption	I _{SS}	5V	No load		10	20	μA
Line Regulation	$\frac{\Delta V_{OUT}}{\Delta V_{IN} \times \Delta V_{OUT}}$		4V ≤ V _{IN} ≤ 12V I _{OUT} =1mA		0.2		%/V
Input Voltage	V _{IN}					24	V
Temperature Coefficient	$\frac{\Delta V_{OUT}}{\Delta T_a}$	5V	I _{OUT} =10mA 0 °C < T _a < 70 °C		±0.45		mV/°C

HT7533, +3.3V output type

Parameter	Symbol	Test Conditions		Min	Typ	Max	Unit
		V _{IN}	Conditions				
Output Voltage Tolerance	V _{OUT}	5.5V	I _{OUT} = 10mA	3.14	3.3	3.47	V
Output Current	I _{OUT}	5.5V		60	100		mA
Load Regulation	ΔV _{OUT}	5.5V	1mA ≤ I _{OUT} ≤ 50mA		60	150	mV
Voltage Drop	V _{DIF}		I _{OUT} = 1mA		100		mV
Current Consumption	I _{SS}	5.5V	No load		10	20	μA
Line Regulation	$\frac{\Delta V_{OUT}}{\Delta V_{IN} \times \Delta V_{OUT}}$		4.5V ≤ V _{IN} ≤ 12V I _{OUT} =1mA		0.2		%/V
Input Voltage	V _{IN}					24	V
Temperature Coefficient	$\frac{\Delta V_{OUT}}{\Delta T_a}$	5.5V	I _{OUT} =10mA 0 °C < T _a < 70 °C		±0.5		mV/°C

HT7536, +3.6V output type

Parameter	Symbol	Test Conditions		Min	Typ	Max	Unit
		V _{IN}	Conditions				
Output Voltage Tolerance	V _{OUT}	5.6V	I _{OUT} = 10mA	3.42	3.6	3.78	V
Output Current	I _{OUT}	5.6V		60	100		mA
Load Regulation	ΔV _{OUT}	5.6V	1mA ≤ I _{OUT} ≤ 50mA		60	150	mV
Voltage Drop	V _{DIF}		I _{OUT} = 1mA		100		mV
Current Consumption	I _{SS}	5.6V	No load		10	20	μA
Line Regulation	$\frac{\Delta V_{OUT}}{\Delta V_{IN} \times \Delta V_{OUT}}$		4.6V ≤ V _{IN} ≤ 12V I _{OUT} =1mA		0.2		%/V
Input Voltage	V _{IN}					24	V
Temperature Coefficient	$\frac{\Delta V_{OUT}}{\Delta T_a}$	5.6V	I _{OUT} =10mA 0 °C < T _a < 70 °C		±0.6		mV/°C

High Driver Regulator

HT75XX

■ Electrical Characteristics Ta = 25°C

HT7544, +4.4V output type

Parameter	Symbol	Test Conditions		Min	Typ	Max	Unit
		V _{IN}	Conditions				
Output Voltage Tolerance	V _{OUT}	6.4V	I _{OUT} = 10mA	4.18	4.4	4.62	V
Output Current	I _{OUT}	6.4V		60	100		mA
Load Regulation	ΔV _{OUT}	6.4V	1mA ≤ I _{OUT} ≤ 50mA		60	150	mV
Voltage Drop	V _{DIF}		I _{OUT} = 1mA		100		mV
Current Consumption	I _{SS}	6.4V	No load		10	20	μA
Line Regulation	$\frac{\Delta V_{OUT}}{\Delta V_{IN} \times \Delta V_{OUT}}$		5.4V ≤ V _{IN} ≤ 12V I _{OUT} =1mA		0.2		%/V
Input Voltage	V _{IN}					24	V
Temperature Coefficient	$\frac{\Delta V_{OUT}}{\Delta T_a}$	6.4V	I _{OUT} =10mA 0 °C < T _a < 70 °C		±0.7		mV/°C

HT7550, +5.0V output type

Parameter	Symbol	Test Conditions		Min	Typ	Max	Unit
		V _{IN}	Conditions				
Output Voltage Tolerance	V _{OUT}	7V	I _{OUT} = 10mA	4.75	5	5.25	V
Output Current	I _{OUT}	7V		100	150		mA
Load Regulation	ΔV _{OUT}	7V	1mA ≤ I _{OUT} ≤ 70mA		60	150	mV
Voltage Drop	V _{DIF}		I _{OUT} = 1mA		100		mV
Current Consumption	I _{SS}	7V	No load		10	20	μA
Line Regulation	$\frac{\Delta V_{OUT}}{\Delta V_{IN} \times \Delta V_{OUT}}$		6V ≤ V _{IN} ≤ 15V I _{OUT} =1mA		0.2		%/V
Input Voltage	V _{IN}					24	V
Temperature Coefficient	$\frac{\Delta V_{OUT}}{\Delta T_a}$	7V	I _{OUT} =10mA 0 °C < T _a < 70 °C		±0.75		mV/°C

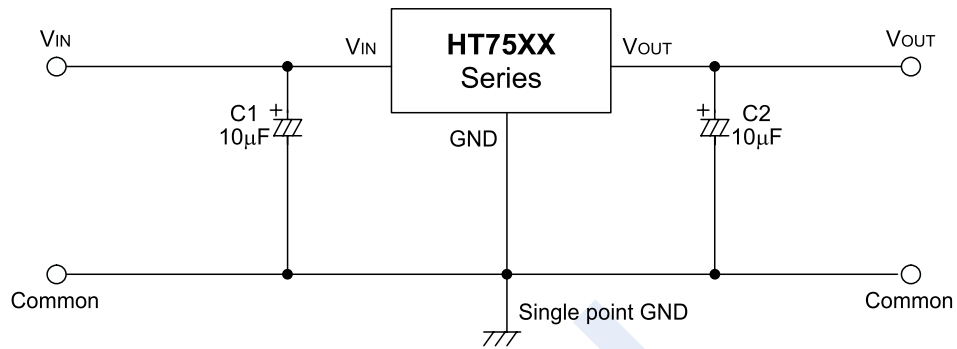
HT7580, +8.0V output type

Parameter	Symbol	Test Conditions		Min	Typ	Max	Unit
		V _{IN}	Conditions				
Output Voltage Tolerance	V _{OUT}	10V	I _{OUT} = 10mA	7.61	8	8.4	V
Output Current	I _{OUT}	10V		100	150		mA
Load Regulation	ΔV _{OUT}	10V	1mA ≤ I _{OUT} ≤ 70mA		60	150	mV
Voltage Drop	V _{DIF}		I _{OUT} = 1mA		100		mV
Current Consumption	I _{SS}	10V	No load		10	20	μA
Line Regulation	$\frac{\Delta V_{OUT}}{\Delta V_{IN} \times \Delta V_{OUT}}$		9V ≤ V _{IN} ≤ 20V I _{OUT} =1mA		0.2		%/V
Input Voltage	V _{IN}					24	V
Temperature Coefficient	$\frac{\Delta V_{OUT}}{\Delta T_a}$	10V	I _{OUT} =10mA 0 °C < T _a < 70 °C		±1.2		mV/°C

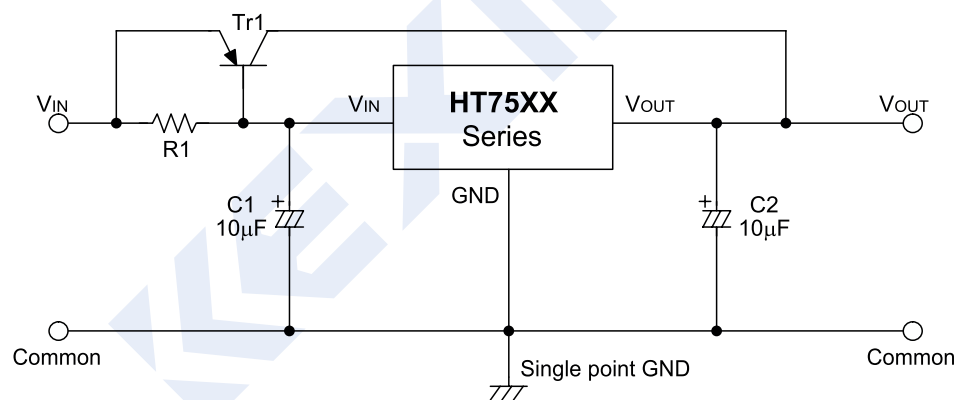
High Driver Regulator HT75XX

■ Typical Characteristics

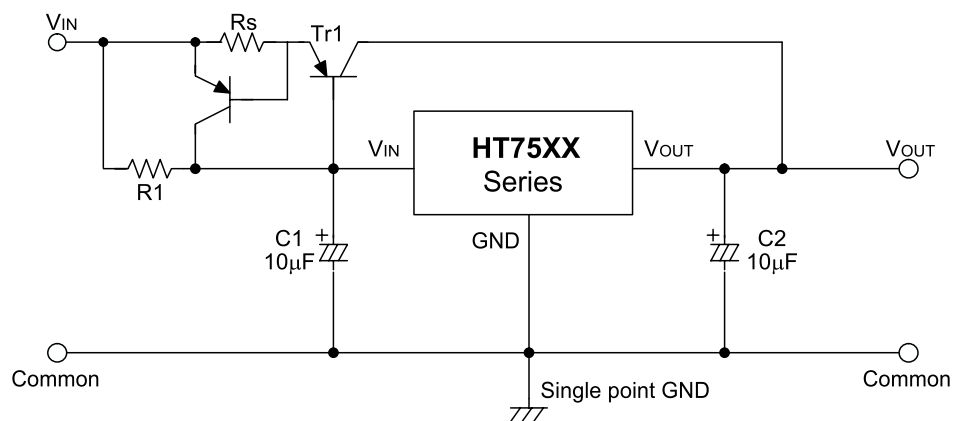
Basic circuit



High output current positive voltage regulator

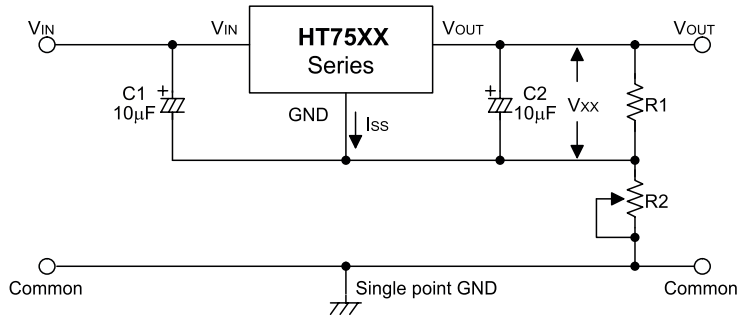


Short-Circuit protection for Tr1



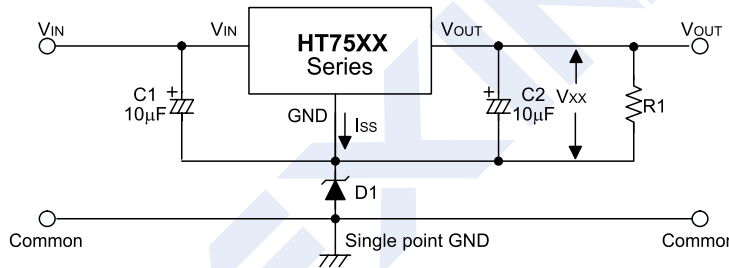
High Driver Regulator HT75XX

■ Typical Characteristics



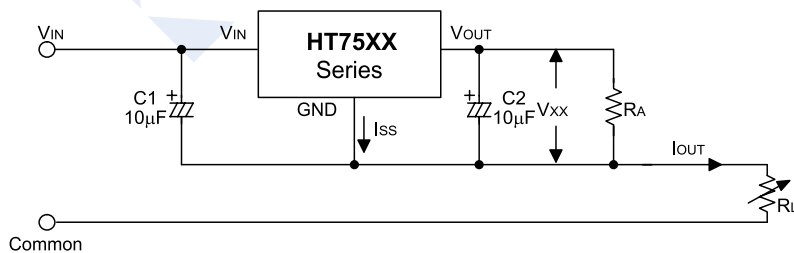
$$V_{OUT} = V_{XX} \left(1 + \frac{R2}{R1} \right) + I_{SS} R2$$

Circuit for increasing output voltage



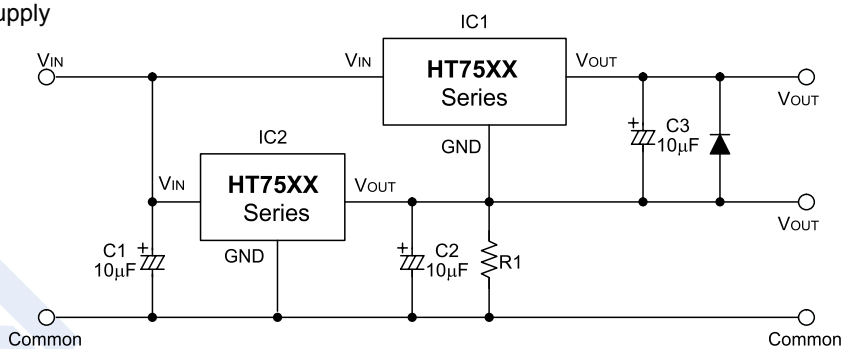
$$V_{OUT} = V_{XX} + V_{D1}$$

Constant current regulator



$$I_{OUT} = \frac{V_{XX}}{R_A} + I_{SS}$$

Dual supply



X-ON Electronics

Largest Supplier of Electrical and Electronic Components

Click to view similar products for [LDO Voltage Regulators](#) category:

Click to view products by [KEXIN](#) manufacturer:

Other Similar products are found below :

[M38D29FFHP#U1](#) [702103A](#) [717726C](#) [742457H](#) [MP20051DN-LF-Z](#) [R5F111PGGFB#30](#) [AP7363-SP-13](#) [NCP103AMX285TCG](#)
[NCV8664CST33T3G](#) [NCV8752AMX28TCG](#) [L9454](#) [AP7362-HA-7](#) [LX13043CLD](#) [TCR3DF185,LM\(CT](#) [TCR3DF24,LM\(CT](#)
[TCR3DF285,LM\(CT](#) [TCR3DF31,LM\(CT](#) [TCR3DF45,LM\(CT](#) [TLF4949EJ](#) [L9708](#) [L970813TR](#) [030014BB](#) [059985X](#) [EAN61387601](#)
[EAN61573601](#) [NCP121AMX173TCG](#) [NCP4687DH15T1G](#) [NCV8703MX30TCG](#) [701326R](#) [702087BB](#) [755078E](#) [TCR2EN28,LF\(S](#)
[LM1117DT-1.8/NO](#) [LT1086CM#TRPBF](#) [AZ1085S2-1.5TRE1](#) [MAX15101EWL+T](#) [NCV8170AXV250T2G](#) [SCD337BTG](#)
[TCR3DF27,LM\(CT](#) [TCR3DF19,LM\(CT](#) [TCR3DF125,LM\(CT](#) [TCR2EN18,LF\(S](#) [MAX15103EWL+T](#) [TS2937CZ-5.0 C0](#) [MAX8878EUK30-](#)
[T](#) [MAX663CPA](#) [NCV4269CPD50R2G](#) [NCV8716MT30TBG](#) [AZ1117IH-1.2TRG1](#) [MP2013GQ-P](#)