

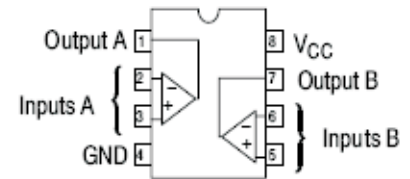
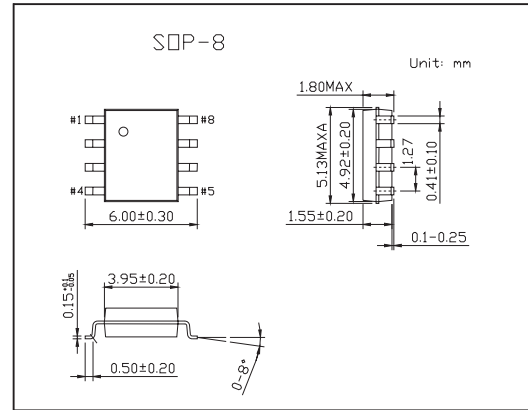
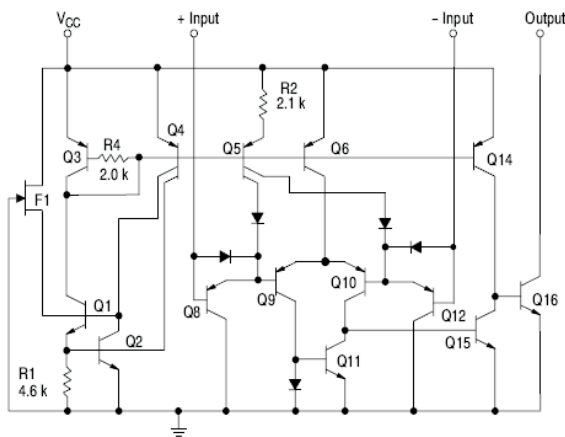
Low Power Low Offset Voltage Dual Comparators

LM393

■ Features

- Wide Single-Supply Range: 2.0 V to 36 V
- Split-Supply Range: ± 1.0 V to ± 18 V
- Very Low Current Drain Independent of Supply Voltage: 0.4 mA
- Low Input Bias Current: 25 nA
- Low Input Offset Current: 5.0 nA
- Low Input Offset Voltage: 5.0 mV (max)
- Input Common Mode Range to Ground Level
- Differential Input Voltage Range Equal to Power Supply Voltage

■ Representative Schematic Diagram



■ Absolute Maximum Ratings $T_a = 25^\circ\text{C}$

Parameter	Symbol	Rating	Unit
Power Supply Voltage	V_{CC}	+36 or ± 18	V
Input Differential Voltage Range	V_{IDR}	36	V
Input Common Mode Voltage Range	V_{ICR}	-0.3 to +36	V
Output Short Circuit-to-Ground	I_{SC}	Continuous	mA
Output Sink Current*	I_{Sink}	20	
Power Dissipation @ $T_A = 25^\circ\text{C}$	P_D	570	mW
Derate above 25°C	$1/R_{\theta JA}$	5.7	mW/ $^\circ\text{C}$
Operating Ambient Temperature Range	T_A	0 to 70	$^\circ\text{C}$
Maximum Operating Junction Temperature	$T_{J(max)}$	150	$^\circ\text{C}$
Storage Temperature Range	T_{stg}	-65 to +150	$^\circ\text{C}$
ESD Protection at any Pin	V_{esd}	2000	V
- Human Body Model			
- Machine Model			

* The maximum output current may be as high as 20 mA, independent of the magnitude of V_{CC} , output short circuits to V_{CC} can cause excessive heating and eventual destruction.

LM393

■ Electrical Characteristics ($V_{CC} = 5.0\text{ V}$, $0^\circ\text{C} \leq T_A \leq 70^\circ\text{C}$, unless otherwise noted.)

Parameter	Symbol	Testconditions	Min	Typ	Max	Unit
Input Offset Voltage*1	V_{IO}	$T_A = 25^\circ\text{C}$ $0^\circ\text{C} \leq T_A \leq 70^\circ\text{C}$		± 1.0	± 5.0 9.0	mV
Input Offset Current	I_{IO}	$T_A = 25^\circ\text{C}$ $0^\circ\text{C} \leq T_A \leq 70^\circ\text{C}$		± 5.0	± 50 ± 150	nA
Input Bias Current *2	I_{IB}	$T_A = 25^\circ\text{C}$ $0^\circ\text{C} \leq T_A \leq 70^\circ\text{C}$		25	250 400	nA
Input Common Mode Voltage Range *2	V_{ICR}	$T_A = 25^\circ\text{C}$ $0^\circ\text{C} \leq T_A \leq 70^\circ\text{C}$	0 0		$V_{CC} - 1.5$ $V_{CC} - 2.0$	V
Voltage Gain	A_{VOL}	$R_L \geq 15\text{ k}\Omega$, $V_{CC} = 15\text{ V}$, $T_A = 25^\circ\text{C}$	50	200		V/mV
Large Signal Response Time		$V_{in} = \text{TTL Logic Swing}$, $V_{ref} = 1.4\text{ V}$, $V_{RL} = 5.0\text{ V}$, $R_L = 5.1\text{ k}\Omega$, $T_A = 25^\circ\text{C}$		300		ns
Response Time *4	t_{TLH}	$V_{RL} = 5.0\text{ V}$, $R_L = 5.1\text{ k}\Omega$, $T_A = 25^\circ\text{C}$		1.3		μs
Input Differential Voltage *5	V_{ID}	All $V_{in} \geq GND$ or V-Supply (if used)			V_{CC}	V
Output Sink Current	I_{SINK}	$V_{in} \geq 1.0\text{ V}$, $V_{in+} = 0\text{ V}$, $V_O \leq 1.5\text{ V}$, $T_A = 25^\circ\text{C}$	6.0	16		mA
Output Saturation Voltage	V_{OL}	$V_{in} \geq 1.0\text{ V}$, $V_{in+} = 0$, $I_{SINK} \leq 4.0\text{ mA}$, $T_A = 25^\circ\text{C}$ $0^\circ\text{C} \leq T_A \leq 70^\circ\text{C}$		150	400 700	mV
Output Leakage Current	I_{OL}	$V_{in-} = 0\text{ V}$, $V_{in+} \geq 1.0\text{ V}$, $V_O = 5.0\text{ V}$, $T_A = 25^\circ\text{C}$ $V_{in-} = 0\text{ V}$, $V_{in+} \geq 1.0\text{ V}$, $V_O = 30\text{ V}$, $0^\circ\text{C} \leq T_A \leq 70^\circ\text{C}$		0.1	1000	nA
Supply Current	I_{CC}	$R_L = \infty$ Both Comparators, $T_A = 25^\circ\text{C}$ $R_L = \infty$ Both Comparators, $V_{CC} = 30\text{ V}$		0.4	1.0 2.5	mA

*1. At output switch point, $V_O = 1.4\text{ V}$, $R_S = 0\Omega$ with V_{CC} from 5.0 V to 30 V , and over the full input common mode range (0 V to $V_{CC} - 1.5\text{ V}$).

*2. Due to the PNP transistor inputs, bias current will flow out of the inputs. This current is essentially constant, independent of the output state, therefore, no loading changes will exist on the input lines.

*3. Input common mode of either input should not be permitted to go more than 0.3 V negative of ground or minus supply. The upper limit of common mode range is $V_{CC} - 1.5\text{ V}$.

*4. Response time is specified with a 100 mV step and 5.0 mV of overdrive. With larger magnitudes of overdrive faster response times are obtainable.

*5. The comparator will exhibit proper output state if one of the inputs becomes greater than V_{CC} , the other input must remain within the common mode range. The low input state must not be less than -0.3 V of ground or minus supply.

X-ON Electronics

Largest Supplier of Electrical and Electronic Components

Click to view similar products for [Analog Comparators](#) category:

Click to view products by [KEXIN](#) manufacturer:

Other Similar products are found below :

[633740E](#) [ADCMP396ARZ-RL7](#) [NCV2200SN2T1G](#) [NCV2200SQ2T2G](#) [SC339DR2G](#) [LM2901SNG](#) [LM339SNG](#) [AP393AM8G-13](#)
[418524AB](#) [TS393CD C3](#) [LM393SNG](#) [55122](#) [5962-8757203IA](#) [MAX971ESA+T](#) [MAX961ESAT](#) [MAX944ESD+T](#) [MAX931ESAT](#)
[MAX984CPE](#) [MAX9062EBSTG45](#) [MAX9041AEUTT](#) [MAX9022ASAT](#) [RT2902YDT](#) [M38510/11201B2A](#) [NTE911](#) [5962-8751601DA](#)
[5962-8751601CA](#) [MAX961EUA+T](#) [MAX9065EBS+TG45](#) [NCV2202SN2T1G](#) [MAX919ESA+T](#) [LT6700HS6-2#TRMPBF](#) [MAX19005CCS+](#)
[LM339EDR2G](#) [LT6700HS6-2#TRM](#) [NTE919](#) [NTE922](#) [TS883IQ2T](#) [LT6700HVCS6-3#TRMPBF](#) [LT6700HVHS6-3#TRMPBF](#)
[MAX978EEE+T](#) [MAX975ESA+T](#) [MAX9602EUG+T](#) [MAX997EUA+T](#) [MIC841NYC5-T5](#) [LM393WDT](#) [MCP6564T-E/STVAO](#)
[MAX983ESA+T](#) [NCX2200GMAZ](#) [LTC1540CMS8#PBF](#) [MC10E1651FNG](#)