

GENERAL DESCRIPTION

KY8023 is a bi-direction relay driver circuit, used to control the magnetic latching relay, with large output capability, ultra-low power consumption. It can be widely used in smart meters and other pulses, level control applications.

KY8023 can provide 400mA typical driving current, which will different according to the relay coil resistance. The maximum driving current can reach 800mA when the supply voltage is equal to or below 15V. The input high level threshold V_{TH} is 1.3V.

KY8023 is available in SOT23-6L and SOP-8 packages.

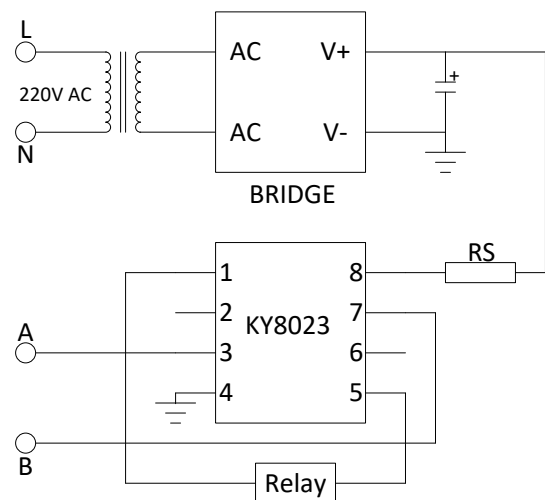
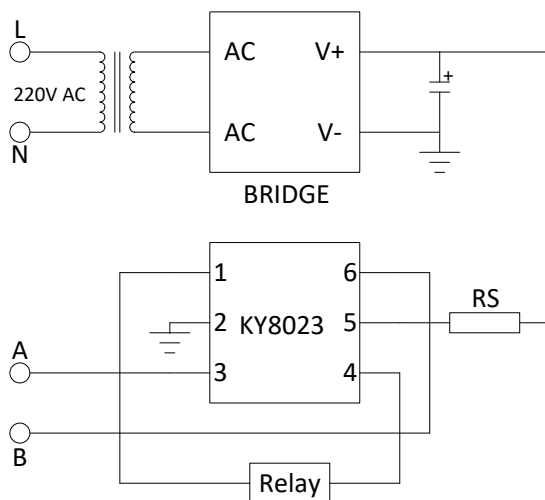
FEATURES

- Input voltage : 5V~40V
- Recommended supply voltage with relay load : 5V~30V
- $I_{SS} < 1\mu A$ (high impedance state)
- Input high level threshold : 1.3V
- Typical driving current : 400mA
Maximum : 800mA ($V_{IN} \leq 15V$)
- $R_{dson} = 7\Omega$ ($V_{IN} = 12V$, PMOSFET+NMOSFET)
 $R_{dson} = 5\Omega$ ($V_{IN} = 30V$, PMOSFET+NMOSFET)
- Fly-wheel diode forward voltage : 1.3V($I_S = 1A$)
- Environment temperature : $-40 \sim +85^\circ C$
- SOT23-6L and SOP-8 packages

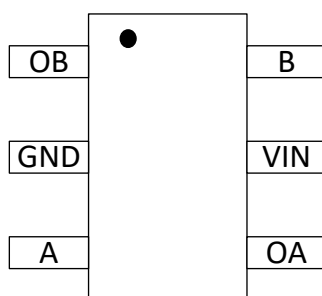
APPLICATIONS

- Smart meter

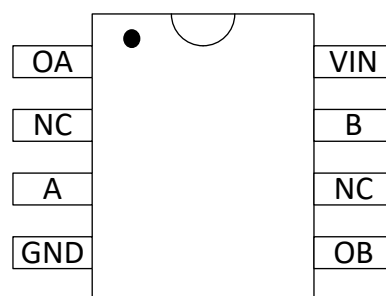
TYPICAL APPLICATION CIRCUIT



PIN ASSIGNMENT



SOT23-6L

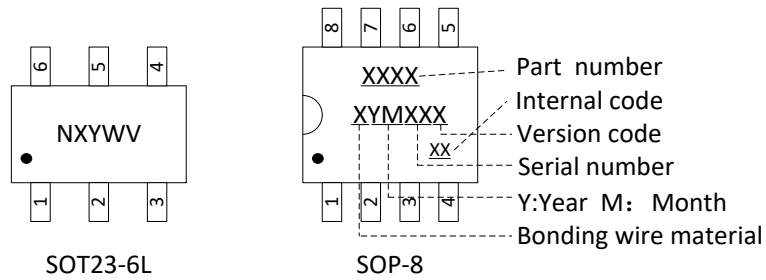


SOP-8

ORDER INFORMATION

PART NO	PACAKGE	TEMPERATURE	TAPE & REEL
KY8023S6	SOT23-6L	-40 ~ +85°C	3000/REEL
KY8023P8	SOP-8	-40 ~ +85°C	2500/REEL

MARKING DESCRIPTION



“N”: product code

“X”: Package factory

“Y”: Wafer foundry vendor.

“W”: The week of manufacturing. “A” stands for week 1, “Z” stands for week 26, “a” stands for week 27, “z” stands for week 52.

“V”: Product version code.

PIN DESCRIPTION

PIN NO		SYMBOL	DESCRIPTION
KY8023S6	KY8023P8		
4	1	OA	Output A
	2	NC	Not connected
3	3	A	Input A
2	4	GND	Ground
1	5	OB	Output B
	6	NC	Not connected
6	7	B	Input B
5	8	VIN	Supply input voltage

ABSOLUTE MAXIMUM RATINGS (Note)

SYMBOL	ITEMS	VALUE	UNIT
V_{IN}	Input Voltage	-0.3~40	V
T_J	Junction Temperature	150	°C
T_a	Ambient Temperature	-40~125	°C
θ_{ja}	Package thermal resistance	SOT23-6L	190
		SOP-8	128
θ_{jc}		SOT23-6L	110
		SOP-8	45

T _{STG}	Storage Temperature	-55 to 150	°C
T _{SOLDER}	Package Lead Soldering Temperature	260°C, 10s	
HBM	ESD Susceptibility, Human Body Mode	3000	V
MM	ESD Susceptibility, Machine Mode	300	V
LU	Latch-up	500	mA

Note: Exceed these limits to damage to the device. Exposure to absolute maximum rating conditions may affect device reliability.

RECOMMENDED OPERATING RANGE

SYMBOL	ITEMS	VALUE	UNIT
V _{IN}	VIN Supply Voltage	5~30	V
T _{OPT}	Operating Temperature	-40 to +85	°C

ELECTRICAL CHARACTERISTICS

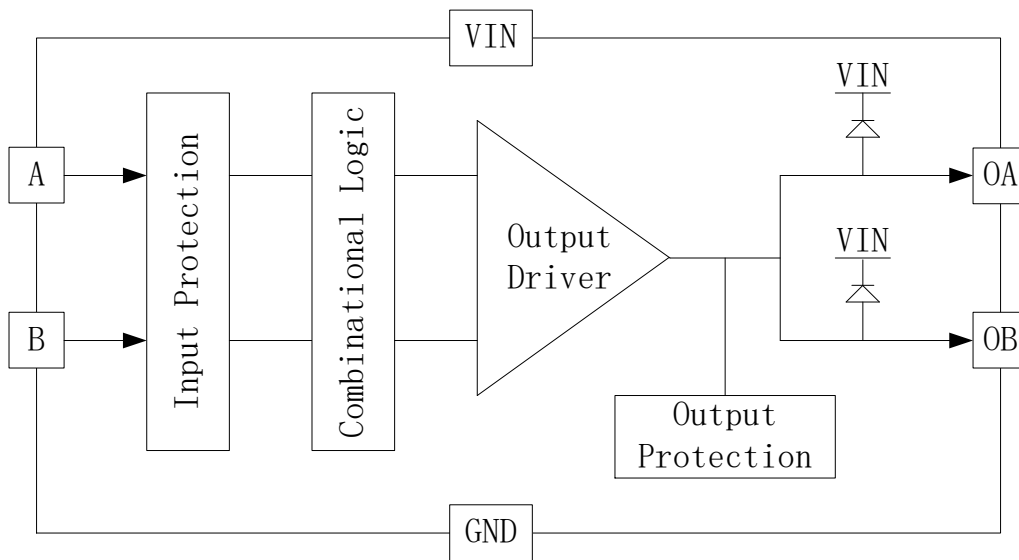
The following specifications apply for V_{IN}=12V T_A=25°C, unless specified otherwise.

SYMBOL	ITEMS	CONDITIONS	MIN	TYP	MAX	UNIT
V _{IN}	Input Voltage		5		30	V
I _Q	Quiescent Current	V _A =3V or V _B =3V		200	250	μA
		V _A =5V or V _B =5V		450	550	
R _{dson}	Switch R _{dson}	V _{IN} =12V, R _L =75Ω		8	10	Ω
		V _{IN} =30V, R _L =75Ω		5.5	10	
		V _{IN} =12V, R _L =40Ω		7	10	
		V _{IN} =30V, R _L =40Ω		5	10	
V _{TH}	ON Input High Voltage			1.3		V
R _{IN}	Equivalent Input Resistor			115		kΩ
V _{SD}	Fly-Wheel Diode Forward Voltage	I _S =1A		1.3	1.5	V
I _{SS}	Shut-down Current	V _A =V _B =0, V _{IN} =40V			1	μA
T _R	Rise Time	V _{IN} =12V, R _L =80Ω		50		ns
T _{D(ON)}	Turn ON Delay Time	V _{IN} =12V, R _L =80Ω		50		ns
T _F	Fall Time	V _{IN} =12V, R _L =80Ω		40		ns
T _{D(OFF)}	Turn OFF Delay Time	V _{IN} =12V, R _L =80Ω		0.8		μs

LOGIC FUNCTION TABLE

Input A	Input B	Output OA	Output OB	RELAY RESPONSE
1	0	1	0	ON
0	1	0	1	OFF
0	0	High-impedance	High-impedance	Hold
1	1	High-impedance	High-impedance	Hold

SIMPLIFIED BLOCK DIAGRAM

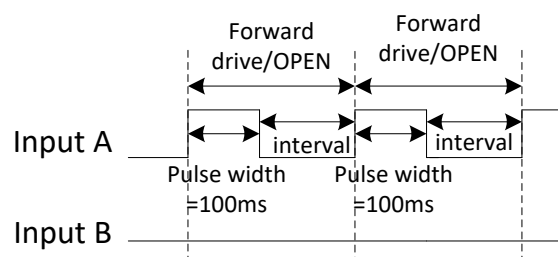
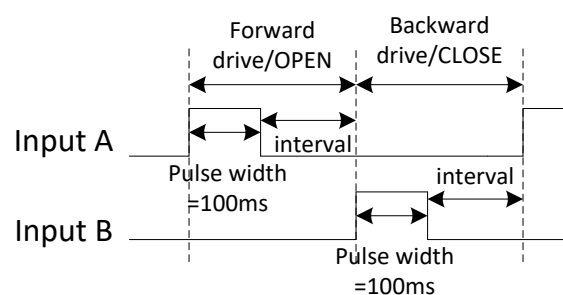


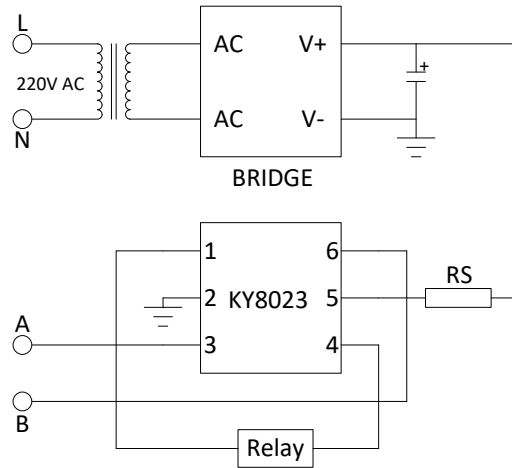
DETAILED DESCRIPTION

Pulse triggering

If input is driven by square pulse, connect the inputs to the pulse source directly. Relay will operate as logic table stated (V_{IN} should be less than the power supply voltage, R_s is current-limiting resistor, it can be ignored in the voltage is below 20V, i.e. $R_s=0$).

The recommended pulse width=100ms. The length of the intervals should be longer than 100ms. These intervals include: intervals between forward drive pulse and next backward drive pulse, intervals between forward drive pulse and next forward drive pulse, intervals between backward drive pulse and next forward drive pulse, intervals between backward drive pulse and next backward drive pulse.



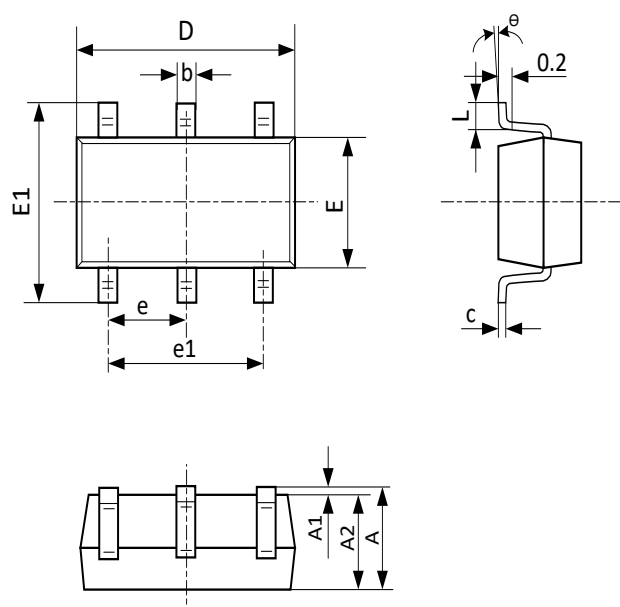


Pulse triggering application diagram

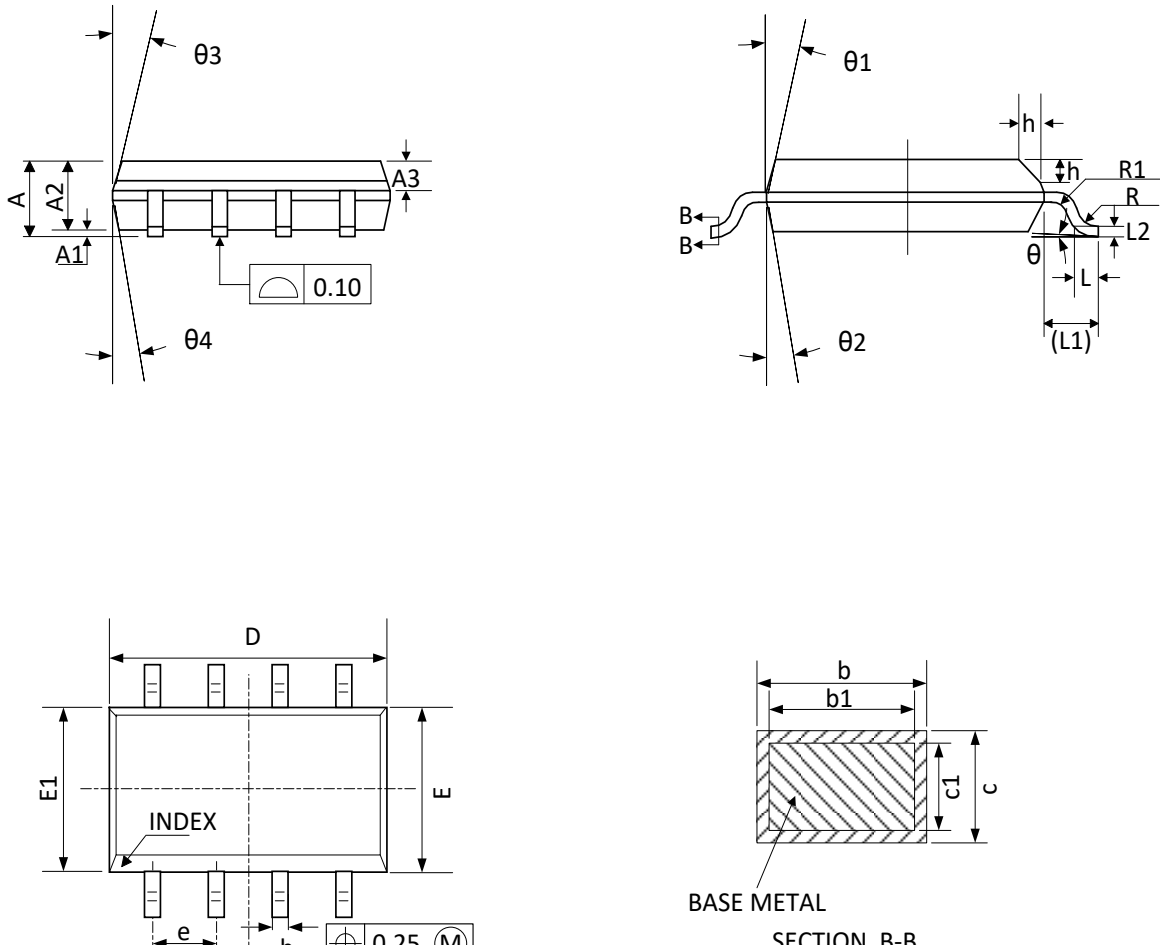
Relay free-wheel

Relay from ON to OFF, the energy stored in the relay inductor released by the chip's internal body diode and the relay inductor. Until the end of the release of this energy, relay proceeding to the next operation.

PACKAGE OUTLINE

Package	SOT23-6L	Devices per reel	3000Pcs	Unit	mm
Package Dimension:					
					
Symbol	Dimensions In Millimeters				
	Min.	Typ.	Max.		
A	1.050	-	1.250		
A1	0.000	-	0.100		
A2	1.050	-	1.150		
b	0.300	0.400	0.500		
c	0.100	-	0.200		
D	2.820	2.900	3.020		
E	1.500	1.600	1.700		
E1	2.650	2.800	2.950		
e	0.950 Typ.				
e1	1.800	1.900	2.000		
L	0.300	-	0.600		
θ	0°	-	8°		

PACKAGE OUTLINE

Package	SOP-8	Devices per reel	2500Pcs	Unit	mm		
Package Dimension:							
							
Symbol	Dimension (mm)			Symbol	Dimension (mm)		
	MIN	NOM	MAX		MIN	NOM	MAX
A	-	-	1.77	D	4.7	4.9	5.1
A1	0.08	0.18	0.28	E	5.8	6	6.2
A2	1.2	1.4	1.6	E1	3.7	3.9	4.1
A3	0.55	0.65	0.75	e	1.27BSC		
b	0.39	-	0.48	L	0.5	0.65	0.8
b1	0.38	0.41	0.43	L1	1.05BSC		
c	0.21	-	0.26	θ	0	-	8°

Revision History

Version No.	Date	Description
Rev 1.0	2019-03-20	Initial preliminary release

X-ON Electronics

Largest Supplier of Electrical and Electronic Components

Click to view similar products for [Motor/Motion/Ignition Controllers & Drivers](#) category:

Click to view products by [Keysemi](#) manufacturer:

Other Similar products are found below :

[MC33931EKR2](#) [FSB50550TB2](#) [FSBF15CH60BTH](#) [MSVCPM2-63-12](#) [MSVGW45-14-2](#) [MSVGW54-14-3](#) [NTE7043](#) [CAT3211MUTAG](#)
[LA6245P-TLM-E](#) [LA6565VR-TLM-E](#) [LB11650-E](#) [LB1694N-E](#) [LB1837M-TLM-E](#) [LB1845DAZ-XE](#) [LC898111AXB-MH](#) [LC898300XA-](#)
[MH](#) [SS30-TE-L-E](#) [LV8281VR-TLM-H](#) [BA5839FP-E2](#) [IRAM236-1067A](#) [LA6584JA-AH](#) [LB11847L-E](#) [NCV70501DW002R2G](#)
[STK581U3C0D-E](#) [AH293-PL-B](#) [STK672-120-E](#) [TND315S-TL-2H](#) [FNA23060](#) [FSB50250AB](#) [FSB50450T](#) [FNA41060](#) [MSVBTC50E](#)
[MSVCPM3-54-12](#) [MSVCPM3-63-12](#) [MSVCPM4-63-12](#) [FSB50550AB](#) [FSBB20CH60SL](#) [NCV70501DW002G](#) [LC898301XA-MH](#)
[LV8413GP-TE-L-E](#) [MSVGW45-14-3](#) [MSVGW45-14-4](#) [MSVGW54-14-4](#) [TB6552FNG,C,8,EL](#) [STK984-091A-E](#) [LB11651-E](#) [IRSM515-](#)
[025DA4](#) [LV8127T-TLM-H](#) [MC33812EKR2](#) [IKCM10H60GA](#)