

34980A

Data Acquisition System



High-performance data acquisition system provides a low-cost, highly flexible measurement platform

If you use automated test equipment for design validation or manufacturing, you now have a cost-effective solution for many test system applications. The 34980A multifunction switch/measure unit provides functionality that is easy to set up and use, with a fast startup time. The 34980A helps you lower your cost of test and accelerate your test-system integration and development.

The 34980A handles system switching up to 26.5 GHz and provides basic measurements and system control. It also offers DMM measurements, counter/ totalizer functionality, digital I/O with pattern capabilities, and analog outputs with basic waveforms— all in one low-cost, compact box. And with its standard connectors and software drivers, computer-standard I/O, and Web browser interface, the 34980A easily integrates into electronic functional test and data acquisition systems.

Flexible switching, measurements, and system control

The 34980A accommodates up to 8 plug-in modules to give you the flexibility you need. Choose from 21 different modules to define your own configuration. You can buy what you need now and add to it or reconfigure it as your requirements change.

Whether you are measuring temperature, AC or DC voltage, resistance, frequency, current, or custom measurements, the 34980A offers the functionality you need in a single box. Switch in different measurements with high-performance signal switching up to 300V with no external signal conditioning required. Choose between different switch types and topologies with frequency ranges from DC to 26.5 GHz. The 34980A offers high-density multiplexers for scanning multiple channels, matrices for connecting multiple points at one time, and general-purpose switches for simple control and high power needs.

Use the 34980A to route individual signals or monitor multiple signals over a specified period of time — monitor a single channel or multiple channels, set alarms, and identify irregularities.

The 34980A offers flexible choices for system control. You can control external devices such as microwave switches, attenuators, solenoids, and power relays. Or you can use the digital inputs to sense limit-switch and digital-bus status.

Optimized for test systems

The 34980A has the performance you need for medium- to high-density switching/measurement applications such as design verification, functional test and data acquisition. Your signals are switched to the right measurement device without compromising signal integrity. Switch your signals to the optional internal DMM and achieve optimal throughput on switch closure time. Or, if you prefer, you can easily connect to external instruments such as DMMs, scopes, power supplies, and more. What's more, with the built-in Ethernet interface, you can control the 34980A and collect data from anywhere on the network. For a complete modular solution, use the 34980A together with PXI modular products when more capability is required.

The rugged instrument comes with a variety of system-ready features:

- Web browser interface shows settings at a glance and provides remote access and control when using a browser that supports Java applets.
- Self-guiding front panel to configure, troubleshoot or view data
- Low EMI and efficient system cooling

- Heavy-duty cabling and connection options
- Flexible rack mounting options
- Relay counters help predict end-of-life
- In-rack calibration for reduced maintenance time
- DMM measurement accuracies include the switch for simple calculations

Make system connections easily and quickly with simple, reliable connection options:

- Built-in Ethernet, USB 2.0, and GPIB connectivity
- Low-cost, standard 50- or 78-pin Dsub connectors and cables
- Detachable terminal blocks with strain relief
- Mass interconnect solutions

Keysight Technologies, Inc. IO Libraries Suite enables you to quickly establish an error-free connection between your PC and instruments—regardless of vendor. The IO Libraries provide robust instrument control and enables you to work with the software development environment you choose.

The 34980A provides four 2-wire internal analog buses for easy signal routing. You can route your measurements directly to the internal DMM, or you can connect to external instruments through the analog bus connector on the rear of the mainframe. And since you have four 2-wire buses, you can dedicate one bus for use with the internal DMM and use the other three buses for module extensions or additional signal routing between modules which can reduce wiring complexity.

You can define up to 500 switch sequences to control complex signal routing and the order of switch closures. Assign a sequence, give it a name and then execute it with the name you create. Switch sequences are downloaded and stored in the instrument for ease of programming and increased throughput.

External trigger capabilities make it easy for you to time and synchronize measurements, other events, and control when to begin or end an acquisition.

Measurements you can trust

Get proven performance from Keysight instruments, with the resolution, repeatability, speed, and accuracy you've come to expect.

The 34980A offers built-in signal conditioning and modular flexibility. When you use it with the internal DMM, you can configure each channel independently for the measurements you choose. It includes a variety of features that give you confidence in your measurements:

- 6½ digits of resolution with .004% of accuracy with DC voltage measurements
- Alarms per channel—high limit, low limit, or both
- Math functions—use $Mx+B$ for custom linear conversions and converting raw inputs
- Built-in thermocouple reference for temperature measurements (34921T)
- Time-stamped readings
- Add more formulas with BenchVue DAQ

The integrated DMM is mounted inside the mainframe and does not consume any of the eight user-available slots. You can access the DMM through any switch module that connects to the analog bus, or directly from the analog bus connector on the rear of the mainframe. The internal DMM gives you the flexibility to measure 11 types of inputs:

- Temperature with thermocouples, RTDs, or thermistors (with 34921A)
- DC and AC voltage
- 2- and 4-wire resistance
- Frequency and period
- DC and AC current

You can control the DMM directly or configure it to work in conjunction with the switches. Each switch channel can be configured independently for measurement functions, scale factors and alarm limits. Advanced measurement features such as offset compensation, variable integration time, and delay are also selectable on a per-channel basis.

The DMM inputs are shielded and optically isolated from the 34980A's earth-referenced circuitry and computer interface, and as a result, you get up to 300 V of input isolation. This is important for reducing ground-loops and common-mode voltage errors associated with long wiring runs and floating sources.

Simple DMM calibration is accomplished with just the analog bus connection on the rear panel of the mainframe. You don't need to remove the mainframe from the rack or dedicate a channel for calibration.

Modules provide flexible system stimulus and control

System control—with analog outputs, open-collector digital outputs, clock generation, and isolated Form-C relays for controlling external devices. Additionally, with the microwave switch/attenuator driver, high-frequency switches and attenuators can be efficiently controlled external to the 34980A mainframe.

Analog sources—output either voltage or current. You can configure the 4-channel isolated D/A converter as a point-to-point arbitrary waveform generator that lets you define up to 500,000 points per waveform.

Digital patterns—send or receive digital data from your device under test. With onboard memory you can output communication protocols and bit streams or monitor digital input patterns and interrupt when a user-defined pattern is detected.

Standard interfaces take the hassle out of connecting to your PC

Standard Ethernet, USB and GPIB interfaces are included in every mainframe. Use one of the built-in interfaces that is already available in your computer, or if you prefer, GPIB is still available.

- USB offers the quickest and easiest connection scheme—it's perfect for small systems and bench connections.
- Ethernet offers high-speed connections that allow for remote access and control. Choose a local area network to filter out unwanted LAN traffic and speed up the I/O throughput. Or take advantage of the remote capabilities and distribute your tests worldwide. Use the graphical Web browser to monitor, troubleshoot, or debug your application remotely.
- GPIB has many years of proven reliability for instrument communication and can be used in existing GPIB based test systems.

Remote access and control

The built-in Web browser interface provides remote access and control of the instrument via a Java applet-enabled browser such as Internet Explorer version 11. Using the Web interface, you can set up, troubleshoot, and maintain your system remotely:

- View and modify instrument setup
- Open, close, or monitor switches
- Send SCPI commands
- Define and execute switch scans and switch sequences
- View error queue
- Get status reports on relay counts, firmware revisions, and more

Additionally, since the Web interface is built into the instrument, you can access it on any operating system that supports the Web browser without having to install any special software. Password protection and LAN lock out are also provided to limit access. The Web interface makes it easy to set up, troubleshoot and maintain your system remotely.

Work with your choice of software so you can save time and preserve your software and hardware investments. Program directly with SCPI, or use IVI or LabVIEW software drivers that provide compatibility with the most popular development environments and tools:

- Keysight VEE Pro
- National Instruments LabVIEW, LabWindows/CVI, TestStand, and Switch Executive
- Microsoft Visual Studio.NET, C/C++ and Visual Basic 6

BenchVue data acquisition control and analysis

The BenchVue software platform enables you to easily connect to and control the 34980A using the BenchVue DAQ application. This application enables you to quickly configure channels, log data, and visualize measurements for 11 of the 21 plug-in modules. Simply identify the measurements you want to acquire, initiate the process and see the data displayed real-time. The rich set of colorful graphics provides many options for analyzing and displaying your data. You can specify multiple channels per graph or send collected data to multiple graphs. You can use strip charts with markers and alarm indication or histograms with statistics. And of course, you can use BenchVue to easily move data to other applications for further analysis, or for inclusion in your presentations and reports.



Figure 1. BenchVue DAQ

Power and flexibility to get your job done



Intuitive front panel with self-guiding menus

See results on bright, multiline display

6 1/2 digit DMM measurements with 11 functions

Scan multiple channels, close specified channel list, or monitor results on a single channel

Use keypad to enter channel number or knob to scroll

Configure measurements by channel

Set up scan lists

Store up to 500,000 readings with timestamps

External trigger to synchronize events

8 module slots connect to optional internal DMM

Built-in Ethernet, USB 2.0, and GPIB interfaces



Access to four 2-wire analog buses

19 flexible, plug-in modules

Common connector types for use with optional terminal blocks, cables and connector kits

Mix and match 34980A modules to create your own custom configuration

The 34980A mainframe holds up to eight plug-in modules. Mix and match them to create a custom system to meet your switching and system control needs. You can easily add or replace modules as your needs change.

| Module | Description | Max volts | Switch/Carry current | BW (MHz) | Scan ch/sec | Thermal offset | Comments |
|--------------------------------|--|----------------------|----------------------|----------|-------------|------------------|---|
| Multiplexer modules | | | | | | | |
| 34921A | 40-channel armature multiplexer w/low thermal offset | ± 300 V | 1A/2A | 45 MHz | 100 | < 3 µV | Temperature reference 4 current channels Config as 2- or 4-wire |
| 34922A | 70-channel armature multiplexer | ± 300 V | 1A/2A | 25 MHz | 100 | < 3 µV | Config as 2- or 4-wire |
| 34923A | 40/80-channel reed multiplexer | ± 150 V | 0.5A/1.5A | 45 MHz | 500 | < 50 µV | Config as 1-, 2- or 4-wire |
| 34924A | 70-channel reed multiplexer | ± 150 V | 0.5A/1.5A | 25 MHz | 500 | < 50 µV | Config as 2- or 4-wire |
| 34925A | 40/80-channel optically isolated FET multiplexer | ± 80 V | 0.02A | 1 MHz | 1000 | < 3 µV | Config as 1-, 2- or 4-wire |
| Matrix modules | | | | | | | |
| 34931A | Dual 4x8 armature matrix | ± 300 V | 1A/2A | 30 MHz | 100 | < 3 µV | Backplane expandable |
| 34932A | Dual 4x16 armature matrix | ± 300 V | 1A/2A | 30 MHz | 100 | < 3 µV | Backplane expandable |
| 34933A | Dual/Quad 4x8 reed matrix | ± 150 V | 0.5A/1.5A | 30 MHz | 500 | < 50 µV | Backplane expandable Config as 1- or 2-wire |
| 34934A | Quad 4x32 reed matrix | ± 100V | 0.5A/0.5A | 20MHz | 500 | < 50 µV | Row expansion kit. Config as 1- or 2-wire |
| General-purpose modules | | | | | | | |
| 34937A | 28-channel Form C and 4-channel Form A | ± 300 V ± 250 VAC | 1A/2A 5A | 10 MHz | N/A | < 3 µV < 3 µV | |
| 34938A | 20-channel 5-amp Form A | ± 250 VAC | 5A/8A | 1 MHz | N/A | < 3 µV | |
| 34939A | 64-channels Form A | ± 100 V | 1A/2A | 10 MHz | N/A | < 3 µV | |

| Module | Description | Insertion loss | Isolation | Freq range | VSWR | Input impedance | Comments |
|---------------------------------|---|---|----------------------------------|-----------------------------|---------------------------|-----------------|-----------------------------------|
| RF and microwave modules | | | | | | | |
| 34941A | Quad 1x4 50 ohm 3 GHz RF multiplexer | 0.6 dB | > 58 dB | 3 GHz | < 1.25 | 50 Ω | @ 1 GHz |
| 34942A | Quad 1x4 75 ohm 1.5 GHz RF multiplexer | 0.6 dB | > 60 dB | 1.5 GHz | < 1.35 | 75 Ω | @ 1 GHz |
| 34945A / 34945EXT | Microwave switch/attenuator driver | Can drive up to 64 external switch coils; 32 SPDT switches, 8 multipoint switches, 8 attenuators, or your own combination. Expand with additional 34945EXTs | | | | | |
| 34946A | Dual 1x2 SPDT terminated microwave switch | < 0.42 dB < 0.69 dB < 0.8 dB | > 85 dB > 67 dB > 60 dB | 4 GHz or 20 GHz 26.5 GHz | < 1.15 < 1.30 < 1.6 | 50 Ω | @ 4 GHz @ 20 GHz @ 26.5 GHz |
| 34947A | Triple 1x2 SPDT unterminated microwave switch | < 0.42 dB < 0.69 dB < 0.8 dB | > 85 dB < 0.69 dB < 0.8 dB | 4 GHz or 20 GHz 26.5 GHz | < 1.15 < 1.30 < 1.6 | 50 Ω | @ 4 GHz @ 20 GHz @ 26.5 GHz |

| Module | Description | Comment |
|-------------------------------|--|--|
| System control modules | | |
| 34950A | 64-bit digital I/O with memory and counter | Eight 8-bit digital I/O channels with programmable polarity, thresholds up to 5 V, with handshaking protocols and pattern memory. Two 10 MHz frequency counter and programmable clock output to 20 MHz. |
| 34951A | 4-channel isolated D/A converter with waveform memory | Output DC voltage up to ± 16 V or DC current up to ± 20 mA. Output waveforms with a 200 kHz update rate and 16 bits of resolution. Use on-board memory to create point-to-point waveforms with more than 500,000 points. |
| 34952A | Multifunction module with 32-bit DIO, 2-ch D/A and totalizer | Four 8-bit digital I/O channels, two ± 12-V analog outputs, and a 100 kHz gated totalizer. |
| 34959A | Breadboard module | Create your own custom designs with access to the +12 V and +5 V supplies, 16 GPIO ports and 28 relay drive lines |

34980A multiplexer switch modules

The 34980A multiplexer modules can be used to connect one of many different points to a single point. You can connect to an external instrument or scan multiple analog signals to the internal DMM.

Choose from the following features:

- 1-wire, 2-wire, or 4-wire configurations
- High voltage—up to 300 V, 1 A
- High density—70 2-wire or 80 1-wire channels
- Scan up to 1000ch/sec with the 34925A
- Bandwidths up to 45 MHz
- Temperature measurements with built-in thermocouple reference junction (34921T)
- AC or DC current measurements without external shunts
- Flexible connections via standard 50- or 78- pin Dsub cables or detachable terminal blocks

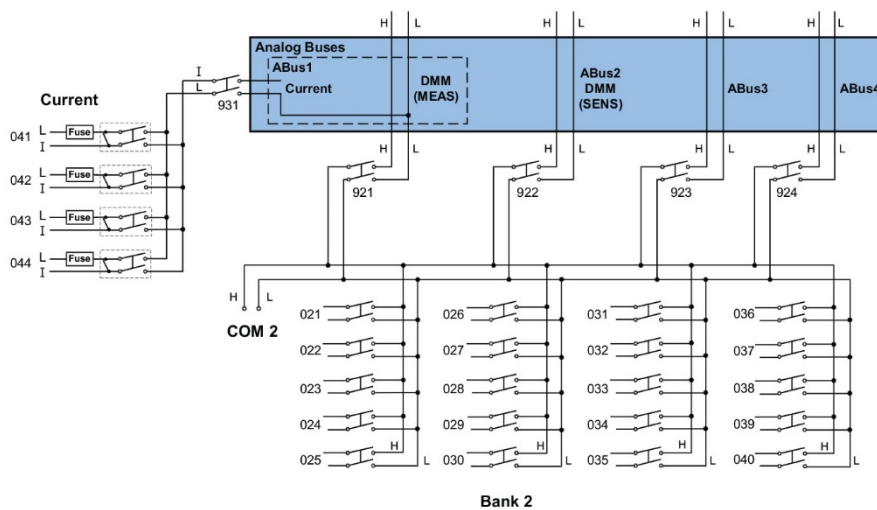


Figure 2. 34921A 40-channel armature multiplexer with low thermal offset (bank 2)

| | Voltage AC/DC | Current AC/DC | Freq/Period | Ω 2-Wire | Ω 4-Wire | Thermo-couple | RTD 2-Wire | RTD 4-Wire | Thermistor |
|----------------------------------|---------------|---------------|-------------|-----------------|-----------------|---------------|------------|------------|------------|
| 34921A Armature Multiplexer | Yes | Yes | Yes | Yes | Yes | Yes | Yes | Yes | Yes |
| 34922A Armature Multiplexer | Yes | No | Yes | Yes | Yes | Yes | Yes | Yes | Yes |
| 34923A Reed Multiplexer (2-wire) | Yes | No | Yes | Yes | Yes | Yes | Yes | Yes | Yes |
| 34923A Reed Multiplexer (1-wire) | Yes | No | Yes | Yes | No | Yes | Yes | No | Yes |
| 34924A Reed Multiplexer | Yes | No | Yes | Yes | Yes | Yes | Yes | Yes | Yes |
| 34925A FET Multiplexer (2-wire) | Yes | No | Yes | Yes | Yes | Yes | No | Yes | No |
| 34925A FET Multiplexer (1-wire) | Yes | No | Yes | Yes | No | Yes | No | No | No |

NOTE: See User's Guide for additional information.

Multiple multiplexers can connect to the built-in analog buses, allowing you to scan up to 560 2-wire channels or 640 1-wire channels in a single mainframe. The 34921A also offers 4 channels for directly measuring current. Or if you need more current channels, shunts can be added to the terminal block for easy current measurements.

The multiplexer modules feature break-before-make connections to ensure that no two signals are connected to each other during a scan. Or, if you prefer, you can control switching manually to create your own switch configuration. All the multiplexer switches have a relay counter to help predict when relays need to be replaced.

NOTE: The 34923A and 34924A have 100 ohm input protection resistors that limit current and protect the reed relays.

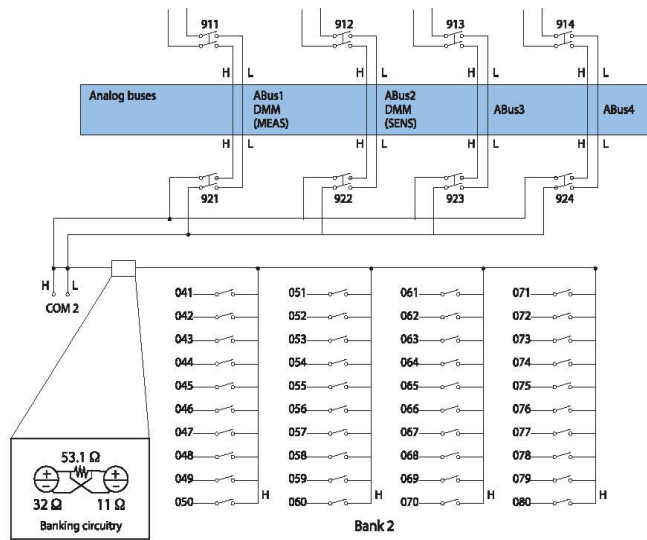


Figure 3. 34925A 40/80-channel optically isolated FET mux (shown in 1-wire mode)

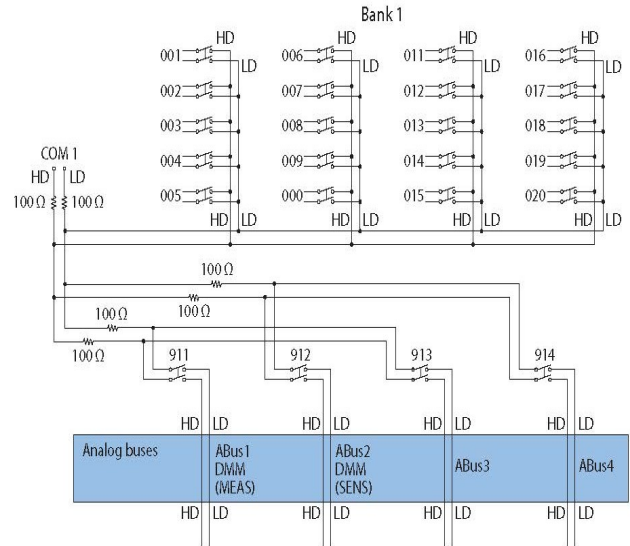


Figure 4. 34923A 40 channel reed multiplexer (bank 1 shown)

| Multiplexer switch modules | 34921A | 34922A | 34923A | 34924A | 34925A |
|---|--|------------------------|--|--|-------------------------------------|
| Channels/configurations | 40 2-wire 20 4-wire 4-current 1.5 A Fused | 70 2-wire 35 4-wire | 80 1-wire 40 2-wire 20 4-wire | 70 2-wire 35 4-wire | 80 1-wire 40 2-wire 20 4-wire |
| Switch type | Armature latching | Armature latching | Reed | Reed | Optically isolated FET |
| Input characteristics (per channel) | | | | | |
| Max volts | ± 300 V ¹ | ± 300 V ¹ | ± 150 V peak ² | ± 150 V peak ² | ± 80 V peak ² |
| Max current (DC, AC RMS) | 1 A | 1 A | 0.5 A ^{5/} 0.05 A ¹¹ | 0.5 A ^{5/} 0.05 A ¹¹ | 0.02 A ⁸ |
| Switch current | | | | | |
| Carry current | 2 A | 2 A | 1.5 A ^{5/} 0.05 A ¹¹ | 1.5 A ^{5/} 0.05 A ¹¹ | |
| Power (W, VA) ⁶ | 60 W | 60 W | 10 W | 10 W | 1.6 W |
| Volt-Hertz limit | 10 ⁸ | 10 ⁸ | 10 ⁸ | 10 ⁸ | 10 ⁷ |
| Initial closed channel res ^{3, 12} | < 1.5 Ω | < 1.5 Ω | < 1.5 Ω ^{5/} 200 ¹¹ nominal | < 1.5 Ω ^{5/} 200 ¹¹ Nominal | < 700 Ω |
| General specifications | | | | | |
| Offset voltage ³ | < 3 μV | < 3 μV | < 50 μV < 100 uV 1-wire | < 50 uV | < 3 μV |
| DC Isolation (ch-ch, ch-earth) | > 10 GΩ | > 10 GΩ | > 10 GΩ > | 10 GΩ | > 10 GΩ |
| Leakage current ³ | N/A | N/A | N/A | N/A | 20 nA ⁹ |
| T/C cold junction accuracy ^{3, 10} | < 1°C | N/A | N/A | N/A | N/A |

| AC characteristics | | | | | |
|--|------------------|------------------|---|--|---|
| Bandwidth at terminal block ⁴ | 45 MHz | 25 MHz | 45 MHz ⁵ /4 MHz 10 MHz 1-wire | 25 MHz ⁵ /4 MHz ¹¹ | 1 MHz |
| Crosstalk at terminal block (ch-ch) ⁴ 300 kHz | - 75 dB | - 75 dB | - 75 dB | - 75 dB | Not recommended for RF signal switching |
| 1 MHz | - 75 dB | - 75 dB | - 75 dB | - 70 dB | |
| 20 MHz | - 50 dB | - 50 dB | - 50 dB | - 45 dB | |
| 45 MHz | - 40 dB | | - 40 dB | | |
| Capacitance at terminal block HI-LO LO – earth | 150 pF 150 pF | 250 pF 200 pF | 130 pF 120 pF | 200 pF 170 pF | 100 pF 300 pF (600 pF 1- wire) |
| General Characteristics | | | | | |
| Relay life, typical | | | | | |
| No load | 100 M | 100 M | 1000 M | 1000 M | Unlimited within banks |
| 10 V, 100 mA | 10 M | 10 M | 10 M | 10 M | |
| Rated load | 100 k | 100 k | 10 k | 10 k | |
| Scanning speeds ⁷ | 100 ch/sec | 100 ch/sec | 500 ch/sec | 500 ch/sec | 1000 ch/sec |
| Open/ close time, typical | 4 ms/4 ms | 4 ms/4 ms | 0.5 ms/0.5 ms | 0.5 ms/0.5 ms | 0.25 ms/0.25 ms |
| Analog bus backplane | Yes | Yes | Yes | Yes | Yes |

1. DC or AC RMS voltage, channel-to-channel or channel-to-earth
2. Peak voltage, channel-to-channel or channel-to-earth
3. Into analog bus. System errors are included in the internal DMM measurement accuracy specifications
4. 50 Ω source, 50 Ω load, differential measurements verified with 4-port network analyzer (Sdd21)
5. With input resistors bypassed. Bypassing resistors will reduce lifetime of relays. See the rated load relay life characteristics.
6. Limited to 6 W of channel resistance power loss per module
7. Speeds are for 2-wire ohms or DCV, 4 1/2 digits, delay 0, display off, autozero off, and within bank
8. DC or peak AC current
9. Ambient temperature < 30 °C
10. Includes 0.5 °C temperature reference sensor and 0.5 °C terminal block isothermal gradient error, measured under worst case loading of the mainframe; see User's Guide for information on supported external reference sensors
11. With input protection resistors: 2 x 100 Ω ± 5%; 0.5W; TC = ± 200 ppm/°C. The series resistance of the 34923/24/25 limits the use of the 100 Ω range.
12. Channel resistance is typically < 1.5 Ω but can go as high as 50 Ω when a channel is used in measurement applications with < 10 mA load current. Increased relay channel resistance for measurements with load currents below 10 mA can occur on cards that have been out of service or following relay inactivity for periods of greater than 1 week. Switching relays for 2K cycles prior to use may reduce the variation in channel resistance. Applies to the 34921A and 34922A. Keysight recommends the use of 4-wire Ohms for resistance measurements. For high accuracy voltage measurements, select the DMM input resistance setting of > 10 G ohms to minimize the impact of relay contact resistance.

34980A matrix switch modules

The 34980A matrix modules are full crosspoint matrices that allow you to connect any row to any column. This is a convenient way to connect multiple test instruments to multiple points on a device under test.

Choose from the following features:

- Latching armature relays—300 V, 1 A
- High-speed reed relays—150 V, 0.5 A
- Configurable dual 4x8, dual 4x16 or quad 4x32 modules
- Single-wire configuration (34933A or 34934A)
- High density matrix with automatic surge protection and row disconnect for flexible measurements (34934A)
- Analog bus expandable rows to create larger matrices (34931A, 32A, 33A)
- Connections via standard 50 or 78-pin D-sub cables or detachable terminal block

Each cross-point in the matrix switch has two wires—a high and a low for the measurement. Or, if you prefer, the 34933A and 34934A can be configured as a single-wire matrix, increasing the number of channels.

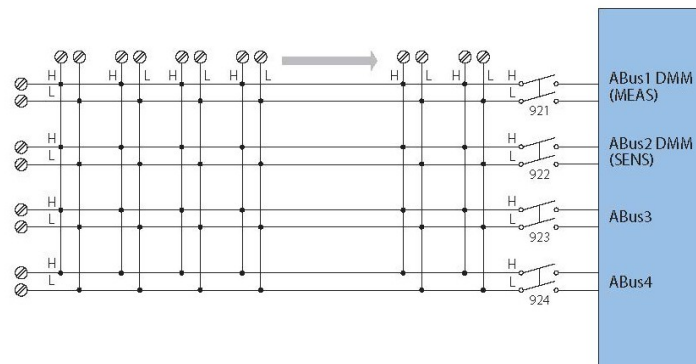


Figure 5. 34932A dual 4x16 armature matrix

The 34933A also has in-rush resistors on each column for added protection. The 34934A also has in-rush protection resistors, but also has an automatic bypass switch for flexibility in making low-level measurements. Row disconnect switches also reduce the capacitance loading when combining modules to create larger matrices.

Multiple matrix modules can be combined through the analog bus or the row expansion kit (34934A only) to create a larger matrix. The matrix can then be connected to the internal DMM for easy measurements.

Combine your matrix with a multiplexer switch to achieve the desired switching topology and get a lower-cost solution with better specifications. All the matrix switches include a relay counter to help predict when relays need to be replaced. Use the sequencing feature to easily change between different cross-point setups.

NOTE: The 34933A and 34934A have 100 ohm input protection resistors to limit current and protect the reed relays

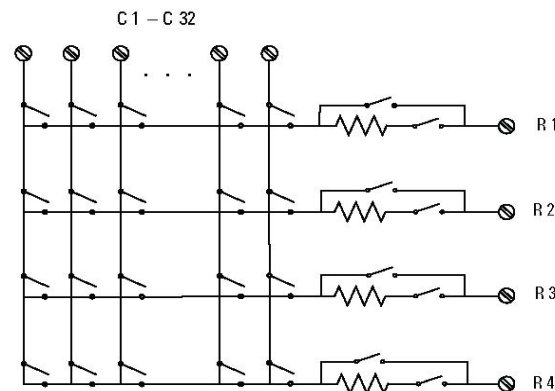


Figure 6. 34934A quad 4x32 matrix (1 of 4 matrices shown)

| Matrix switch modules | 34931A | 34932A | 34933A | 34934A |
|--|-------------------------|---------------------------|---|-------------------------------------|
| Channels/configurations | dual 4x8 8x8 4x16 | dual 4x16 8x16 4x32 | dual 4x8 8x8 4x16 quad 4x8, 1-wire | quad 4x32 4x128 8x64 16x32 |
| Switch type | Armature latching | Armature latching | Reed non-latching | Reed non-latching |
| Input characteristics (per channel) | | | | |
| Max volts | ± 300 V ¹ | ± 300 V ¹ | ± 150 V peak ² | ± 100 V peak |
| Max current (DC, AC RMS) | | | | |
| Switch current | 1 A | 1 A | 0.5 A ⁵ /0.05 A ⁸ | 0.5 A |
| Carry current | 2 A | 2 A | 1.5 A ⁵ /0.05 A ⁸ | 0.5 A |
| Power (W, VA) ^{2,6} | 60 W | 60 W | 10 W ⁷ | 10 W |
| Volt-Hertz limit | 10 ⁸ | 10 ⁸ | 10 ⁸ | 10 ⁸ |
| Initial closed channel res ^{3,9} | < 1.5 Ω | < 1.5 Ω | < 1.5 Ω ⁵ /200 Ω ⁸ nominal | < 1 Ω/100 Ω |
| General Specifications | | | | |
| Offset voltage | < 3 uV | < 3 uV | < 50 uV < 100 uV 1-wire | < 20 uV < 50 uV 1-wire |
| DC Isolation (ch-ch, ch-earth) | > 10G Ω | > 10G Ω | > 10G Ω | 10G Ω |
| AC characteristics | | | | |
| Bandwidth at terminal block ⁴ | 30 MHz | 30 MHz | 30 MHz ⁵ /4 MHz ⁸ 2 MHz 1-wire | 35 MHz 2-wire 15 MHz 1-wire |
| Crosstalk at terminal block (ch-ch)⁴ | | | | |
| 300 kHz | -65 dB | -65 dB | -65 dB | -65 dB |
| 1 MHz | -55 dB | -55 dB | -55 dB | -55 dB |
| 20 MHz | -30 dB | -30 dB | -40 dB | -33 dB |
| Capacitance at terminal block | | | | |
| HI-LO | 50 pF | 50 pF | 80 pF | 45 pF |
| LO – earth | 80 pF | 80 pF | 75 pF | 250 pF |
| General characteristics | | | | |
| Relay life, typical | | | | |
| No load | 100 M | 100 M | 1000 M | 1000 M operations |
| 10 V, 100 mA | 10 M | 10 M | 10 M | |
| Rated load | 100 k | 100 k | 10 k | |
| Open/close time | 4 ms/4 ms | 4 ms/4 ms | 0.5 ms/0.5 ms | 0.35 ms/0.10 ms |
| Analog bus backplane connection | Bank 2 | Bank 2 | Bank 2 | No |

1. DC or AC RMS voltage, channel-to-channel or channel-to-earth
2. Peak voltage, channel-to-channel or channel-to-earth
3. Into analog bus. System errors are included in the internal DMM measurement accuracy specifications
4. 50 Ω source, 50 Ω load, differential measurements verified (Sdd21)
5. With input resistors bypassed. Bypassing resistors will reduce lifetime of relays. See the rated load relay life characteristics.
6. Limited to 6 W channel resistance power loss per module
7. Power restrictions allow only 20 channels to be closed at one time
8. Protection Resistors:
9. 34933A - 100Ω ± 5%; 0.5W; TC = ±200ppm/°C.
10. 34934A - 100Ω ± 1%; 0.25W; TC = ±100ppm/°C.
11. If this resistance is not bypassed in the low side source line of a 4-wire resistance measurement, the 100 Ω range is limited.
12. Channel resistance is typically < 1.5 Ω but can go as high as 50 Ω when a channel is used in measurement applications with < 10 mA load current. Increased relay channel resistance for measurements with load currents below 10 mA can occur on cards that have been out of service or following relay inactivity for periods of greater than 1 week. Switching relays for 2K cycles prior to use may reduce the variation in channel resistance. Applies to the 34931A and 34932A. Keysight recommends the use of 4-wire Ohms for resistance measurements. For high accuracy voltage measurements, select the DMM input resistance setting of > 10 G ohms to minimize the impact of relay contact resistance.

34980A general-purpose switch modules

The 34980A general-purpose switches can be used to route signals or to control other system devices. These switches are ideal for device actuation and switching loads or power supplies.

Choose from the following features:

- Form C channels up to 1 A, 50 W
- Form A channels up to 5 A, 150 W
- Armature latching relays
- Simultaneous channel switching
- Temperature sensor to detect overheating conditions
- Connections via standard 50 or 78-pin Dsub cables or detachable terminal block

The 34937A is the most versatile general purpose switch with 28 Form C channels that can switch up to 1 A of current. In addition, this module has four Form A channels that can switch up to 5 A of current. For power switching applications, the 34938A has 20 5-amp channels in a Form A topology. Each Form A general-purpose switch can handle up to 150 W, enough for many power line switching applications. For high density applications the 34939A offers 64 Form A channels for switching up to 1A and carry currents up to 2A.

The general purpose switches contain latching armature relays where multiple channels can be closed at the same time. Additionally, for switching reactive loads, the optional terminal blocks have pads for snubbing circuits.

The built-in relay counter helps predict when relays need to be replaced.

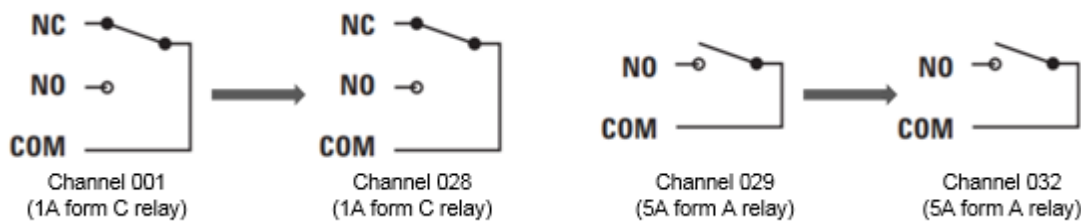


Figure 7. 34937A 32-channel Form A / Form C

| General purpose switch modules | 34967A | 34938A | 34939A |
|--|--|---------------------------|---------------------------|
| Channels/configurations | 28 Form C 4 Form A | 20 Form A | 64 Form A |
| Switch Type | Armature, latching | Armature, latching | Armature, latching |
| Input characteristics (per channel) | | | |
| Max volts (DC, AC RMS) ¹ | Form C – 300 V Form A – 30 VDC/250 VAC | 30 VDC/250 VAC | +/- 100 V peak |
| Max current (DC, AC RMS) | Form C – 1 A (2 A carry) Form A – 5 A switch (8 A carry) | 5 A switch (8 A carry) | 1 A switch (2 A carry) |
| Power (W, VA) ² | Form C – 60 W Form A – 150 W | 150 W | 60 W |
| Volt-Hertz limit | 10 ⁸ | 10 ⁸ | 10 ⁸ |
| General specifications | | | |
| Offset voltage | 3 μV | 3 μV | 3 μV |
| Initial closed channel resistance | Form C – 125 mΩ Form A – 50 mΩ | < 60 mΩ | < 125 mΩ |
| CD isolation (ch-ch, ch-earth) | > 10 GΩ | > 10 GΩ | 10 GΩ |

| AC characteristics | | | |
|--|--|-------------------|---------------|
| Bandwidth at terminal block ³ | 10 MHz | 1 MHz | 10 MHz |
| Channel isolation at terminal block ³ | | | |
| 100 kHz | | | |
| 1 MHz | 55 dB | 60 dB | 45 dB |
| 10 MHz | 35 dB | 40 dB | 25 dB |
| | 15 dB | | 5 dB |
| Capacitance at terminal block | | | |
| CH - CH | | | |
| CH - earth | Form C 12 pF, Form A 10 pF | 65 pF | 20 pF |
| | Form C 21 pF, Form A 18 pF | 105 pF | 70 pF |
| General characteristics | | | |
| Relay life no-load/rated | Form C – 100 M/100 k Form A – 50 M/30 k | 50 M/30 k | > 100 M/100 k |
| Open/close time | Form C – 4 ms/4 ms Form A – 10 ms/10ms | 10 ms/10ms | 4 ms/4ms |
| Initial/reset relay state | Form C- maintain state Form A – user configurable | User configurable | Maintain |
| Analog bus backplane connection | No | No | No |

1. DC or AC RMS voltage, channel-to-channel or channel-to-earth
2. Limited to 6 W of channel resistance power loss per module
3. 50 Ω source, 50 Ω load, differential measurements verified (S21)

34980A RF and microwave switch modules

The 34980A offers a variety of RF and microwave switch modules—RF multiplexers, SPDT switching from DC to 26.5 GHz, or a switch/attenuator driver module that allows you to control switches or attenuators external to the 34980A mainframe.

34941A/42A—from DC to 3 GHz

The RF switch modules can be used to switch signals from DC to 3 GHz and above. This can be useful for switching signals between oscilloscopes, spectrum analyzers, network analyzers, and other RF test equipment.

Choose from the following features:

- 50- or 75-ohm Quad 4-channel multiplexers
- DC to 3 GHz
- 30 V, 0.5 A, 10 W

The 34941A and 34942A are configured as four independent 1x4 RF multiplexers on a single module. Multiple banks can be connected together to create a larger multiplexer. To prevent ground loops, individual multiplexers are isolated from each other and from the mainframe's chassis. However, the multiplexer channels can be chassis grounded with a simple change. Both 50-ohm and 75-ohm versions are available.

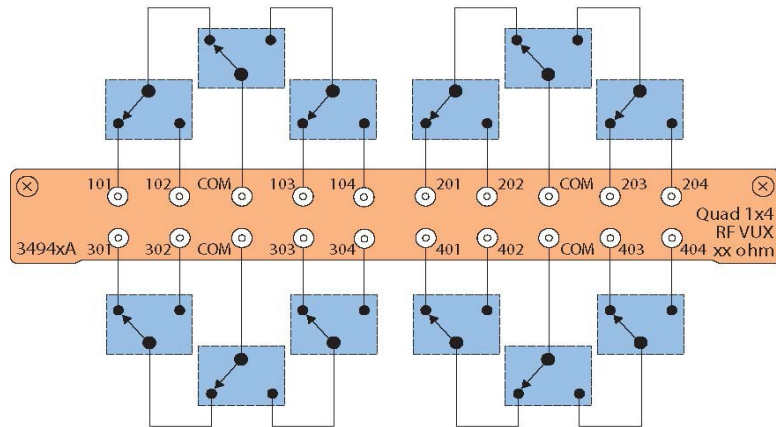


Figure 8. 34941A Quad 1x4 50 ohm 3 GHz multiplexer

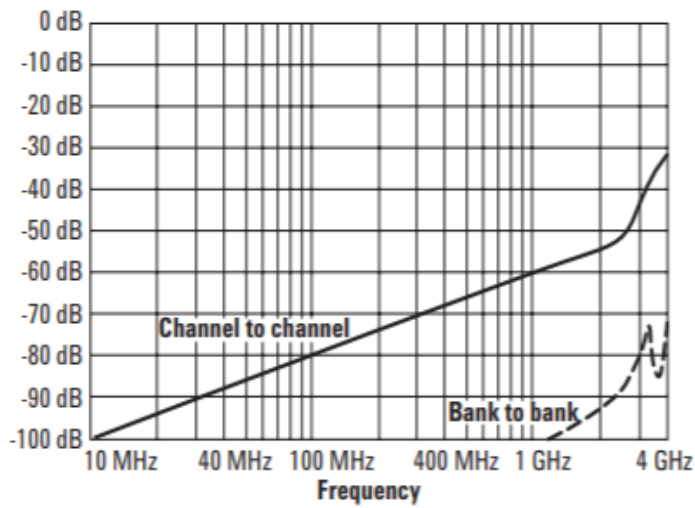


Figure 9. 34941A typical initial crosstalk

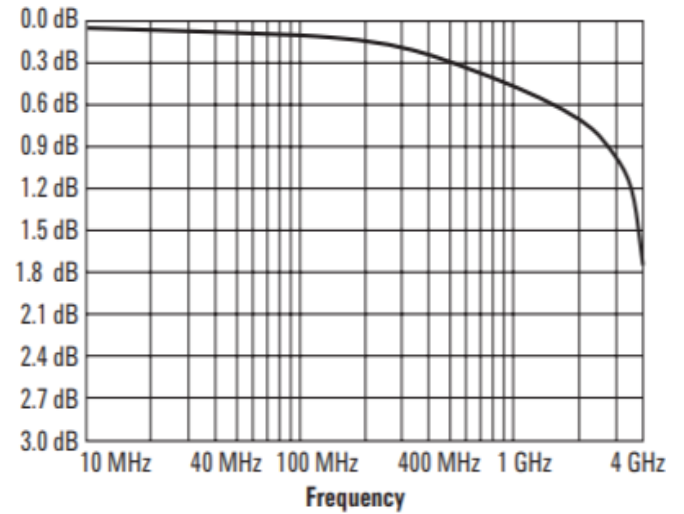


Figure 10. 34941A typical initial insertion loss

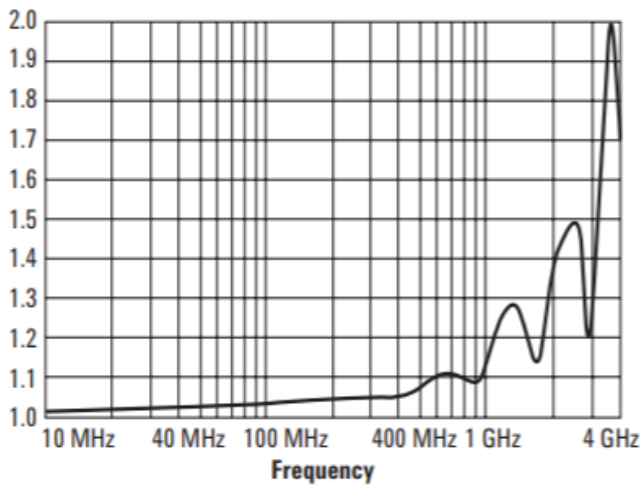


Figure 11. 34941A typical initial VSWR

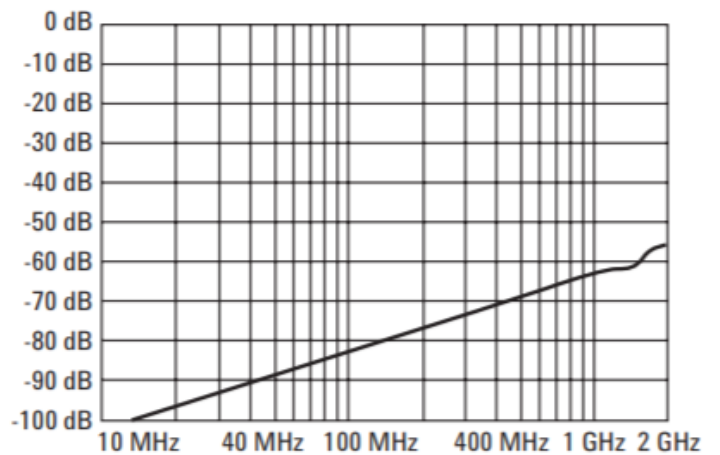


Figure 12. 34942A typical initial crosstalk

34946A/47A—from DC to 26.5 GHz

For applications where you need only a few high-frequency switches, the 34946A and 34947A offer single-pole, double-throw switches in either 4GHz, 20GHz or 26.5GHz options. These modules internally mount two or three independent Keysight N1810 series coaxial switches. These switches are well known for their excellent insertion loss, isolation and VSWR specifications.

Switch read back capabilities allow you to query the position of the switch. You can choose higher density with the unterminated switches or select the terminated switches to maintain impedance match.

34946A/47A option 001

These modules can also be ordered without switches installed. This give you the capability to install your own N1810 series switches or use the module to control the N1810 Series switches outside the mainframe.

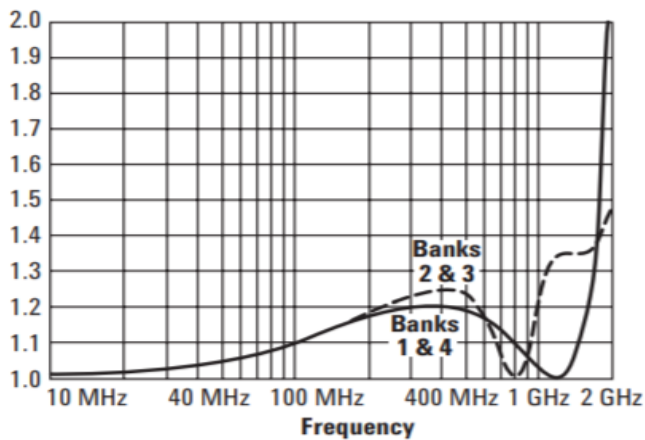


Figure 13. 34942A typical initial VSWR

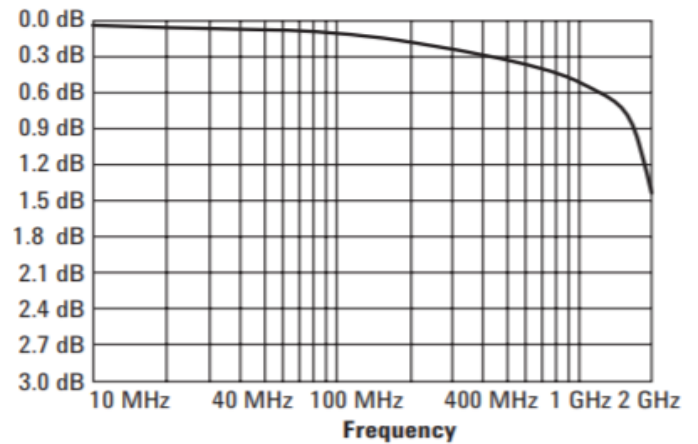


Figure 14. 34942 typical initial insertion loss

| N1810 minimum required switch options | Option | Comment |
|---------------------------------------|------------|------------------------------|
| Coil Voltage | option 124 | 24 VDC coil |
| DC Connector | option 201 | D" subminiature 9 pin female |
| Drive | option 402 | Position indicators |

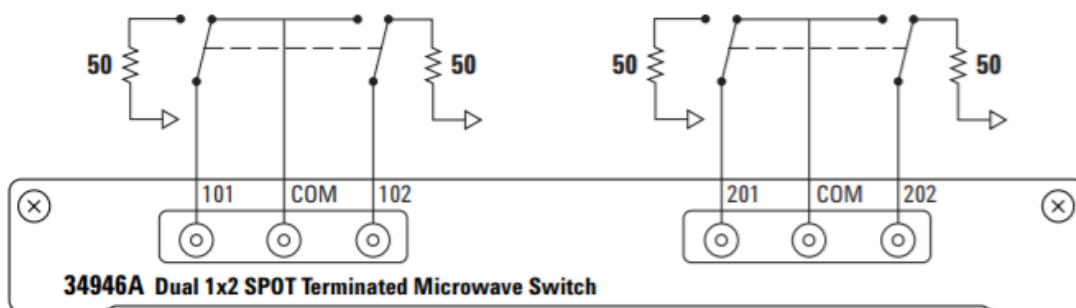


Figure 15. 34946A dual 1x2 SPDT terminated microwave switch

| | DC to 3 GHz | | DC to 26.5 GHz ³ | |
|--|--|--|--|--|
| | 34941A | 34942A | 34946A | 34947A |
| Channels | quad 1x4 | quad 1x4 | 2 SPDT | 3 SPDT |
| Switch Type | 50 Ω unterminated, latching relays | 75 Ω unterminated, latching relays | 50 Ω terminated | 50 Ω unterminated |
| RF characteristics | | | | |
| Frequency range ² | DC to 3 GHz | DC to 1.5 GHz | DC to 4 GHz, 20 GHz or 26.5 GHz | DC to 4 GHz, 20 GHz or 26.5 GHz |
| Insertion loss ² < 40C/80% RH) | | | DC to 4 GHz < 0.42 dB, @ 20 GHz < 0.69 dB, @ 26.5 GHz < 0.8 dB | DC to 4 GHz < 0.42 dB, @ 20 GHz < 0.69 dB, @ 26.5 GHz < 0.8 dB |
| 100 MHz | 0.15 dB | 0.15 dB | | |
| 1 GHz | 0.60 dB | 0.60 dB | | |
| 3 GHz | 1.40 dB | N/A | | |
| VSWR | | | DC to 4 GHz < 1.15, @ 20 GHz < 1.30, @ 26.5GHz < 1.6 | DC to 4 GHz < 1.15, @ 20 GHz < 1.30, @ 26.5GHz < 1.6 |
| 100 MHz | 1.03 | 1.15 | | |
| 1 GHz | 1.25 | 1.35 | | |
| 3 GHz | 1.55 | N/A | | |
| Isolation (dB) ² | Contact factory | Contact factory | DC to 4 GHz > 85 dB, @ 20 GHz > 67 dB, @ 26.5 GHz > 60 dB | DC to 4 GHz > 85 dB, @ 20 GHz > 67 dB, @ 26.5 GHz > 60 dB |
| 100 MHz | 80 dB | 80 dB | | |
| 1 GHz | 58 dB | 60 dB | | |
| 3 GHz | 40 dB | N/A | | |
| Spurious noise below 1.3 GHz | -140 dBm | -140 dBm | 80 dB | 80 dB |
| Rise time | < 80 ps | < 160 ps | N/A | N/A |
| Signal delay | < 1 ns | < 1 ns | N/A | N/A |
| Capacitance | < 30 pF | < 30 pF | N/A | N/A |
| Switching characteristics | | | | |
| Max volts ¹ | 30 V | 30 V | 7 VDC | 7 VDC |
| Max current | 0.5 A | 0.5 A | N/A | N/A |
| Max power | 10 W ⁵ | 10 W ⁵ | 1 W@7 VDC, 50 W peak ⁴ | 1 W@7 VDC, 50 W peak ⁴ |
| Offset voltage | 10 μV | 10 μV | N/A | N/A |
| Initial channel resistance | 1 Ω | 1 Ω | N/A | N/A |
| Volt-Hertz limit | 2 x 10 ¹⁰ | 2 x 10 ¹⁰ | | |
| General characteristics | | | | |
| Relay life | 300,000 at 30 V/10 mA load; 100,000 at 10 W load RF SAmeas | 300,000 at 30 V/10 mA load; 100,000 at 10 W load RF SAmeas | > 5 M cycles | > 5 M cycles |
| Open/close time | 18 ms/18 ms | 18 ms/18 ms | < 15 ms/15 ms | < 15 ms/15 ms |
| Connector type | Female SMA | Mini 75 Ω SMB | Female SMA | Female SMA |
| Coil voltage | N/A | N/A | 24 VDC | 24 VDC |
| Analog bus backplane connection | No | No | No | No |

1. Channel-to-earth

2. 50 Ω source, 50 Ω load (75 Ω for 34942A)

3. For more detailed switch specifications, see the Keysight N1810TL, N1811TL, N1812UL for 34946A and N1810UL for the 34947A.

4. 10 usec maximum duration

5. Max power is 1 W between 30 MHz and 1 GHz for CISPR 11 compliance

34945A/34945EXT microwave switch/attenuator driver

This module allows you to control switches attenuators, and other devices external to the 34980A. The 34945A/34945EXT provides the power and control signals for many of the most popular microwave switches and attenuators. One 34945A/34945EXT combination can drive up to 64 switch coils—that's 32 standard SPDT switches. The 34945A/EXT can be extended by adding additional 34945EXT boards. The first 34945EXT is powered by the mainframe. You can add up to seven additional 34945EXT boards with user supplied power. Multiple switch operations are performed in sequential order, or for faster, simultaneous switching, you can connect an external power supply to the 34945EXT.

The Y1150A-Y1155A distribution boards enable simple connections to the external switches. The distribution boards plug onto the 34945EXT and are used to route the power and control signals from the driver module to the switches using standard cables.

The 34945A/34945EXT also has sensing capabilities that allows read back of the actual position of the switch or attenuator. Drive signals for LED indicators are also provided to give a visual indication of the switch position.

The following microwave switches and attenuators are supported with the Y1150AY1155A distribution boards:

- N181x/U9397x series SPDT switches
- 8762/3/4 series SPDT switches (screw terminals)
- 8765x coaxial switches
- 8766x/8767x/8768x multiport switches
- 87104x/106x/L710xx/L720xx multiport switches
- 87406x series matrix switches
- 87204x/206x series multiport switches
- 87606x series matrix switches
- 87222x/L7222 transfer switches
- 849x and 8490x series attenuators
- Other switches and devices through individual screw terminal connections

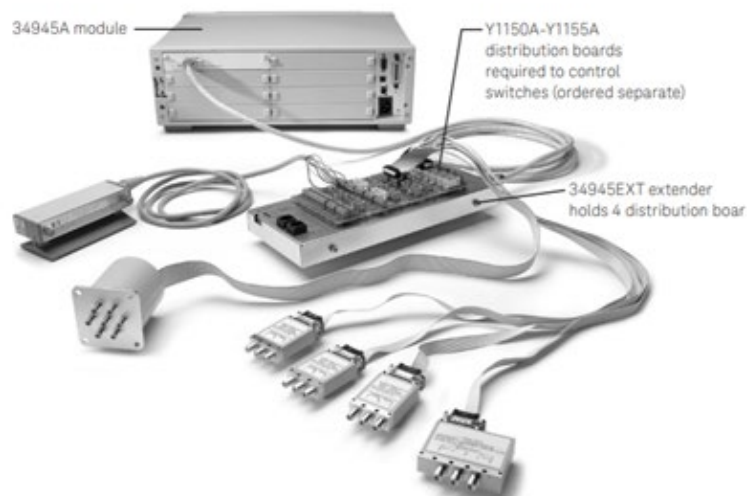


Figure 16. 34945A/34945EXT

34945EXT switch drive (64 channels, low side drive mode)**General specifications**

| | |
|----------------------------|----------------|
| Driver off voltage (max) | 30 V |
| Driver off leakage current | 500 μ A |
| Driver on current (max) | 600 mA |
| Driver on voltage (max) | 0.5 V @ 600 mA |

34945EXT switch drive (64 channels, TTL drive mode)

| | |
|-------------------|--------------------------|
| Hi output voltage | 3 V @ $I_{out} = 2$ mA |
| Lo output voltage | 0.4 V @ $I_{in} = 20$ mA |
| Lo input Current | 20 mA |

34945EXT position indicator sense inputs

| | |
|------------------------|--|
| Channels | 64 |
| Lo input voltage (max) | 0.8 V |
| Hi input voltage (min) | 2.5 V |
| Input resistance | > 100 k Ω @ $V_{in} \leq 5$ V > 20 k Ω @ $V_{in} > 5$ V |
| Maximum input voltage | 30 V |

34945EXT switch drive power supply (34945EXT powered by 34945A)

| | |
|---------|---|
| Voltage | 24 V nominal (external power supply required for switches needing more than 24 V) |
| Current | 100 mA continuous + 200 mA (15 msec pulse, 25% duty cycle) |

34945EXT external power connection

| | |
|---------------|----------------|
| Voltage range | 4.75 V to 30 V |
| Current limit | 2 A |

LED indicator (Current mode drivers)

| | |
|---------------------------|------------------------------|
| Channels | 64 |
| Supply voltage | 5 V nominal |
| LED drive current | 5 mA nominal, (prog 1-20 mA) |
| Driver compliance voltage | 0.8 V |

34945EXT dimensions

11.2" x 4.5" x 1.5" high with distribution boards installed

Maximum of eight 34945EXT's per mainframe

Switch drive control also available in L4445A and L4490A/91A RF Switch Platform.

NOTE: See Configuration Guide, "34945A, L4445A, L4490A/L4491A" literature number 5989-2272EN, for configuration details.

34980A system control modules

34950A 64-bit digital I/O with memory and counter

This module can be used to simulate or detect digital patterns. It has eight 8-bit digital I/O channels with handshaking, pattern memory, two 10 MHz counters with gate functions, and a programmable clock output.

Digital input/output

The digital I/O bits are organized into two banks of 32-bits. The I/O bits can be configured and programmed as inputs or outputs in 8-bit channels. The digital outputs can be configured as active drive or open drain outputs with a 10 k Ω pull up. User supplied pull up resistors for up to 5 V outputs are also acceptable. The digital inputs have programmable thresholds up to 5 V for compatibility with most digital logic standards.

The onboard pattern memory can be used to select and output digital stimulus or bit- stream patterns, or to capture external digital data. Each bank has independent memory and directional control so that one bank can output data while the other captures data. The memory can be divided up to 64 Kbytes per 8-bit channel.

Specifically, the digital I/O channels also have:

- Variable active high drive output from 1.65 V to 5 V or open drain
- Variable input thresholds from 0 V to 5 V
- Configurable handshaking protocols including synchronous, and strobe
- Programmable polarity
- Source or sink up to 24 mA with a I_{max} of 400 mA per module.
- Internal alarming for maskable pattern match
- 1 hardware pattern interrupt per bank
- Connections via standard 78-pin Dsub cables or detachable terminal block

Frequency counter/totalizer

The two channels can be used to count digital events, frequency, period, duty cycle, totalize, and pulse width. The counter/totalizer also includes:

- Programmable gate functionality
- Programmable input thresholds levels 0 V to 3 V

34950A 64 bit I/O

Digital input/output characteristics

| | |
|-----------------------------|--|
| Number of channels | Eight 8 bit. Input or output, non-isolated |
| V_{in} | 0 V – 5 V ¹ |
| V_{out} | 1.65 V – 5 V ^{1,2} |
| I_{out} | (max) 24 mA ² |
| Frequency (max) | 10 MHz ³ |
| I_{load} (max) | 400 mA |
| $t_{rise} + t_{fall}$ (typ) | 6 ns ⁵ |

Handshake lines

| | |
|-----------------|-----------------------------|
| V_{in} | 0 V – 5 V |
| V_{out} | 1.65 V – 5 V ^{2,4} |
| I_{out} (max) | 24 mA ² |
| Frequency (max) | 10 MHz |

| Counter function characteristics | |
|--|---|
| Max frequency | 10 MHz (max) 50% duty cycle |
| V _{in} | 0 V to 5 V |
| Min rise/fall time | 5 μsec |
| Totalizer function characteristics | |
| Maximum count | 2 ³² -1 (4,294,967,296) |
| Maximum input frequency | 10 MHz (max), rising or falling edge, programmable |
| V _{in} | 0 V – 5 V |
| Gate input | 0 V – 5 V |
| Maximum input frequency | 5 μsec |
| System clock generator characteristics | |
| Frequency | 20 MHz – 10 Hz, configurable divide by-n 24-bits, programmable on/off |
| V _{out} | 1.65 V – 5 V ² |
| I _{out} (max) | 24 mA ² |
| Accuracy | 100 ppm |

1. Configurable by 8-bit channel
2. Lower current drive at lower voltages
3. From memory with handshaking
4. Configurable by bank
5. 5V, 50 pF load

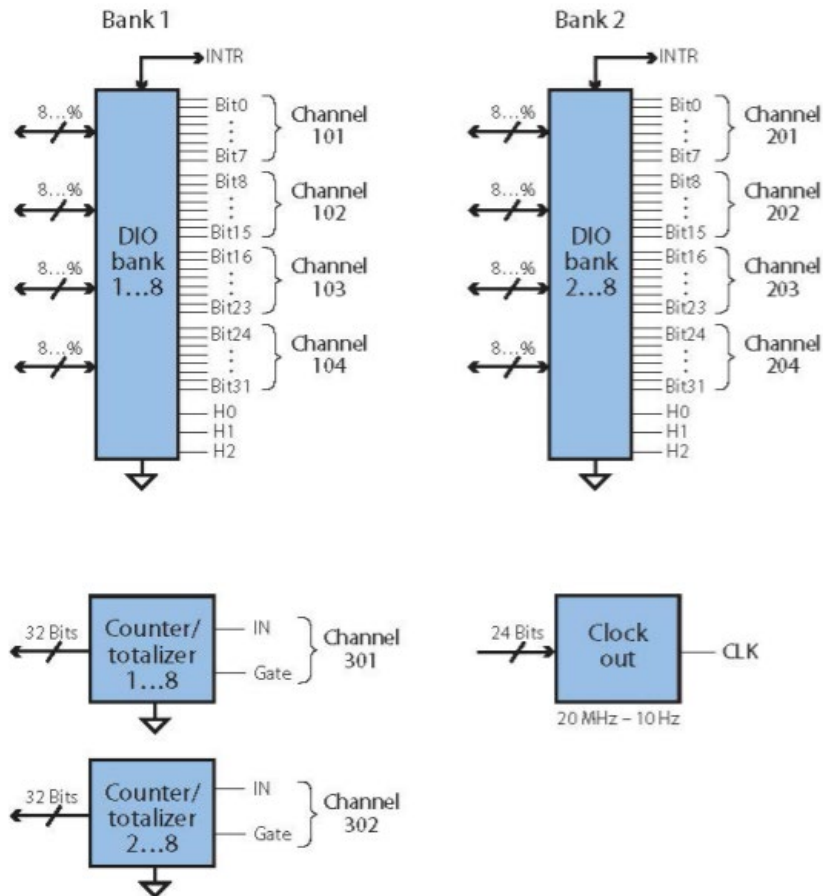


Figure 17. 34950A 64-channel digital I/O

34951A 4-channel isolated D/A converter with waveform memory

This module has four independent, isolated channels that output DC voltage up to ± 16 V or DC current up to ± 20 mA. The gain and offset can be adjusted on-the-fly.

Each channel can be controlled manually, or use the onboard memory to download a waveform. The 500k of memory is global and can store up to 32 waveforms. Any waveform can be dynamically allocated among one or more channels and output as a point-to-point arbitrary waveform generator at up to 200k points/sec. You can use the standard sine, square or ramp wave shapes provided or define your own wave shape using over 500k points and output to a device under test. There is also a single CLK that can be divided down for each channel independently. The calibration command connects the D/A converters to the internal DMM to be automatically calibrated. Connections to the module can be made via standard 50-pin Dsub, cables, or a detachable terminal block.

| 34951A 4 channel D/A | |
|--------------------------------|---|
| General specifications | |
| Maximum update rate | 200 kHz point-to-point |
| Monotonic | To 16 bits |
| Isolation | > 80 VDC/AC peak (chan-to-chassis or chan-to-chan) |
| Synchronization | Software commands or external trigger |
| Internal/external CLK accuracy | 100 ppm |
| AC accuracy | Not specified |
| DC voltage | |
| Amplitude | ± 16 V up to 10 mA |
| Resolution | 16 bits = 500 μ V |
| Amplitude accuracy | $\pm (0.05\% + 3.0$ mV) (90 days, Tcal ± 5 °C or Cal:MOD?: ± 5 °C) |
| Ripple and noise | < 2 mVrms, 20 Hz to 250 kHz into 10 k Ω load |
| Settling time | 40 μ S (-full scale to +full scale step, single channel, to rated accuracy) |
| Output impedance | < 1 Ω with the load sensed |
| DC current | |
| Range | ± 20 mA |
| Resolution | 16-bit = 630 nA |
| Accuracy | $\pm (0.09\% + 5.0$ μ A) (90 days, Tcal ± 5 °C or Cal:MOD?: ± 5 °C) |
| Ripple and noise | < 2 μ Arms, 20 Hz to 250 kHz into 250 Ω |
| Compliance voltage | ± 12 V |
| Maximum open circuit voltage | < ± 22 V |
| Trigger input | |
| Input level | TTL compatible (3.3 V logic, 5 V tolerant) |
| Slope | Rising or falling, selectable |
| Pulse width | > 100 ns |
| Input impedance | > 10 k Ω , DC coupled |
| Trigger output | |
| Level | TTL compatible into 1 k Ω (3.3 V logic) |
| Output impedance | 50 Ω typical |
| Clock input | |
| Input level | TTL compatible into 1 k Ω (3.3 V logic) |
| Input impedance | 50 Ω typical |
| Maximum rate | 10 MHz |
| Clock output | |
| Level | TTL compatible into 1 k Ω (3.3 V logic) |
| Output impedance | 50 Ω typical |
| Maximum rate | 10 MHz |
| Accuracy | ± 100 ppm |

34952A multifunction module with 32-bit DIO, 2-channel D/A and totalizer

The multifunction module offers the flexibility you need for system control. The 34952A has four 8-bit digital I/O channels, a 100 kHz gated totalizer, and two ± 12 V analog outputs—all on a single earth-referenced module. The digital inputs and totalizer input may be included in a scan list. Alarm limits for the digital and totalizer inputs are evaluated continuously, capturing and logging alarm conditions even between scans. Connections can be made via standard 50-pin Dsub cables or detachable terminal block. The 34952T terminal block has a pinout for connection to an external Opto 22 board

| 34952A multifunction module | |
|---|---|
| Digital input/output characteristics | |
| Channels | Four 8-bit channels, 8 bits wide, input or output, non – isolated |
| Vin(L) | < 0.8 V (TTL) |
| Vin(H) | > 2.0 V (TTL) |
| Vout(L) | < 0.8 V @ Iout = -400 mA per output |
| Vout(H) | > 2.4 V @ Iout = 1 mA |
| Vin(H) max | < 42 V with external open drain pull-up |
| Alarm | Maskable pattern match or state change |
| Speed | 4 ms (max) alarm sampling |
| Latency | 5 ms (typical) to 34980A alarm output |
| Read/write speed | 95/s |
| Totalize input characteristics | |
| Max count | $2^{26}-1$ |
| Totalize input | 100 kHz (max) rising or falling edge, programmable |
| Signal level | 1 Vp-p (min) 42 Vpk (max) |
| Threshold | 0 V or TTL |
| Gate input | TTL-Hi, TTL-Lo, or none |
| Count reset | Manual or read + reset |
| Read speed | 85 rds/s |
| Analog output characteristics | |
| DAC 1,2 | ± 12 V, non-isolated |
| Resolution | 1 mV |
| IOUT | 10 mA max |
| Settling time | 1 ms to 0.01% of output |
| Accuracy 1 year | \pm (% of output + mV) (0.25% + 20 mV) |
| Temp. coefficient | \pm (0.015% + 1 mV)/ $^{\circ}$ C |



Figure 18. 34952A multifunction module

34959A breadboard module

Use this module to create your own custom designs inside the 34980A mainframe. You can control your custom circuits with access to both the +12 V and +5 V supplies, 28 relay drive lines and two 8-bit GPIO ports. Your design can be isolated from the analog buses or connected by loading the backplane switches. Simply mount your custom PC board or other components into the space provided and connect via the two ribbon connectors provided. The module is provided with two 50- or 78-pin Dsub connector openings. For custom connections, use the detachable flat faceplates for easy modification. You can program your circuitry using standard read and write commands in SCPI.

| 34959A breadboard module | |
|--------------------------------------|-------------------------------------|
| General specifications | |
| Max module power dissipation | 6 W |
| Power available: | |
| 12 V regulation no load to full load | 10% |
| 5 V regulation no load to full load | 5% |
| Max power from 12 V | 6 W |
| Max power from 5V | 1 W |
| Relay drives | |
| Channels | 28, sink up to 100 mA |
| Max Input Voltage | 42 V |
| Leakage Current | 8 μ A |
| GPIO ports | |
| Chan 1 and Chan 2 | 8 configure bits as input or output |
| Chan 3 | 3 output bits |
| High input | 2 V min, 5.5 V max |
| Low input | 0 V min, 0.8 V max |
| High output | 2.4 V @ 4 mA, 3 V @ 500 μ A |
| Low output | 0.4 V @ 8 mA |

Available space for internal board/components: 5.4 x 7.5 x either 0.9 inches height without PC board, or 0.7 inches high with PC board.

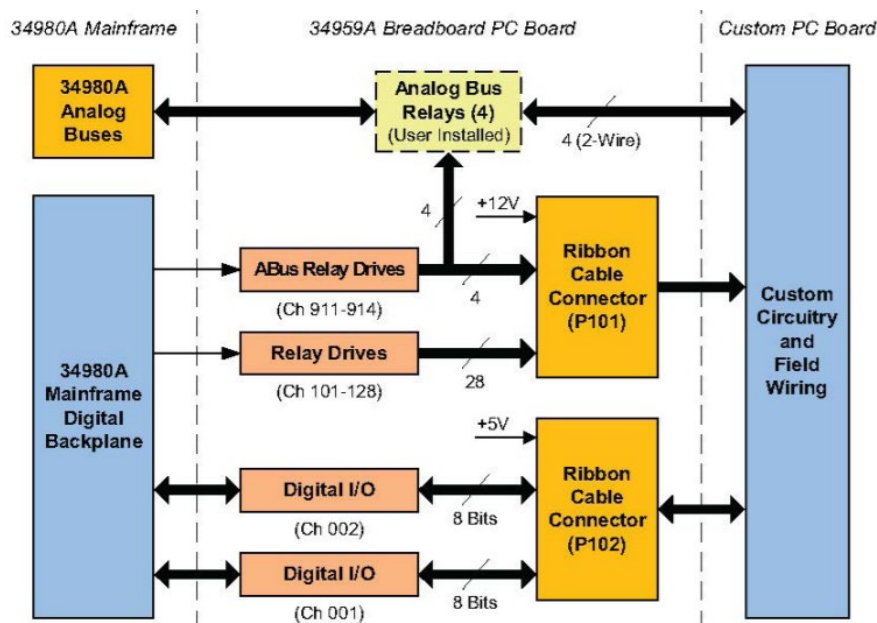


Figure 19. 34959A breadboard module

34980A system specifications and characteristics

DMM accuracy \pm (% of reading + % of range)

Includes measurement error, switching error, and transducer conversion error ¹.

| Range ⁴ , Frequency, etc. | 24 hour ^{2,3} Tcal \pm 1°C | 90 days Tcal \pm 5°C | 1 year Tcal \pm 5°C | Temperature coefficient/ ^o C >Tcal \pm 5°C |
|---|--|---------------------------|--------------------------|---|
| DC voltage (with 34921A / 22A / 31A / 32A)^{10,11} | | | | |
| Input impedance = Hi-Z | | | | |
| 10 V range and below | | | | |
| 100.0000 mV | 0.0030 + 0.0035 | 0.0040 + 0.0040 | 0.0050 + 0.0040 | 0.0005 + 0.0005 |
| 1.000000 V | 0.0020 + 0.0006 | 0.0030 + 0.0007 | 0.0040 + 0.0007 | 0.0005 + 0.0001 |
| 10.00000 V | 0.0015 + 0.0004 | 0.0020 + 0.0005 | 0.0035 + 0.0005 | 0.0005 + 0.0001 |
| 100.0000 V | 0.003 + 0.0006 | 0.0045 + 0.0006 | 0.0055 + 0.0006 | 0.0005 + 0.0001 |
| 300.0000 V | 0.003 + 0.0020 | 0.0045 + 0.0030 | 0.0055 + 0.0030 | 0.0005 + 0.0003 |
| True RMS AC voltage ⁵ | | | | |
| All ranges from 100.0000 mV to 100.0000 V | | | | |
| 3 Hz-5 Hz | 1.00 + 0.03 | 1.00 + 0.04 | 1.00 + 0.04 | 0.100 + 0.004 |
| 5 Hz-10 Hz | 0.35 + 0.03 | 0.35 + 0.04 | 0.35 + 0.04 | 0.035 + 0.004 |
| 10 Hz-20 kHz | 0.04 + 0.03 | 0.05 + 0.04 | 0.06 + 0.04 | 0.005 + 0.004 |
| 20 kHz-50 kHz | 0.10 + 0.05 | 0.11 + 0.05 | 0.12 + 0.05 | 0.011 + 0.005 |
| 50 kHz-100 kHz | 0.55 + 0.08 | 0.60 + 0.08 | 0.60 + 0.08 | 0.060 + 0.008 |
| 100 kHz-300 kHz ⁶ | 4.00 + 0.50 | 4.00 + 0.50 | 4.00 + 0.50 | 0.20 + 0.02 |
| True RMS AC voltage ⁵ | | | | |
| 300.0000 V range | | | | |
| 3 Hz-5 Hz | 1.00 + 0.05 | 1.00 + 0.08 | 1.00 + 0.08 | 0.100 + 0.008 |
| 5 Hz-10 Hz | 0.35 + 0.05 | 0.35 + 0.08 | 0.35 + 0.08 | 0.035 + 0.008 |
| 10 Hz-20 kHz | 0.04 + 0.05 | 0.05 + 0.08 | 0.06 + 0.08 | 0.005 + 0.008 |
| 20 kHz-50 kHz | 0.10 + 0.10 | 0.11 + 0.12 | 0.12 + 0.12 | 0.011 + 0.012 |
| 50 kHz-100 kHz | 0.55 + 0.20 | 0.60 + 0.20 | 0.60 + 0.20 | 0.060 + 0.020 |
| 100 kHz-300 kHz ⁶ | 4.00 + 1.25 | 4.00 + 1.25 | 4.00 + 1.25 | 0.20 + 0.05 |
| Resistance ⁷ | | | | |
| 100.0000 Ω , 1 mA | 0.0030 + 0.0035 | 0.008 + 0.004 | 0.010 + 0.004 | 0.0006 + 0.0005 0.0006 |
| 1.000000 k Ω , 1 mA | 0.0020 + 0.0006 | 0.008 + 0.001 | 0.010 + 0.001 | + 0.0001 0.0006 + |
| 10.00000 k Ω , 100 μ A | 0.0020 + 0.0005 | 0.008 + 0.001 | 0.010 + 0.001 | 0.0001 0.0006 + 0.0001 |
| 100.0000 k Ω , 10 μ A | 0.0020 + 0.0005 | 0.008 + 0.001 | 0.010 + 0.001 | 0.0010 + 0.0002 0.0030 |
| 1.000000 M Ω , 5.0 μ A | 0.002 + 0.001 | 0.008 + 0.001 | 0.010 + 0.001 | + 0.0004 0.1500 + |
| 10.00000 M Ω , 500 nA | 0.015 + 0.001 | 0.020 + 0.001 | 0.040 + 0.001 | 0.0002 |
| 100.0000 M Ω , 500 nA / 10 M Ω | 0.300 + 0.010 | 0.800 + 0.010 | 0.800 + 0.010 | |
| Frequency and period ⁸ | | | | |
| 100 mV to 300V range: | | | | |
| 3 Hz-5 Hz | 0.10 | 0.10 | 0.10 | 0.005 |
| 5 Hz-10 Hz | 0.05 | 0.05 | 0.05 | 0.005 |
| 10 Hz-40 Hz | 0.03 | 0.03 | 0.03 | 0.001 |
| 40 Hz-300 kHz | 0.006 | 0.01 | 0.01 | 0.001 |
| DC current (34921A only) | | | | |
| 10.00000 mA, < 0.1V, burden typ | 0.005 + 0.010 | 0.030 + 0.020 | 0.050 + 0.020 | 0.002 + 0.0020 0.002 + |
| 100.0000 mA, < 0.6V | 0.010 + 0.004 | 0.030 + 0.005 | 0.050 + 0.005 | 0.0005 0.005 + 0.0010 |
| 1.000000 A, < 2 V | 0.050 + 0.006 | 0.080 + 0.010 | 0.100 + 0.010 | |
| True RMS AC current (34921A only) | | | | |
| 10.00000 mA and ⁵ 1.0 A | | | | |
| 3 Hz-5 Hz | 1.00 + 0.04 | 1.00 + 0.04 | 1.00 + 0.04 | 0.100 + 0.006 |
| 5 Hz-10 Hz | 0.30 + 0.04 | 0.30 + 0.04 | 0.30 + 0.04 | 0.035 + 0.006 |
| 10 Hz-5 kHz | 0.10 + 0.04 | 0.10 + 0.04 | 0.10 + 0.04 | 0.015 + 0.006 |
| 100.0000 mA ⁹ | | | | |
| 3 Hz-5 Hz | 1.00 + 0.5 | 1.00 + 0.5 | 1.00 + 0.5 | 0.100 + 0.006 |
| 5 Hz-10 Hz | 0.30 + 0.5 | 0.30 + 0.5 | 0.30 + 0.5 | 0.035 + 0.006 |
| 10 Hz-5 kHz | 0.10 + 0.5 | 0.10 + 0.5 | 0.10 + 0.5 | 0.015 + 0.006 |

1. One hour warm-up and a fixed configuration with slow AC filter, sine wave input, and 6½ digits. Temperature within ± 5°C of temperature at calibration (Tcal between 18-28°C)
2. 90 minute warm-up and a fixed configuration and 6½ digits. Temperature within ± 1°C of temperature at calibration (Tcal between 18-28°C)
3. Relative to calibration standards
4. 20% over range on all ranges except 300VDC and AC ranges and 1 ADC and AC current ranges
5. For sine wave input > 5% of range; for inputs from 1% to 5% of range and < 50 kHz add 0.1% of range additional error; for AC filter slow
6. Typically, 30% of reading error at 1 MHz, limited to 1 x 108 volt-hertz
7. Accuracy for 4-wire ohms. Add 4 ohms uncertainty (typical) for 2-wire ohms function due to conductor and contact resistance variability in the DMM. The 2-wire resistance accuracy can be improved by measuring a short on each channel and using the built-in $y = Mx + b$ scaling function. See User Guide, Chapter 3. The series resistance of the 34923/24/25/33/34 limits the use of the 100 ohms resistance range. Keysight recommends the use of 4-wire ohms for resistance measurements. For high accuracy voltage measurements, select the DMM input resistance setting of > 10 G ohms to minimize the impact of relay contact resistance.
8. For inputs >100 mV; for inputs 10 mV to 100 mV multiply % of reading error X 10; for 1 sec aperture (6 1/2 digits)
9. Specified only for inputs > 10 mA. For AC filter slow
10. Add 50 uV error for 34923A/24A/33A and 7 uV error for the 34925A
11. Voltage measurements using Fixed-Z input impedance for the 100 V and 300 V ranges.

Additional low frequency error for ACV, ACI (% of reading)

| Frequency | AC Filter Slow | AC Filter Medium | AC Filter Fast |
|----------------|----------------|------------------|----------------|
| 10 Hz – 20 Hz | 0 | 0.74 | - |
| 20 Hz – 40 Hz | 0 | 0.22 | - |
| 40 Hz – 100 Hz | 0 | 0.06 | 0.73 |
| 100 Hz -200 Hz | 0 | 0.01 | 0.22 |
| 200 Hz – 1 kHz | 0 | 0 | 0.18 |
| > 1 kHz | 0 | 0 | 0 |

Additional error for frequency, Period (% of reading)

| Frequency | Aperture (Digits) | | |
|-----------------|-------------------------|----------------------------|--------------------------|
| | 1 second (6½ digits) | 0.1 seconds (5½ digits) | 0.01 seconds (4½ digits) |
| 3 Hz – 5 Hz | 0 | 0.12 | 0.12 |
| 5 Hz – 10 Hz | 0 | 0.17 | 0.17 |
| 10 Hz – 40 Hz | 0 | 0.2 | 0.2 |
| 40 Hz – 100 Hz | 0 | 0.06 | 0.21 |
| 100 Hz – 300 Hz | 0 | 0.03 | 0.21 |
| 300 Hz – 1 kHz | 0 | 0.01 | 0.07 |
| > 1 kHz | 0 | 0 | 0.02 |

Temperature measurement accuracy

| Temperature 1-year accuracy | Type | Best Range ¹ | | Extended Range ¹ | | Temperature coefficient/°C |
|---|------------------------------------|-------------------------|--------------------|-----------------------------|---------|----------------------------|
| | | | | | | |
| Thermocouple (34921A only, includes cold junction accuracy on terminal block) | B | 1100 °C to 1820 °C | 1.2 °C | 400 °C to 1100 °C | 1.8 °C | 0.03 °C |
| | E | -150 °C to 1000 °C | 1.0 °C | -200 °C to -150 °C | 1.5 °C | 0.03 °C |
| | J | -150 °C to 1200 °C | 1.0 °C | -210 °C to -150 °C | 1.2 °C | 0.03 °C |
| | K | -100 °C to 1200 °C | 1.0 °C | -200 °C to -100 °C | 1.5 °C | 0.03 °C |
| | N | -100 °C to 1300 °C | 1.0 °C | -200 °C to -100 °C | 1.5 °C | 0.03 °C |
| | R | 300 °C to 1760 °C | 1.2 °C | -50 °C to 300 °C | 1.8 °C | 0.03 °C |
| | S | 400 °C to 1760 °C | 1.2 °C | -50 °C to 400 °C | 1.8 °C | 0.03 °C |
| T | -100 °C to 400 °C | 1.0 °C | -200 °C to -100 °C | 1.5 °C | 0.03 °C | |
| RTD | R ₀ from 49 Ω to 2.1 kΩ | -200 °C to 600 °C | 0.06 °C | | | 0.003 °C |
| Thermistor | 2.2k, 5k, 10k | -80 °C to 150 °C | 0.08 °C | | | 0.002 °C |

1. For total measurement accuracy, add temperature probe error, for < 1 °C accuracy, an external fixed reference is required.

Typical system speeds (measurements made on a 3.2GHz PC running VB6 in Windows XP Pro)

| Single channel reading times in msec | | Direct measurements – direct to I/O (includes switch, measure time and I/O time) | | | Direct measurement to memory(GPIB) |
|---|-----------------|--|--------------|---------------------|------------------------------------|
| Single channel ^{1,2} | | GPIB msec | USB 2.0 msec | LAN (w/VXI 11) msec | Measurement into memory msec |
| Single channel, DCV | | 2.83 | 3.14 | 4.57 | 1.90 |
| Single channel, ACV | | 5.00 | 5.35 | 5.75 | 4.00 |
| Single channel, ohms | | 2.91 | 3.14 | 4.65 | 1.90 |
| Single channel while changing scale (eg MEAS DCV 10 / MEAS DCV 1) | | 9.52 | 10.64 | 11.76 | 8.40 |
| Single channel while changing function (eg. MEAS ACV / MEAS DCV) | | 128 | 120 | 120 | 120 |
| Command execution time ³ | | | | | |
| 34925A | Open or Close | 0.7 | 0.9 | 1.6 | |
| | Read? | 2.9 | 3.3 | 4.7 | |
| | Close/Read/Open | 4.8 | 5.3 | 6.5 | |
| | Init/*WAI | 1.9 | 2.1 | 3 | |
| | Close/Init/Open | 3.7 | 4.1 | 4.7 | |
| 34923A | Open or Close | 0.9 | 1.2 | 1.8 | |
| | Read? | 2.9 | 3.3 | 4.7 | |
| | Close/Read/Open | 5.3 | 5.8 | 6.5 | |
| | Init/*WAI | 1.9 | 2.1 | 3 | |
| | Close/Init/Open | 4.2 | 4.7 | 5.2 | |
| 34921A | Open or Close | 4.7 | 5.3 | 5.3 | |
| | Read? | 2.9 | 3 | 4.7 | |
| | Close/Read/Open | 14 | 15 | 15 | |
| | Init/*WAI | 1.9 | 2.1 | 3 | |
| | Close/Init/Open | 12.4 | 14 | 4 | |
| 34934A | Close | 1.8 | 2.2 | 3.1 | |
| | Read? | 2.8 | 3.1 | 4.8 | |
| | Open | 1.5 | 1.8 | 3.2 | |

1. Readings were made with minimum NPLC, delay 0, display off, autozero off

2. All times include the issue of "READ?" and the retrieval of data

3. CLOSE or OPEN bus transfer times allowed to overlap previous command; command parse times overlap current activity until IO latency dominant.

34934A multi-channel close speeds over GPIB (msec)

| | Isolate for fixed mode | Auto 100 mode | Auto 0 mode |
|-------------------|------------------------|---------------|-------------|
| Close 2 channels | 0.97 | 1.22 | 1.31 |
| Close 5 channels | 0.43 | 0.54 | 0.56 |
| Close 10 channels | 0.22 | 0.28 | 0.29 |
| Close 60 channels | 0.13 | 0.17 | 0.21 |

Single channel measurement rates – DMM reading rates ^{1,2}

| Function | Resolution | Rds/s |
|-------------------|----------------------|-------|
| DCV | 4½ digits (0.02 plc) | 3000 |
| | 5½ digits (1 plc) | 59 |
| | 6½ digits (10 plc) | 6 |
| 2-wire resistance | 4½ digits (0.02 plc) | 2000 |
| | 5½ digits (1 plc) | 58 |
| | 6½ digits (10 plc) | 6 |
| Thermocouple | (0.02 plc) | 1000 |
| | 0.1 °C (1 plc) | 59 |
| RTD/Thermistor | 1°C (0.02 plc) | 1900 |
| | 0.1 °C (1 plc) | 58 |
| | 0.01 °C (10 plc) | 6 |
| ACV | 6½ fast (200Hz) | 350 |

| | | |
|-------------------|----------------------|-----|
| | 6½ med (20Hz) | 350 |
| | 6½ slow (3Hz) | 350 |
| Frequency, period | 4½ digits (10 ms) | 70 |
| | 5½ digits (100 ms) | 9 |
| | 6½ digits (1 s gate) | 1 |

1. Readings speeds for 60Hz; autozero off
2. For fixed function and range, readings to memory, scaling and alarms off, autozero off.

Scanning measurement rates to bus or memory

| Scanning channels ¹ | Direct measurements – direct to I/O (includes switch, measure time and I/O time) | | | Measurement into memory |
|--------------------------------|--|----------------|-----------------------|-------------------------|
| | GPIB ch/sec | USB 2.0 ch/sec | LAN (w VXI 11) ch/sec | Into memory ch/sec |
| Scanning DCV or 2-wire ohms | | | | |
| 34925A | 920 | 860 | 980 | 1000 |
| 34923A/24A | 588 | 572 | 605 | 625 |
| 34921A/22A | 109 | 109 | 109 | 109 |
| Scanning ACV ² | | | | |
| 34925A | 318 | 315 | 323 | 318 |
| 34923A/24A | 260 | 260 | 260 | 260 |
| 34921A/22A | 88 | 88 | 88 | 88 |
| Scanning temperature | | | | |
| 34921A | 109 | 109 | 109 | 109 |
| Scanning digital in 34950A | 660 | 592 | 815 | 1038 |

1. Speeds are for 4 1/2 digits, delay 0, display off, autozero off and scanning is within bank on the same module; add 10ms for between banks or modules for 2-wire measurements; 4-wire measurements are slower
2. Add additional time for filter setting on ACV

Data out of memory to LAN, USB, or GPIB (data transfer rate with 1000 channel blocks)

| | GPIB rds/sec | USB 2.0 rds/sec | LAN (w VXI 11) ¹ rds/sec |
|-------------------------------------|--------------|-----------------|-------------------------------------|
| Readings | 2560 | 2400 | 3542 |
| Readings with timestamp | 1304 | 1230 | 1826 |
| Readings with all format options ON | 980 | 926 | 1361 |

1. LAN large block throughput rate is increased by approximately 30% using LAN sockets

Measurement characteristics with optional internal DMM

Measurement characteristics

| DC voltage | |
|---|--|
| Measurement method | Continuously integrating multi-slope III A-D converter |
| A-D linearity | 0.0002% of reading + 0.0001% of range on 10 V range |
| Input resistance | Selectable 10 M Ω or > 10,000 M Ω 10 M Ω ± 1% |
| 100 mV, 1 V, 10 V ranges 100 V, 300 V ranges | |
| Input bias current | < 50 pA at 25 °C |
| Input protection | 300 V all ranges |
| True RMS AC voltage | |
| Measurement method | AC coupled True RMS—measures the AC component of the input with up to 300 VDC of bias on any range |
| Crest factor | Maximum of 5:1 at full scale |
| Additional crest factor errors (non-sinewave) | Crest factor 1-2 0.05% of reading Crest factor 2-3 0.15% of reading Crest factor 3-4 0.30% of reading Crest factor 4-5 0.40% of reading |
| AC filter bandwidth: | 3 Hz - 300 kHz |
| Slow | |

| | |
|---|--|
| Medium | 20 Hz - 300 kHz |
| Fast | 200 Hz - 300 kHz |
| Input impedance | 1 M Ω \pm 2% in parallel with 150 pF |
| Input protection | 300 Vrms all ranges |
| Resistance | |
| Measurement method | Selectable 4-wire or 2-wire ohms |
| Current source | Referenced to LO input |
| Offset compensation | Selectable on 100 Ω , 1k Ω , 10 k Ω ranges |
| Maximum lead resistance | 10% of range per lead for 100 Ω and 1k Ω ranges. 1k Ω on all other ranges |
| Input protection | 300 V on all ranges |
| Frequency and period | |
| Measurement method | Reciprocal counting technique |
| Voltage ranges | Same as AC voltage function |
| Gate time | 1 s, 100 ms, or 10 ms |
| Measurement timeout | Selectable 3 Hz, 20 Hz, 200 Hz LF limit |
| Measurement consideration (frequency and period): All frequency counters are susceptible to error when measuring low-voltage, low-frequency signals. Shielding inputs from external noise pickup is critical for minimizing measurement errors. | |
| DC current | |
| Shunt resistance | 5 Ω for 10 mA, 100 mA; 0.1 Ω for 1 A |
| Input protection | 1 A 250 V fuse on 34921A module |
| True RMS AC current | |
| Measurement method | Direct coupled to the fuse and shunt. AC coupled True RMS measurement (measures the ac component only) |
| Shunt resistance | 5 Ω for 10 mA; 0.1 Ω for 100 mA, 1 A |
| Input protection | 1 A 250 V fuse on 34921A module |
| Thermocouple | |
| Conversion | ITS-90 software compensation |
| Reference junction type | Internal, fixed, or external |
| Open thermocouple check | Selectable per channel. Open > 5 k Ω |
| Thermistor | 44004, 44007, 44006 series |
| RTD | a = 0.00385 (DIN) and a = 0.00392 |
| Measurement noise rejection 60/50 Hz ¹ | |
| DC CMRR | 140 dB |
| AC CMMR | 70 dB |
| Integration time Normal mode rejection ² | |
| 200 plc/3.33 s (4 s) | 105 dB ³ |
| 100 plc/1.67 s (2 s) | 100 dB ³ |
| 20 plc/333 ms (400 ms) | 95 dB ³ |
| 10 plc/167 ms (200 ms) | 90 dB ³ |
| 2 plc/33.3 ms (40 ms) | 85 dB |
| 1 plc/16.7 ms (20 ms) | 60 dB |
| < 1 plc | 0 dB |

1. For 1 k Ω unbalance in LO lead
2. For power line frequency \pm 0.08%
3. For power line frequency \pm 1% use 75 dB or \pm 2.5% use 60 dB

DC operating characteristics⁴

| Function | Digits ⁵ | Readings / s | Additional RMS noise error |
|---|---------------------|--------------|------------------------------|
| DCV ⁷ , DCI, and Resistance (≤ 10 k Ω) | 6½ | 0.6 (0.5) | 0% of range |
| | 6½ | 6 (5) | 0% of range |
| | 5½ | 60 (50) | 0.001% of range |
| | 5½ | 300 | 0.001% of range ⁶ |
| | 4½ | 600 | 0.01% of range ⁶ |
| | 4½ | 3000 | 0.1% of range ⁶ |

Autozero OFF operation

Following instrument warm-up at calibration temperature ± 1 °C and < 10 minutes, add 0.0002% range additional error +5 μ V. (For 300 VDC, instead of .0002% of range, need .00066% of range)

Settling considerations

Reading settling times are affected by source impedance, low dielectric absorption characteristics, and input signal changes.

| AC operating characteristics ⁸ | Digits ⁹ | Readings / | AC Filter |
|---|---------------------|-------------------|---------------|
| ACV, ACI: | 6½ | 7 sec/reading | Slow (3 Hz) |
| | 6½ | 1 | Medium (20Hz) |
| | 6½ | 8 ¹⁰ | Fast (200 Hz) |
| | 6½ | 100 ¹¹ | Fast (200 Hz) |

4. Reading speeds for 60 Hz and (50 Hz) operation; autozero OFF

5. 6½ digits = 22 bits; 5½ digits = 18 bits; 4½ digits = 15 bits

6. Add 20 μ V for DCV, 4 μ A for DCI, or 20 m Ω for resistance

7. For 300 VDC, multiply the additional noise error by 3.3

8. Maximum reading rates for 0.01% of AC step additional error; additional settling delay required when input DC level varies

9. 6½ digits = 22 bits; 5½ digits = 18 bits; 4½ digits = 15 bits

10. For external trigger or remote operation using default settling delay (Delay Auto)

11. Maximum limit with default settling delays defeated

General Specifications

| System specifications | |
|---------------------------|---|
| Scanning inputs | |
| Analog: | 34921A, 34922A, 34923A, 34924A, and 34925A multiplexer channels |
| Digital | 34950A/52A digital in and totalize |
| Scan triggering | |
| Source | Interval, external, button press software, or on monitor channel alarm |
| Scan count | 1 to 50,000 or continuous |
| Scan Interval | 0 0 99 hours; t ms step size |
| Channel delay | 0 to 60 seconds per channel; 1 ms step size |
| External trig delay | < 2 ms. With monitor on < 200 ms |
| External trig jitter | < 2 ms |
| Alarms | |
| Analog inputs | Hi, Lo, or Hi + Lo evaluated each scan |
| Digital inputs | 34950A/52A digital in maskable pattern match or state change 34950A/52A frequency and totalize: Hi limit only |
| Monitor channel | Alarm evaluated each reading |
| Alarm outputs | 4 TTL compatible. Selectable TTL logic Hi or Lo on fail |
| Latency | 5 ms (typical) |
| Memory | |
| Type | Volatile |
| Readings | 500,000 with timestamp, readable during scan |
| States | 5 instrument states with user label |
| Alarm queue | Up to 20 events with channel number, reading, and timestamp |
| System features | |
| Per-channel | Individual Mx+B scaling and calculated real time min/max/average |
| Power fail recovery | Save switch states |
| Relay maintenance | Counts each relay closure and stores on module. User resettable |
| Real-time clock | Battery-backed, 20-year typical life |
| Line power | |
| Power supply | Universal 100 V to 240 V \pm 10% |
| Power line frequency | 50 – 60 Hz \pm 10% automatically sensed |
| Power consumption | 150 VA |
| Environment | |
| Operating environment | Full accuracy for 0 °C to 55 °C Full accuracy to 80% R.H. at 40 °C IEC 60664-1 pollution degree 1 or 2 . Refer to 34980A User's Guide, Chapter 4, Module Considerations section for the details of Environmental Operating Limits (current and power dissipation) for the Plug-In Modules in Pollution degree 1 or 2 environment. |
| Storage environment | - 40 °C to 70 °C ¹ |
| Mechanical | |
| Mainframe dimensions | 133 H x 426 W x 341 D mm (5.25" x 16.8" x 14") Full rack, 3 units high |
| Mainframe weight | 8.8 kg (19.6 lbs) |
| Module dimensions | 280 H x 170 W x 27 D mm (11" x 6.7" x 1") |
| Module weights | 0.73 to 1.18 kg (1.6 to 2.6 lbs) |
| Terminal block dimensions | 28 H x 170 W x 114 D mm (1.1" x 6.7" x 4.5") |
| Terminal block weights | 0.27 to 0.36 kg (0.6 to 0.8 lbs) |
| Regulatory | |
| Safety and EMC | Refer to Declaration of Conformity for the latest revisions of regulatory compliance at: www.keysight.com/go/conformity |

1. Storage at temperatures above 40 °C will decrease battery life

| Recommended software | |
|--|--|
| - | Keysight IO Libraries Suite 2019 or greater: www.keysight.com/find/IOLibraries |
| - | BenchVue: www.keysight.com/find/benchvue |
| - | BenchVue DAQ: www.keysight.com/find/benchvuedaq |
| - | The BenchVue platform is a prerequisite for the BenchVue DAQ application. |
| Software driver support for programming languages | |
| Software drivers | IVI-C and IVI COM for Windows 7/8.1/10 and LabVIEW |
| Compatible programming tools and environments | |
| Keysight VEE Pro National Instruments Test Stand, Measurement Studio, LabWindows/CVI, LabVIEW, Switch Executive Microsoft Visual Studio.NET, C/C++, Visual Basic | |
| Keysight BenchVue Data Acquisition Control and Analysis Application system requirements | |
| Operating system | Microsoft Windows 10: 32-bit & 64-bit (Professional, Enterprise, Education, Home versions); Microsoft Windows 8 & 8.1: 32-bit & 64-bit (Professional, Enterprise, Core); Microsoft Windows 7: SP1 and later 32-bit & 64-bit (Professional, Enterprise, Ultimate, Home Basic, Home Premium) |
| Processor | 1 GHz or faster (2 GHz or greater recommended) |
| RAM | RAM: 1 GB (32-bit) or 2 GB (64-bit) (3 GB or greater recommended) |
| Display | 1280x1024 minimum for single instrument view (higher resolution recommended for multiple instrument view) |
| Computer Interfaces | |
| LXI | 10/100Base-T Ethernet (Sockets, VXI-11 protocol, Web user interface) |
| USB | Standard USB 2.0 |
| GPIB | IEEE-488 |
| Language | SCPI-1999, IEEE-488.2 |

Definitions for specifications

Specifications describe the warranted performance of calibrated instruments that have been stored for a minimum of 2 hours within the operating temperature range of 0 °C to 50 °C, unless otherwise stated, and after a 45 minute warm-up period. Data represented in this document are specifications unless otherwise noted.

Characteristics describe product performance that is useful in the application of the product, but that is not covered by the product warranty. Characteristics are often referred to as Typical or Nominal values.

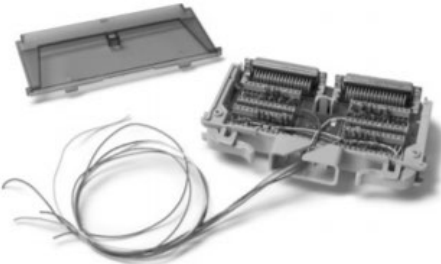

– Typical describes characteristic performance, which 80% of instruments will meet when operated over a 20 °C to 30 °C temperature range. Typical performance is not warranted.

– Nominal describes representative performance that is useful in the application of the product when operated over a 20 °C to 30 °C temperature range. Nominal performance is not warranted.

NOTE: All graphs contain measured data from several units at room temperature unless otherwise noted.

Ordering Instructions

| Instructions | | | |
|--|--|---|---|
| Mainframe – holds up to 8 plug-in modules | | | |
| 34980A | Multifunction data acquisition mainframe | Comes standard with “DMM” option and BenchVue DAQ | |
| BV0006B | BenchVue Data Acquisition Control and Analysis (DAQ) | BenchVue makes it simple to connect, control instruments, and automate test sequences. Supported plug-in modules: 34921A, 34922A, 34923A, 34924A, 34925A, 34931A, 34932A, 34933A, 34937A, 34938A, 34952A. | |
| Module | Description | Connectors | Optional terminal blocks, cables, connector kits |
| Multiplexer modules | | | |
| 34921A | 40-channel armature multiplexer w/low thermal offset (order 34921T for temp reference) | 2 – 50-pin Dsub, Male | 3492xT Terminal block with screw connectors Y1135A – 1.5 m 50-pin M/F Dsub cable Y1136A – 3 m 50-pin M/F Dsub cable Y1139A – 50-pin female solder cup connector kit |
| 34923A | 40/80-channel reed multiplexer | | |
| 34925A | 40/80-channel optically isolated FET multiplexer | | |
| 34922A | 70-channel armature multiplexer | 2 – 78-pin Dsub, Male | 3492xT Terminal block, option 001 for solder connections, option 002 for screw connectors Y1137A – 1.5 m 78-pin M/F Dsub cable Y1138A – 3 m 78-pin M/F Dsub cable Y1140A – 78-pin female solder cup connector kit |
| 34924A | 70-channel reed multiplexer | | |
| Matrix modules | | | |
| 34931A | Dual 4x8 armature matrix | 2 – 50-pin Dsub, Male | 3493xT Terminal block with screw connectors Y1135A – 1.5 m 50-pin M/F Dsub cable Y1136A – 3 m 50-pin M/F Dsub cable Y1139A – 50-pin female solder cup connector kit |
| 34932A | Dual 4x16 armature matrix | | |
| 34933A | Dual/quad 4x8 reed matrix | | |
| 34934A | Quad 4x32 reed matrix | 2 – 78-pin Dsub, Male | 34934T Terminal block with screw connectors OR 34934C Configuration block Y1134A – Row expansion cables for 34934C and 34934T Y1137A – 1.5 m 78-pin M/F Dsub cable Y1138A – 3 m 78-pin M/F Dsub cable Y1140A – 78-pin female solder cup connector kit |
| General purpose/actuator modules | | | |
| 34937A | 32-channel Form C/Form A general-purpose switch | 2 – 50-pin Dsub, Male | 3493xT Terminal block with screw connectors Y1135A – 1.5 m 50-pin M/F Dsub cable Y1136A – 3 m 50-pin M/F Dsub cable Y1139A – 50-pin female solder cup connector kit |
| 34938A | 20-channel 5-amp Form A switch | | |
| 34939A | 64-channel Form A Switch | 2 – 78-pin Dsub, Male | 34939T Terminal block with screw connectors Y1137A – 1.5 m 78-pin M/F Dsub cable Y1138A – 3 m 78-pin M/F Dsub cable Y1140A – 78-pin female solder cup connector kit |
| RF and microwave modules | | | |
| 34941A | Quad 1x4 50-ohm 3-GHz RF multiplexer | 20 - SMA | Requires standard 50 ohm SMA RF cables, and optional 8710-2576 SMA Extender wrench for connecting SMA connectors |
| 34942A | Quad 1x4 75-ohm 1.5 GHz RF multiplexer | 20 – mini SMB | Requires mini 75 ohm SMB RF cables, adapters |
| 34945A | Microwave switch/attenuator driver | N/A | Requires 34945EXT and optional Y1150A-Y1155A distribution boards (one 34945EXT is automatically included in each 34945A order) |
| 34946A | Dual 1x2 SPDT terminated microwave switch Option 001: No switches installed Option 004: 4 GHz switches installed Option 020: 20 GHz switches installed Option 026: 26.5 GHz switches installed | 6 SMA | Requires standard 50 ohm SMA cables and adapters 8710-2576 SMA Extender for connecting SMA connectors. Option 001 supports qty 2 of any of the following switches: N1810UL unterminated SPDT N1810TL terminated SPDT N1811TL terminated 4 port transfer |

| | | | |
|---|---|---|---|
| 34947A | | 9 SMA | N1812UL unterminated 5 port transfer Requires standard 50 ohm SMA cables and adapters 8710-2576 SMA Extender for connecting SMA connectors. Option 001 supports qty 3 N1810UL unterminated SPDT switches |
| System measurement and control modules | | | |
| 34950A | 64-bit digital I/O with memory and counter | 2 – 78-pin Dsub, Female | 3495xT Terminal block with screw connectors Y1137A – 1.5 m 78-pin M/F Dsub cable Y1138A – 3 m 78-pin M/F Dsub cable Y1142A – 78-pin male solder cup connector kit |
| 34951A | 4-channel isolated D/A converter with waveform memory (DMM option required for calibration) | 1 – 50-pin Dsub, Female | 3495xT Terminal block with screw connectors Y1135A – 1.5 m 50-pin M/F Dsub cable Y1136A – 3 m 50-pin M/F Dsub cable Y1141A – 50-pin male solder cup connector kit |
| 34952A | Multifunction module with 32-bit DIO, 2-ch D/A and totalizer | | |
| 34959A | Breadboard module | 26- & 40-pin internal ribbon cable connectors | Any terminal block can be used assuming 50- or 78-pin Dsub is used |
| Accessories | | | |
| Y1130B | Rackmount kit for 34980A, forward or reverse mount (must order either E3663AC rail kit for forward rack mounting or E3664AC rail kit for reverse rack mounting) | | |
| Y1131A | Verification and diagnostic tools for 34980A mainframe and modules (select option for specific module support) | | |
| Y1132A | Module extender for 34980A. Extends cable to locate module outside of mainframe 8710-2576 SMA Extender for connecting SMA connectors. | | |
| Terminal blocks used for discrete wiring. Supports 20 AWG wire for 100 connections | | | |
| 3492xT | Multiplexer terminal blocks | | Screw terminal block  |
| 3493xT | Matrix and GP terminal blocks | | |
| 3495xT | Measurement and control terminal blocks | | |
| Cables - used for direct cable connection to module. Some modules require 2 cables | | | |
| Y1134A | Row expansion cables for 34934C and 34934T | | |
| Y1135A | 1.5 m 50-pin Dsub, M/F twisted pair with outer shield cable – 300 V | | |
| Y1136A | 3 m 50-pin Dsub, M/F twisted pair with outer shield cable – 300 V | | |
| Y1137A | 1.5 m 78-pin Dsub, M/F twisted pair with outer shield cable – 300 V | | |
| Y1138A | 3 m 78-pin Dsub, M/F twisted pair with outer shield cable – 300 V | | |
| Connector kits used to build custom cables | | | |
| Y1139A | Solder cup connector kit for 34921/23/25/31/32/33/37/38 –50-pin Dsub female – 125 V | | Connector kit  |
| Y1140A | Solder cup connector kit for 34922, 34924 – 78-pin Dsub female – 60 V | | |
| Y1141A | Solder cup connector kit for 34951, 34952 – 50-pin Dsub male – 125 V | | |
| Y1142A | Solder cup connector kit for the 34950A – 78-pin Dsub male – 60 V | | |

34945A accessory distribution boards required for control of external switches. One 34945EXT is required for each 64 coils (included, add more 34945EXTs for additional coils).

| | |
|----------|---|
| 34945EXT | External driver for 34945A, one required for each 64 coils –holds 4 distribution boards. Order Y1157A-Y1159A cable kits to connect from distribution boards to switches and attenuators |
| Y1150A | 34945EXT distribution board for 8 N181x SPDT switches |
| Y1151A | 34945EXT distribution board for two 87104x/106x L7x0xx multiport or 87406B matrix switches |
| Y1152A | 34945EXT distribution board for one 87204x/206x or 87606B switch and two N181x switches |
| Y1153A | 34945EXT distribution board for two 84904/5/6/7/8 or 8494/5/6 step attenuators |
| Y1154A | 34945EXT distribution board for two 87222, L7222C transfer switches and six N181x SPDT switches |
| Y1155A | 34945EXT distribution board w/ generic screw terminals for driving 16 switch coils |
| Y1157A | 9-to-10 pin cable kit for Y1150A, Y1152A, Y1154A - supplies to build 4 cables |
| Y1158A | 10-to-10/10-to-14 pin cable kit for Y1153A, Y1154A - supplies to build 2 cables |
| Y1159A | 6-to-16 pin cable kit for 1150A/51A/52A/53A/54A/55A - supplies to build 2 cables |

Thermocouples/thermistors

| | |
|--------|---------------------------------|
| 34307A | 10 pack of J type thermocouples |
| 34308A | 5 pack of 10 k thermistors |

Learn more at: www.keysight.com

For more information on Keysight Technologies' products, applications or services, please contact your local Keysight office. The complete list is available at: www.keysight.com/find/contactus



Find us at www.keysight.com

This information is subject to change without notice. © Keysight Technologies, 2019 - 2021, Published in USA, July 15, 2021, 5989-1437EN

X-ON Electronics

Largest Supplier of Electrical and Electronic Components

Click to view similar products for [Test Accessories - Other category](#):

Click to view products by [Keysight manufacturer](#):

Other Similar products are found below :

[AO1026](#) [AO1035](#) [AO1051](#) [AO1059](#) [149116](#) [149118](#) [RS40](#) [RS41](#) [AO1030](#) [AO1032](#) [AO1036](#) [AO1058](#) [4742](#) [KTS288540](#) [11-32-2733](#)
[00415](#) [00163](#) [PACC-ZD005](#) [PACC-ZD007](#) [700M20TH](#) [628824000](#) [MPT-VF](#) [B3](#) [15010A0A0100M0](#) [B3](#) [15050A0D01A2M0](#) [B3](#)
[1505A00A01A1M0](#) [B3](#) [15060A0D0100M0](#) [98-CAL020](#) [MO-SCREEN](#) [68-020-01P](#) [CVRF02](#) [CPAK8](#) [RT-ZA19](#) [LCR-OPT-02](#) [1-1437358-1](#)
[4408](#) [POMONA](#) [DME D110 T1](#) [LMLH 50](#) [FLUKE PM9082/001](#) [85392-12](#) [ST18/SMAM/SMAM/72](#) [HO720](#) [45025](#) [45028](#) [CT2300](#) [CC545](#)
[VT-1000](#) [CT3041](#) [VS-AVT-CABLE-08](#) [6172A](#) [68-023-01](#)