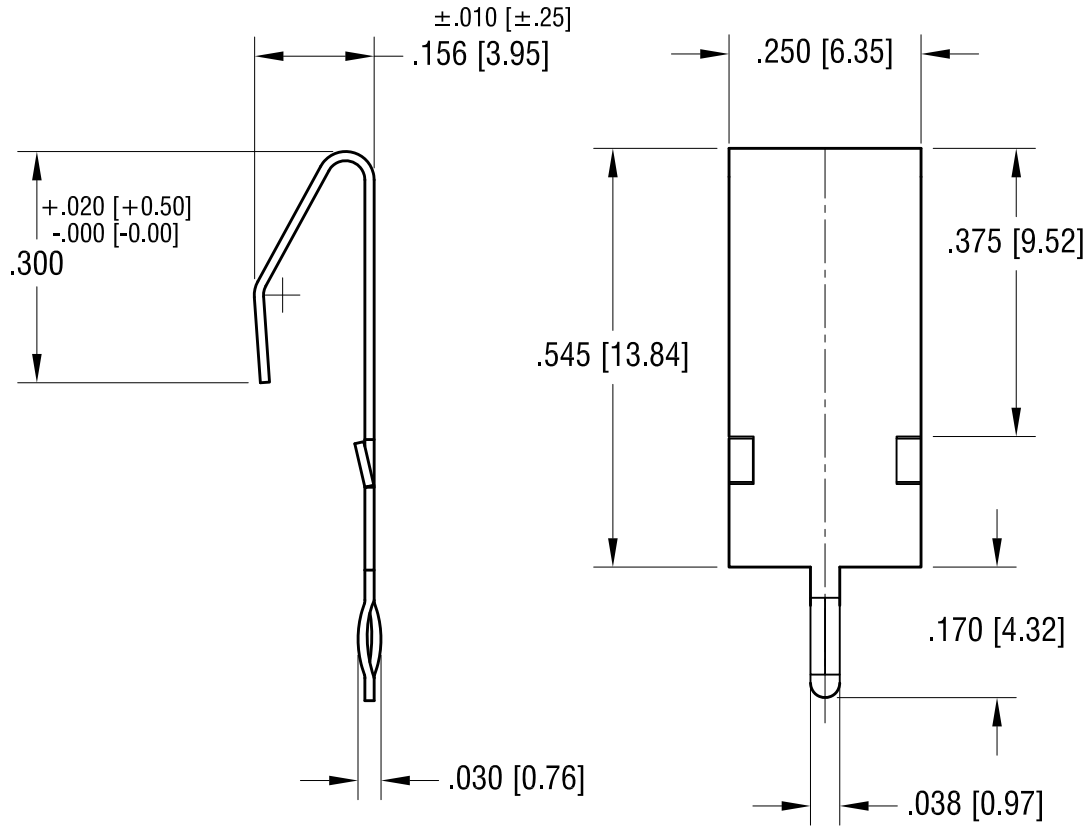


THIS DOCUMENT IS THE PROPERTY OF KEYSTONE ELECTRONICS CORP. AND SHALL NOT BE REPRODUCED, DISTRIBUTED OR USED AS A BASIS FOR MANUFACTURE WITHOUT PRIOR WRITTEN PERMISSION FROM KEYSTONE ELECTRONICS CORP.

ACTUAL SIZE



NOTE:

1. MOUNTING HOLE 0.47 [1.20] DIA.

11.19.20	CHANGE AS PER ECN 20-092	C
9.08.15	CHANGE AS PER ECN 15-088	B
10.10.13	CHANGE AS PER ECN 13-097	A
DATE	DESCRIPTION	REV.

KEYSTONE ELECTRONICS CORP.			
www.keyelco.com • NEW HYDE PARK, NY 11040 • Tel (516) 328-7500			
PART NAME		THM BATTERY CONTACT	
MATERIAL		.012 [0.30] TH'K STAINLESS STEEL	
FINISH		DRN BY	DATE
TIN NICKEL PLATE		NT	1.06.11
		APP'D	SCALE
			4X
TOLERANCES	INCH [MM]	CODE	DWG NO.
DECIMAL	$\pm .005$ [± 0.13]	C	1017-1
ANGULAR	$\pm 1^\circ$		
UNLESS OTHERWISE SPECIFIED			

X-ON Electronics

Largest Supplier of Electrical and Electronic Components

Click to view similar products for [Battery Contacts](#) category:

Click to view products by [Keystone](#) manufacturer:

Other Similar products are found below :

[3.5MM-UNIVERSAL-CONTACT](#) [120220-0311](#) [101267-209](#) [009155003001013](#) [72](#) [1189](#) [120](#) [120220-0202](#) [120220-0206](#) [1241](#) [120220-0204](#) [120220-0210](#) [117](#) [111](#) [497](#) [5203](#) [5219](#) [5225](#) [550](#) [553](#) [555](#) [556](#) [202-02970-00518](#) [009155002100006](#) [009155002101006](#)
[009155002201006](#) [009155002301006](#) [009155002401006](#) [009155002402006](#) [009155002541006](#) [009155002852006](#) [009155003001016](#)
[009155003002016](#) [009155003003016](#) [009155003101006](#) [009155003201006](#) [009155003301006](#) [009155003401006](#) [009155003402006](#)
[009155003541006](#) [009155003852006](#) [009155004002016](#) [009155004003016](#) [009155004201006](#) [009155004301006](#) [009155004401006](#)
[009155004402006](#) [009155004541006](#) [009155004852006](#) [009155005001016](#)