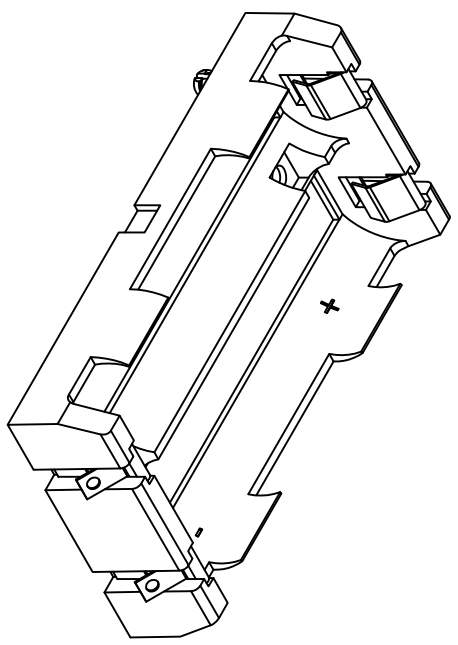


NOTE:
 1. BASE:
 MAT'L: HEAT RESISTANCE NYLON (BLACK COLOR)
 STANLYL 46 OR EQUIVALENT
 2. CONTACT:
 MAT'L: .012 THK STAINLESS STEEL
 FINISH: TIN NICKEL PLATE

POLARITY SYMBOL
 (APPROX. AS SHOWN)



DATE	DESCRIPTION	REV.
1.19.15	CHANGE AS PER ECN 14-011	A

KEYSTONE ELECTRONICS CORP.
 www.keystone.com • ASTORIA, N.Y. 11105-2017 • Tel (718) 956-8900

PART NAME
SOLDER TAIL DUAL BATTERY HOLDER, 18650

MATERIAL
 AS NOTED

FINISH
 AS NOTED

TOLERANCES	INCH	[MM]	CODE	DWG NO.
DECIMAL	± .010	[± 0.25]	C	1047
ANGULAR	± 1°			

THIS DOCUMENT IS THE PROPERTY OF
 KEYSTONE ELECTRONICS CORP. AND
 SHALL NOT BE REPRODUCED, DISTRIBUTED
 OR USED AS A BASIS FOR MANUFACTURE
 WITHOUT PRIOR WRITTEN PERMISSION
 FROM KEYSTONE ELECTRONICS CORP.

DRN BY: NT
 DATE: 12.08.14
 App'D: SCALE: 1X

X-ON Electronics

Largest Supplier of Electrical and Electronic Components

Click to view similar products for [Cylindrical Battery Contacts, Clips, Holders & Springs](#) category:

Click to view products by [Keystone](#) manufacturer:

Other Similar products are found below :

[753-00001](#) [12BH36A-GR](#) [200](#) [183](#) [270](#) [QX3506](#) [5220](#) [5230](#) [1055](#) [1088](#) [5250](#) [166](#) [591](#) [1044](#) [KT0008](#) [1119](#) [254TR](#) [5207](#) [1121](#) [246](#)
[4027003022001-PK](#) [1012](#) [1020](#) [1024](#) [1024C](#) [1075](#) [1077](#) [1080](#) [1088](#) [1090](#) [1096](#) [1097](#) [1098](#) [1109](#) [1126](#) [1127](#) [1128](#) [1162](#) [1173](#) [147](#) [148](#)
[150](#) [151](#) [152](#) [153](#) [154](#) [155](#) [169](#) [171](#) [175](#)