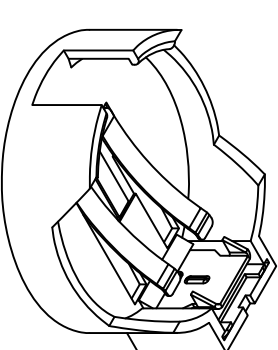
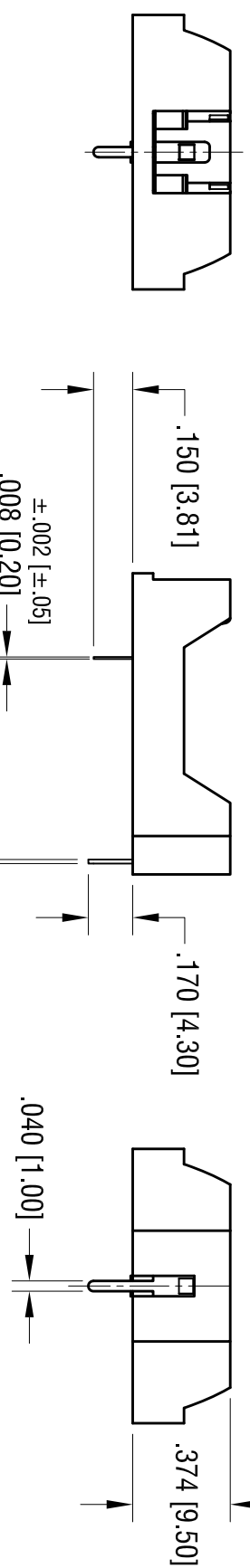
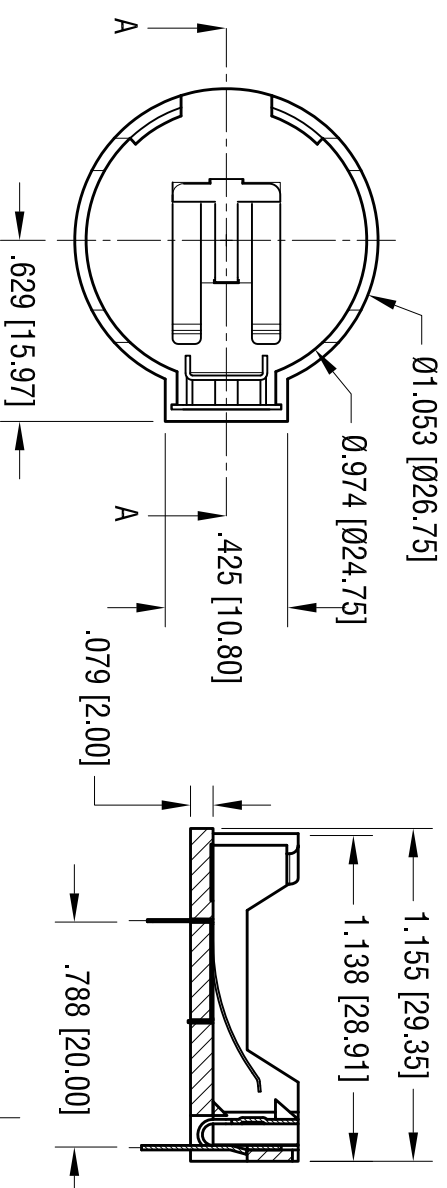
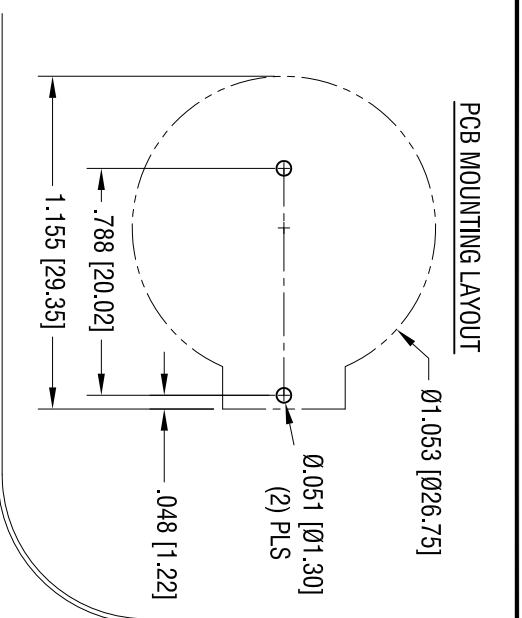


DATE	DESCRIPTION	REV.
1.24.11	CHANGE AS PER ECN 11-007	A
11.22.11	CHANGE AS PER ECN 11-157	B
9.11.15	CHANGE AS PER ECN 15-089	C



- NOTE:
1. HOUSING: MAT'L- PBT-UL 94V-0
 2. POSITIVE AND NEGATIVE CONTACTS: MAT'L- PHOSPHOR BRONZE FINISH- NICKEL PLATE

KEYSTONE ELECTRONICS CORP.
 www.keystone.com • ASTORIA, N.Y. 11105-2017 • Tel (718) 956-8900

PART NAME
BATTERY HOLDER FOR CR2450

MATERIAL
 AS NOTED

FINISH		TOLERANCES		CODE	DRN BY	DATE
AS NOTED		INCH	[MM]	C	NT	11.29.10
		DECIMAL	± .010 [± 0.25]		AppD	SCALE
		ANGULAR	± 1°			1.5X
		UNLESS OTHERWISE SPECIFIED				
					DWG NO.	1053

THIS DOCUMENT IS THE PROPERTY OF KEYSTONE ELECTRONICS CORP. AND SHALL NOT BE REPRODUCED, DISTRIBUTED OR USED AS A BASIS FOR MANUFACTURE WITHOUT PRIOR WRITTEN PERMISSION FROM KEYSTONE ELECTRONICS CORP.

X-ON Electronics

Largest Supplier of Electrical and Electronic Components

Click to view similar products for [Coin Cell Battery Holders](#) category:

Click to view products by [Keystone](#) manufacturer:

Other Similar products are found below :

[PDSN-11-D](#) [1058](#) [1052](#) [799-2007](#) [BH44AAB](#) [BH48DL](#) [BH8000](#) [BS-6-1](#) [79573231](#) [101](#) [3035](#) [1025](#) [1026](#) [1027](#) [103](#) [1059](#) [1060](#) [1063](#)
[1065](#) [D3](#) [46400000](#) [BC-0403](#) [BH-121-1B](#) [BH-1/2AA-2A](#) [BH-131A](#) [BH-3101A](#) [BH-3103B](#) [BH-311-1A](#) [BH-311-1D](#) [BH-321-1A](#) [BH-321-1B](#) [BH-321-1D](#) [BH-331-3D](#) [BH-331P](#) [BH-333A](#) [BH-341-1P](#) [BH-351A](#) [BH-362B](#) [BH-383A](#) [BH-421A](#) [BH-422A](#) [BH-425A](#) [BH-431-1B](#)
[BH-463A](#) [BH-511A](#) [BHC-18650-1P](#) [46300000](#) [46600000](#) [799-2001](#) [SBH-331A](#)