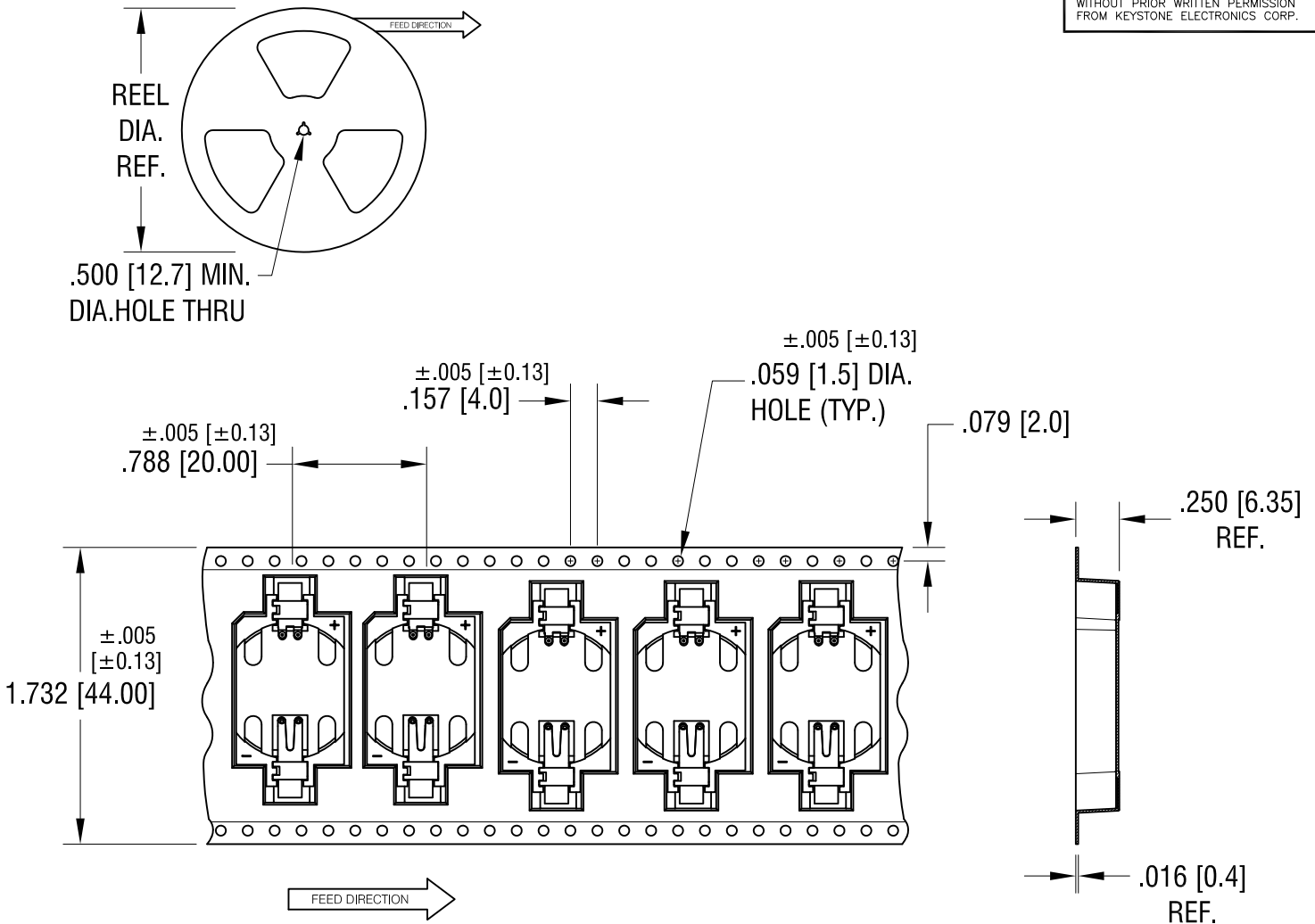


THIS DOCUMENT IS THE PROPERTY OF KEYSTONE ELECTRONICS CORP. AND SHALL NOT BE REPRODUCED, DISTRIBUTED OR USED AS A BASIS FOR MANUFACTURE WITHOUT PRIOR WRITTEN PERMISSION FROM KEYSTONE ELECTRONICS CORP.



NOTES:

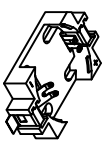
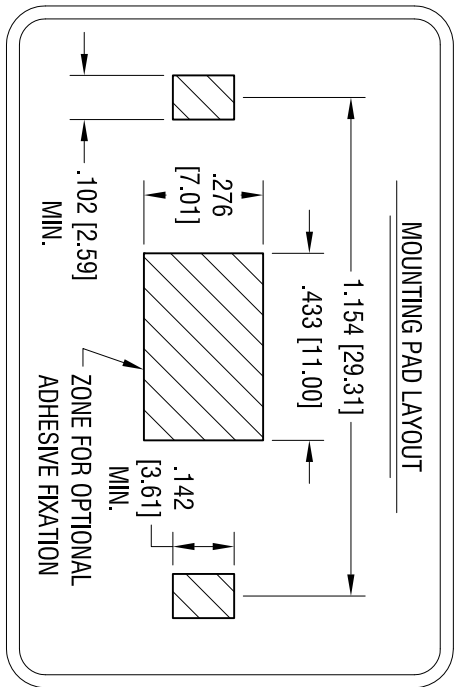
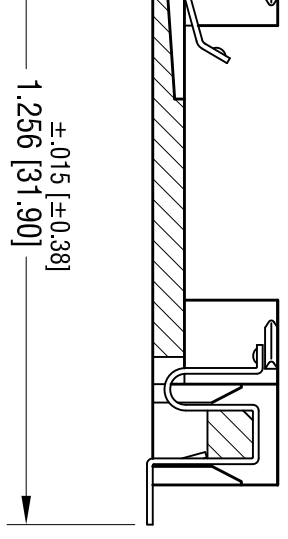
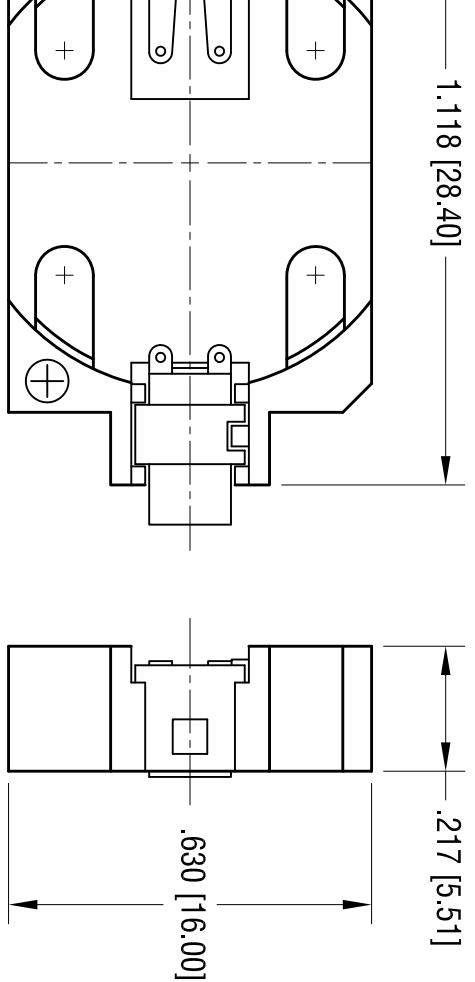
TAPE AND REEL SPECIFICATIONS:

1. TAPE:
MAT'L - ALL CONDUCTIVE POLYSTYRENE CARRIER
ANSI/EIA-481 STANDARD
2. REEL:
13.0 [330.2] DIA. 500 PIECES OF
PART NO. 1060 PER REEL.

| | | |
|----------|--------------------------|------|
| 11.10.15 | CHANGE AS PER ECN 15-133 | C |
| 5.01.13 | CHANGE AS PER ECN 13-038 | B |
| 6.18.07 | CHANGE AS PER ECN 07-034 | A |
| DATE | DESCRIPTION | REV. |

| | | | |
|--|-----------------|--------|----------|
| KEYSTONE ELECTRONICS CORP. | | | |
| www.keyelco.com • NEW HYDE PARK, NY 11040 • Tel (516) 328-7500 | | | |
| PART NAME | | | |
| 2032mm SM COIN CELL HOLDER ON TAPE | | | |
| MATERIAL | | | |
| AS NOTED | | | |
| FINISH | | DRN BY | DATE |
| AS NOTED | | BOONE | 10.19.99 |
| | | APP'D | SCALE |
| | | | 1X |
| TOLERANCES | INCH [MM] | CODE | DWG NO. |
| DECIMAL | ± .015 [± 0.38] | C | 1060TR |
| ANGULAR | ± 1° | | |
| UNLESS OTHERWISE SPECIFIED | | | |

| DATE | DESCRIPTION | REV. |
|----------|--------------------------|------|
| 6.1.06 | CHANGE AS PER ECN 06-033 | E |
| 12.12.08 | CHANGE AS PER ECN 08-193 | F |
| 5.13.09 | CHANGE AS PER ECN 09-038 | G |
| 8.12.11 | CHANGE AS PER ECN 11-105 | J |
| 2.26.14 | CHANGE AS PER ECN 14-019 | K |
| 7.25.14 | CHANGE AS PER ECN 14-078 | L |



ACTUAL SIZE

THIS DOCUMENT IS THE PROPERTY OF KEYSTONE ELECTRONICS CORP. AND SHALL NOT BE REPRODUCED, DISTRIBUTED OR USED AS A BASIS FOR MANUFACTURE WITHOUT PRIOR WRITTEN PERMISSION FROM KEYSTONE ELECTRONICS CORP.

94V-0

SPHOR BRONZE

G

| | | | |
|--|---------------|---------------------|---------------------|
| <p>KEYSTONE ELECTRONICS CORP. www.keystec.com • ASTORIA, N.Y. 11105-2017 • Tel (718) 956-8900</p> | | | |
| <p>PART NAME 2032 BATTERY HOLDER, SMT</p> | | | |
| <p>MATERIAL AS NOTED</p> | | | |
| <p>FINISH AS NOTED</p> | | <p>DRN BY BOONE</p> | <p>DATE 1.19.99</p> |
| <p>TOLERANCES INCH [MM]</p> <p>DECIMAL $\pm .010$ [± 0.25]</p> <p>ANGULAR $\pm 1^\circ$</p> <p>UNLESS OTHERWISE SPECIFIED</p> | <p>CODE C</p> | <p>DWG NO. 1060</p> | <p>SCALE 3X</p> |

X-ON Electronics

Largest Supplier of Electrical and Electronic Components

Click to view similar products for [Coin Cell Battery Holders](#) category:

Click to view products by [Keystone](#) manufacturer:

Other Similar products are found below :

[SMTU2450N-LF](#) [PDSN-11-D](#) [1058](#) [1052](#) [799-2007](#) [BH44AAB](#) [BH48DL](#) [BH8000](#) [BS-6-1](#) [79573231](#) [101](#) [3035](#) [1025](#) [1026](#) [1027](#) [103](#)
[1059](#) [1060](#) [1063](#) [1065](#) [D3](#) [46400000](#) [BC-0403](#) [BH-121-1B](#) [BH-1/2AA-2A](#) [BH-131A](#) [BH-3101A](#) [BH-3103B](#) [BH-311-1A](#) [BH-311-1D](#) [BH-](#)
[321-1A](#) [BH-321-1B](#) [BH-321-1D](#) [BH-331-3D](#) [BH-331P](#) [BH-333A](#) [BH-341-1P](#) [BH-351A](#) [BH-362B](#) [BH-421A](#) [BH-422A](#) [BH-425A](#) [BH-](#)
[431-1B](#) [BH-463A](#) [BH-511A](#) [BHC-18650-1P](#) [46300000](#) [46600000](#) [799-2001](#) [SBH-331A](#)