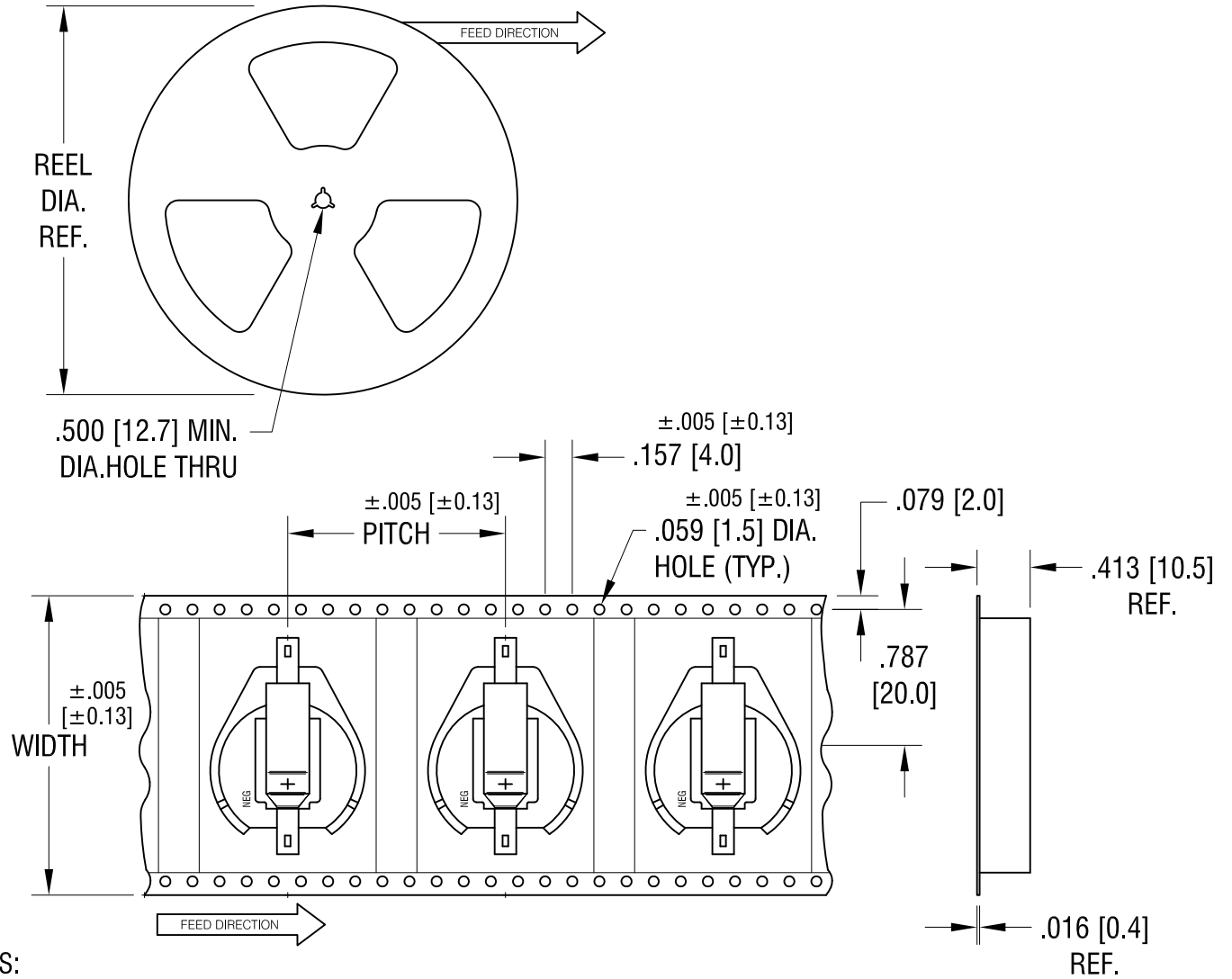


THIS DOCUMENT IS THE PROPERTY OF KEYSTONE ELECTRONICS CORP. AND SHALL NOT BE REPRODUCED, DISTRIBUTED OR USED AS A BASIS FOR MANUFACTURE WITHOUT PRIOR WRITTEN PERMISSION FROM KEYSTONE ELECTRONICS CORP.



NOTES:

TAPE AND REEL SPECIFICATIONS:

1. TAPE:

MAT'L - ALL CONDUCTIVE POLYSTYRENE CARRIER
 ANSI/EIA-481 STANDARD
 1.732 [44.0] WIDE; 1.260 [32.0] PITCH

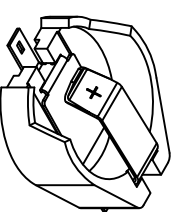
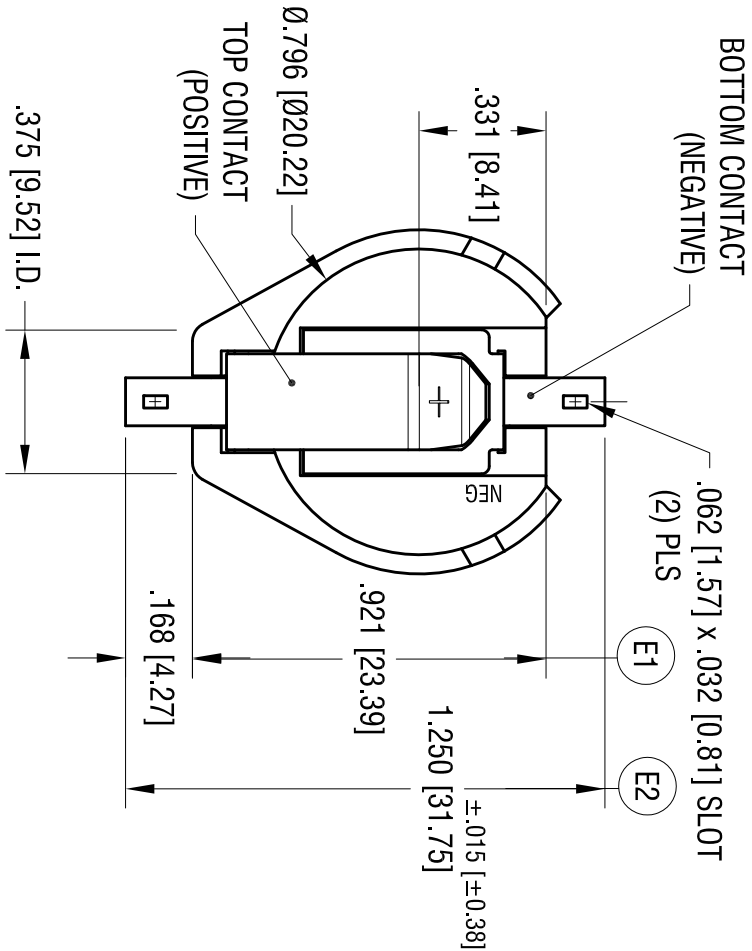
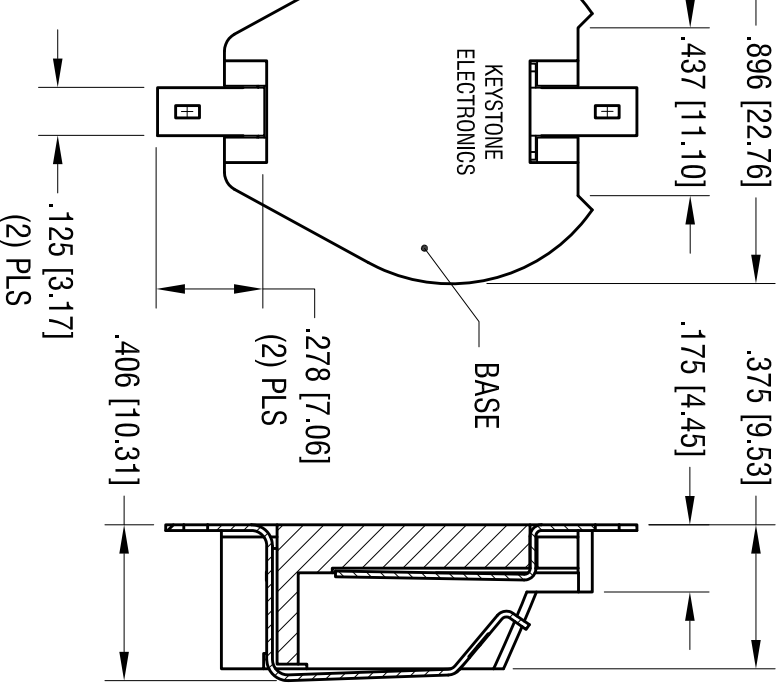
2. REEL:

13.0 [330.2] DIA. 200 PIECES OF
 PART NO. 1064 PER REEL.

KEYSTONE ELECTRONICS CORP.			
www.keyelco.com • ASTORIA, N.Y. 11105-2017 • Tel (718) 956-8900			
PART NAME			
20mm SM COIN CELL HOLDER ON TAPE			
MATERIAL			
AS NOTED			
FINISH		DRN BY	DATE
AS NOTED		BOONE	5.8.00
		APP'D	SCALE
			X
TOLERANCES	INCH [MM]	CODE	DWG NO.
DECIMAL	± .015 [± 0.38]	C	1064TR
ANGULAR	± 1°		
UNLESS OTHERWISE SPECIFIED			

DATE	DESCRIPTION	REV.

DATE	DESCRIPTION	REV.
9.17.04	CHANGE AS PER ECN 04-107	B
11.04.11	CHANGE AS PER ECN 11-149	C
3.20.19	CHANGE AS PER ECN19-038	D
1.10.22	ECN 22-010, (E1) WAS .931 (E2) WAS 1.250±.010	E



ACTUAL SIZE

NYLON (UL 94V-0)

STEEL

KEYSTONE ELECTRONICS CORP.
www.keystone.com • NEW HYDE PARK, NY 11040 • Tel (516) 328-7500

PART NAME: DUAL 20mm BATTERY HOLDER, SMT

MATERIAL: AS NOTED

FINISH: AS NOTED

TOLERANCES: INCH [MM]
DECIMAL ±.010 [±0.25]
ANGULAR ± 1°

CODE: C DWG NO.: 1064

DRN BY: BOONE DATE: 8.09.95
APPD: SCALE: 2X

THIS DOCUMENT IS THE PROPERTY OF KEYSTONE ELECTRONICS CORP. AND SHALL NOT BE REPRODUCED, DISTRIBUTED OR USED AS A BASIS FOR MANUFACTURE WITHOUT PRIOR WRITTEN PERMISSION FROM KEYSTONE ELECTRONICS CORP.

X-ON Electronics

Largest Supplier of Electrical and Electronic Components

Click to view similar products for [Battery Contacts](#) category:

Click to view products by [Keystone](#) manufacturer:

Other Similar products are found below :

[3.5MM-UNIVERSAL-CONTACT](#) [120220-0311](#) [101267-209](#) [009155003001013](#) [RRC-MC21-90-10](#) [1011-1](#) [2470RB](#) [2472RB](#) [2983TR](#) [72](#)
[1189](#) [120](#) [120220-0202](#) [120220-0206](#) [1241](#) [120220-0204](#) [120220-0210](#) [117](#) [111](#) [497](#) [5203](#) [5219](#) [5225](#) [550](#) [553](#) [555](#) [556](#) [202-02970-](#)
[00518](#) [009155002100006](#) [009155002101006](#) [009155002201006](#) [009155002301006](#) [009155002402006](#) [009155002541006](#) [009155002852006](#)
[009155003001016](#) [009155003002016](#) [009155003003016](#) [009155003100006](#) [009155003101006](#) [009155003201006](#) [009155003301006](#)
[009155003401006](#) [009155003402006](#) [009155003541006](#) [009155003852006](#) [009155004002016](#) [009155004003016](#) [009155004201006](#)
[009155004301006](#)