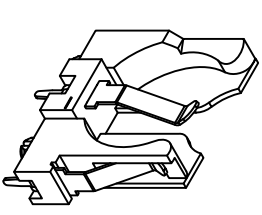
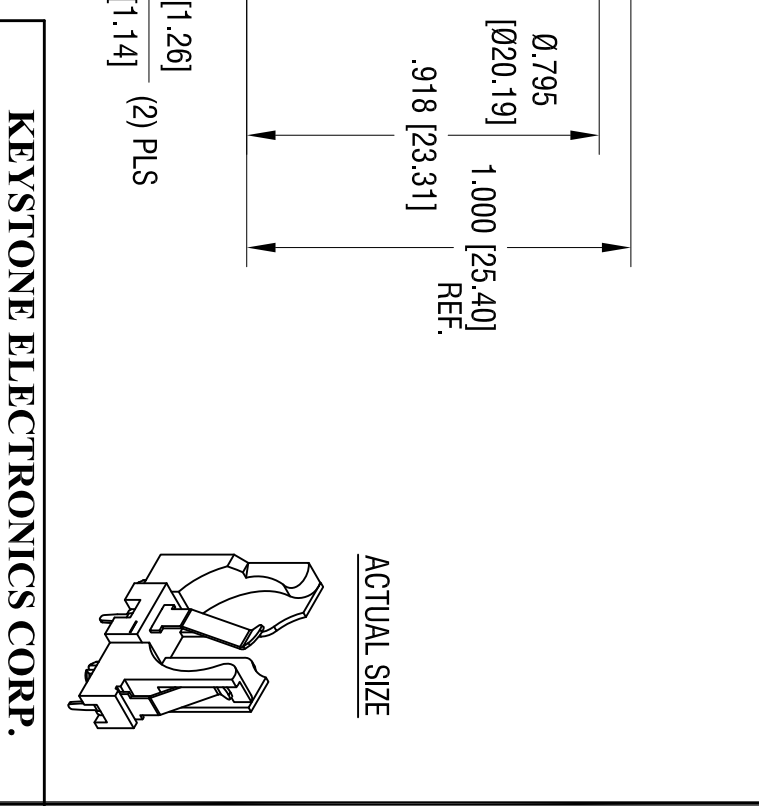
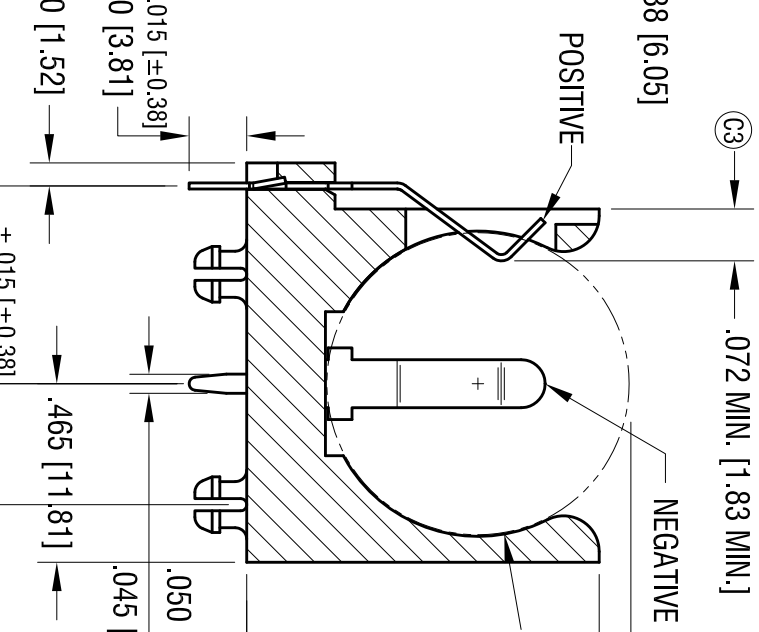
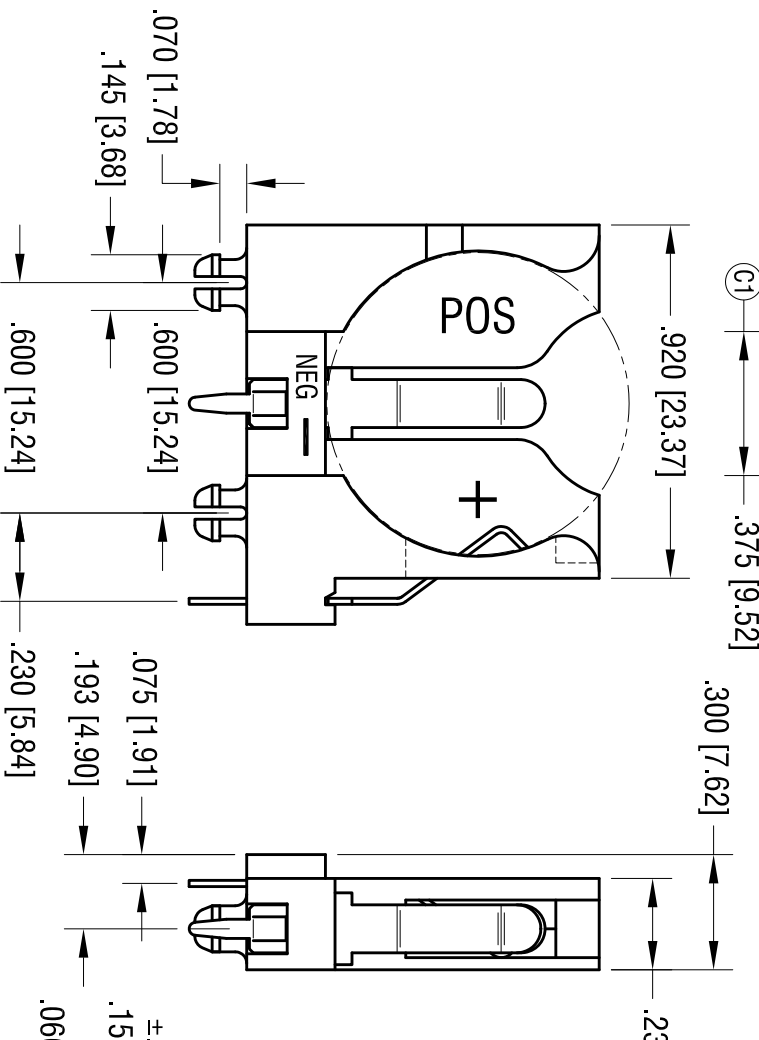


DATE	DESCRIPTION	REV.
7.6.98	CHANGE AS PER ECR 98-038	A
4.19.12	CHANGE AS PER ECN 10-051 ADD CONTACT LOCATION DIMENSIONS	B
8.02.13	CHANGE AS PER ECN 13-063 ADD C1, C2, C3 DIMENSIONS CONTACT MTL WAS SPRING STEEL	C



ACTUAL SIZE



NOTES:

1. BASE:

MAT'L - PBT (UL 94V-0) BLACK

CONTACTS:

MAT'L - .016 [0.40] THK STAINLESS STEEL

FINISH - TIN NICKEL PLATE.

THIS DOCUMENT IS THE PROPERTY OF KEystone ELECTRONICS CORP. AND SHALL NOT BE REPRODUCED, DISTRIBUTED OR USED AS A BASIS FOR MANUFACTURE WITHOUT PRIOR WRITTEN PERMISSION FROM KEystone ELECTRONICS CORP.

KEYSTONE ELECTRONICS CORP.

www.keystonelco.com • ASTORIA, N.Y. 11105-2017 • Tel (718) 956-8900

PART NAME
VERTICAL 20mm COIN CELL HOLDER

MATERIAL
AS NOTED

FINISH
AS NOTED

TOLERANCES	INCH	[MM]	CODE	DWG NO.
DECIMAL	± .010	[± 0.25]	C	
ANGULAR	± 1°			

DRN BY	DATE	SCALE
BOONE	5.6.98	2X

1065

X-ON Electronics

Largest Supplier of Electrical and Electronic Components

Click to view similar products for [Coin Cell Battery Holders](#) category:

Click to view products by [Keystone](#) manufacturer:

Other Similar products are found below :

[SMTU2450N-LF](#) [PDSN-11-D](#) [1058](#) [1052](#) [799-2007](#) [BH44AAB](#) [BH48DL](#) [BH8000](#) [BS-6-1](#) [79573231](#) [101](#) [3035](#) [1025](#) [1026](#) [1027](#) [103](#)
[1059](#) [1060](#) [1063](#) [1065](#) [D3](#) [46400000](#) [BC-0403](#) [BH-121-1B](#) [BH-1/2AA-2A](#) [BH-131A](#) [BH-3101A](#) [BH-3103B](#) [BH-311-1A](#) [BH-311-1D](#) [BH-](#)
[321-1A](#) [BH-321-1B](#) [BH-321-1D](#) [BH-331-3D](#) [BH-331P](#) [BH-333A](#) [BH-341-1P](#) [BH-351A](#) [BH-362B](#) [BH-421A](#) [BH-422A](#) [BH-425A](#) [BH-](#)
[431-1B](#) [BH-463A](#) [BH-511A](#) [BHC-18650-1P](#) [46300000](#) [46600000](#) [799-2001](#) [SBH-331A](#)