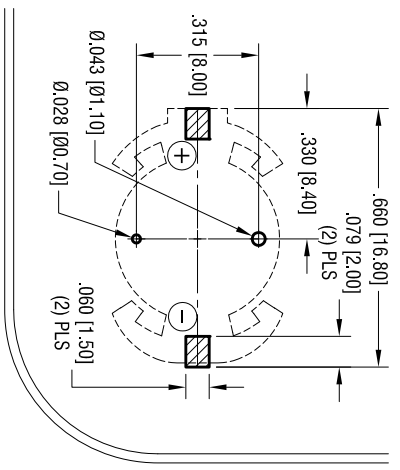
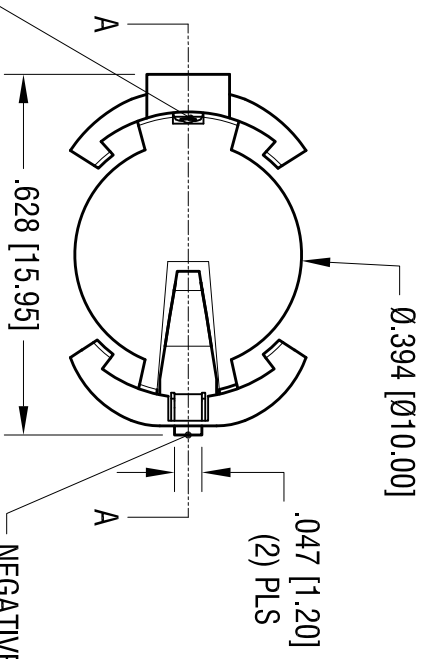


DATE	DESCRIPTION	REV.
9.18.20	CHANGE AS PER ECN 20-083 WAS 700 PCS PER 13" REEL	A
4.20.21	CHANGE AS PER ECN 21-038 WAS 1020 PCS PER REEL	B

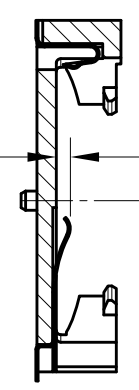
ACTUAL SIZE



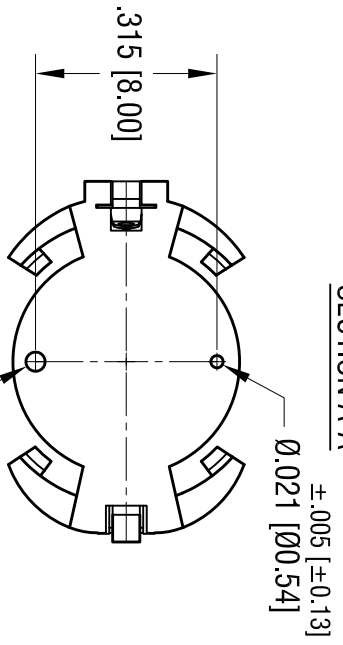
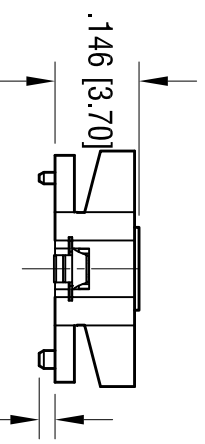
POSITIVE CONTACT



NEGATIVE CONTACT



SECTION A-A

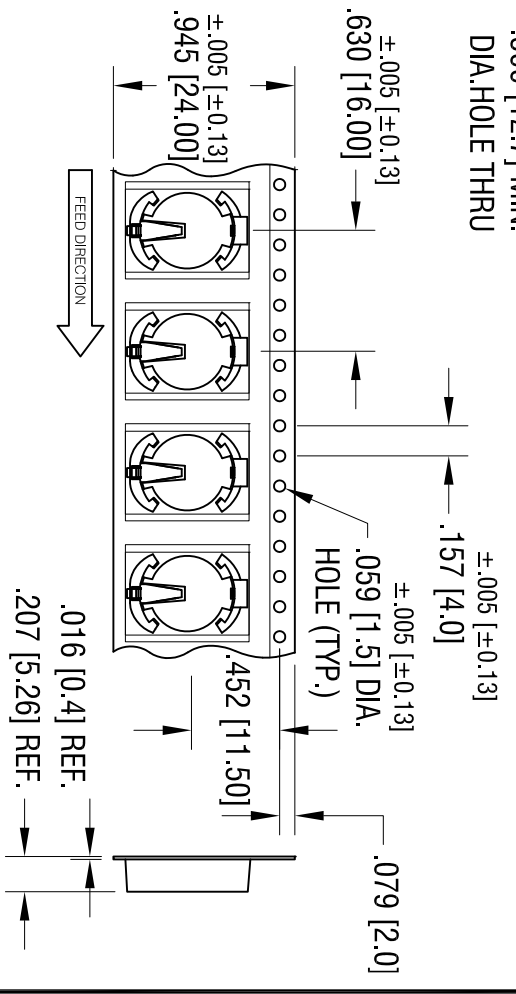
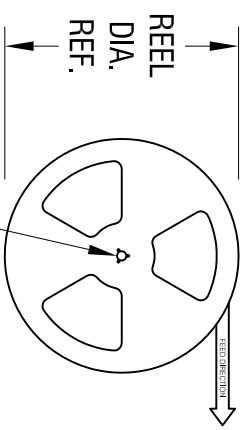


NOTES:  
TAPE AND REEL SPECIFICATIONS:

1. TAPE:  
MATERIAL - ALL CONDUCTIVE POLYSTYRENE CARRIER  
ANSI/EIA-481 STANDARD
2. REEL:  
15.0 [380.8] DIA. 1000 PIECES OF  
PART NO. 1072 PER REEL.

HOLDER SPECIFICATIONS:

1. HOUSING: MATERIAL- PLASTIC PA9T, BLACK
2. CONTACTS: MATERIAL- PHOSPHOR BRONZE  
FINISH: CONTACT AREA- GOLD FLASH  
SOLDER AREA- MATTE TIN PLATE



**KEYSTONE ELECTRONICS CORP.**

www.keystone.com • NEW HYDE PARK, NY 11040 • Tel (516) 328-7500

PART NAME

BATTERY HOLDER CR1220 / 1225

MATERIAL

AS NOTED

FINISH

AS NOTED

THIS DOCUMENT IS THE PROPERTY OF KEYSTONE ELECTRONICS CORP. AND SHALL NOT BE REPRODUCED, DISTRIBUTED OR USED AS A BASIS FOR MANUFACTURE WITHOUT PRIOR WRITTEN PERMISSION FROM KEYSTONE ELECTRONICS CORP.

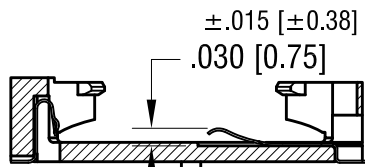
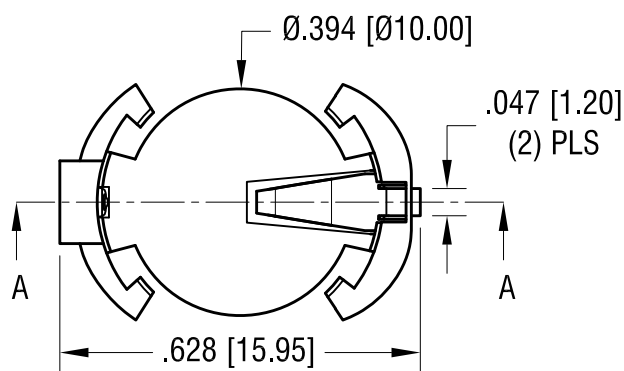
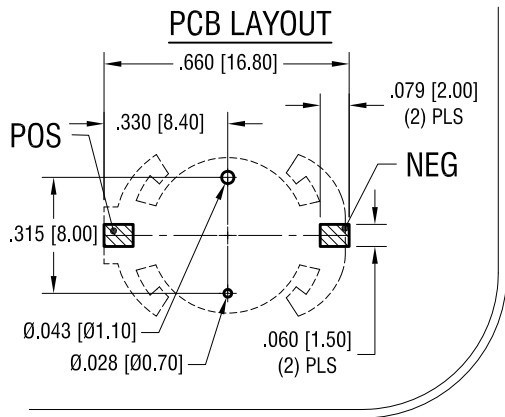
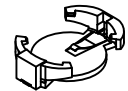
TOLERANCES	INCH	[MM]	CODE	DWG. NO.
DECIMAL	± .010	[± 0.25]	C	
ANGULAR	± 1°			

DRN BY	DATE	SCALE
NT	5.03.16	1X, 3X

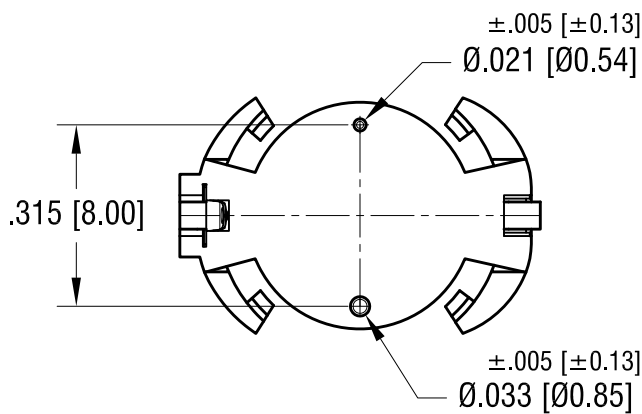
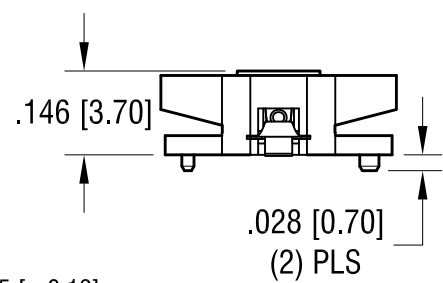
1072TR

THIS DOCUMENT IS THE PROPERTY OF KEYSTONE ELECTRONICS CORP. AND SHALL NOT BE REPRODUCED, DISTRIBUTED OR USED AS A BASIS FOR MANUFACTURE WITHOUT PRIOR WRITTEN PERMISSION FROM KEYSTONE ELECTRONICS CORP.

ACTUAL SIZE



SECTION A-A



**NOTE:**

1. HOUSING: MAT'L- PA9T, BLACK COLOR
  2. CONTACTS: MAT'L- PHOSPHOR BRONZE
- FINISH: CONTACT AREA- GOLD FLASH  
SOLDER AREA- MATTE TIN PLATE

<b>KEYSTONE ELECTRONICS CORP.</b>			
www.keyelco.com • NEW HYDE PARK, NY 11040 • Tel (516) 328-7500			
PART NAME			
BATTERY HOLDER CR1220 / 1225			
MATERIAL			
AS NOTED			
FINISH		DRN BY	DATE
AS NOTED		NT	5.29.19
		APP'D	SCALE
			3X
TOLERANCES	INCH [MM]	CODE	DWG NO.
DECIMAL	± .010 [± 0.25]	C	<b>1072</b>
ANGULAR	± 1°		
UNLESS OTHERWISE SPECIFIED			

DATE	DESCRIPTION	REV.

## X-ON Electronics

Largest Supplier of Electrical and Electronic Components

*Click to view similar products for [Coin Cell Battery Holders](#) category:*

*Click to view products by [Keystone](#) manufacturer:*

Other Similar products are found below :

[SMTU2450N-LF](#) [PDSN-11-D](#) [1058](#) [1052](#) [799-2007](#) [BH44AAB](#) [BH48DL](#) [BH8000](#) [BS-6-1](#) [79573231](#) [101](#) [3035](#) [1025](#) [1026](#) [1027](#) [103](#)  
[1059](#) [1060](#) [1063](#) [1065](#) [D3](#) [46400000](#) [BC-0403](#) [BH-121-1B](#) [BH-1/2AA-2A](#) [BH-131A](#) [BH-3101A](#) [BH-3103B](#) [BH-311-1A](#) [BH-311-1D](#) [BH-](#)  
[321-1A](#) [BH-321-1B](#) [BH-321-1D](#) [BH-331-3D](#) [BH-331P](#) [BH-333A](#) [BH-341-1P](#) [BH-351A](#) [BH-362B](#) [BH-421A](#) [BH-422A](#) [BH-425A](#) [BH-](#)  
[431-1B](#) [BH-463A](#) [BH-511A](#) [BHC-18650-1P](#) [46300000](#) [46600000](#) [799-2001](#) [SBH-331A](#)