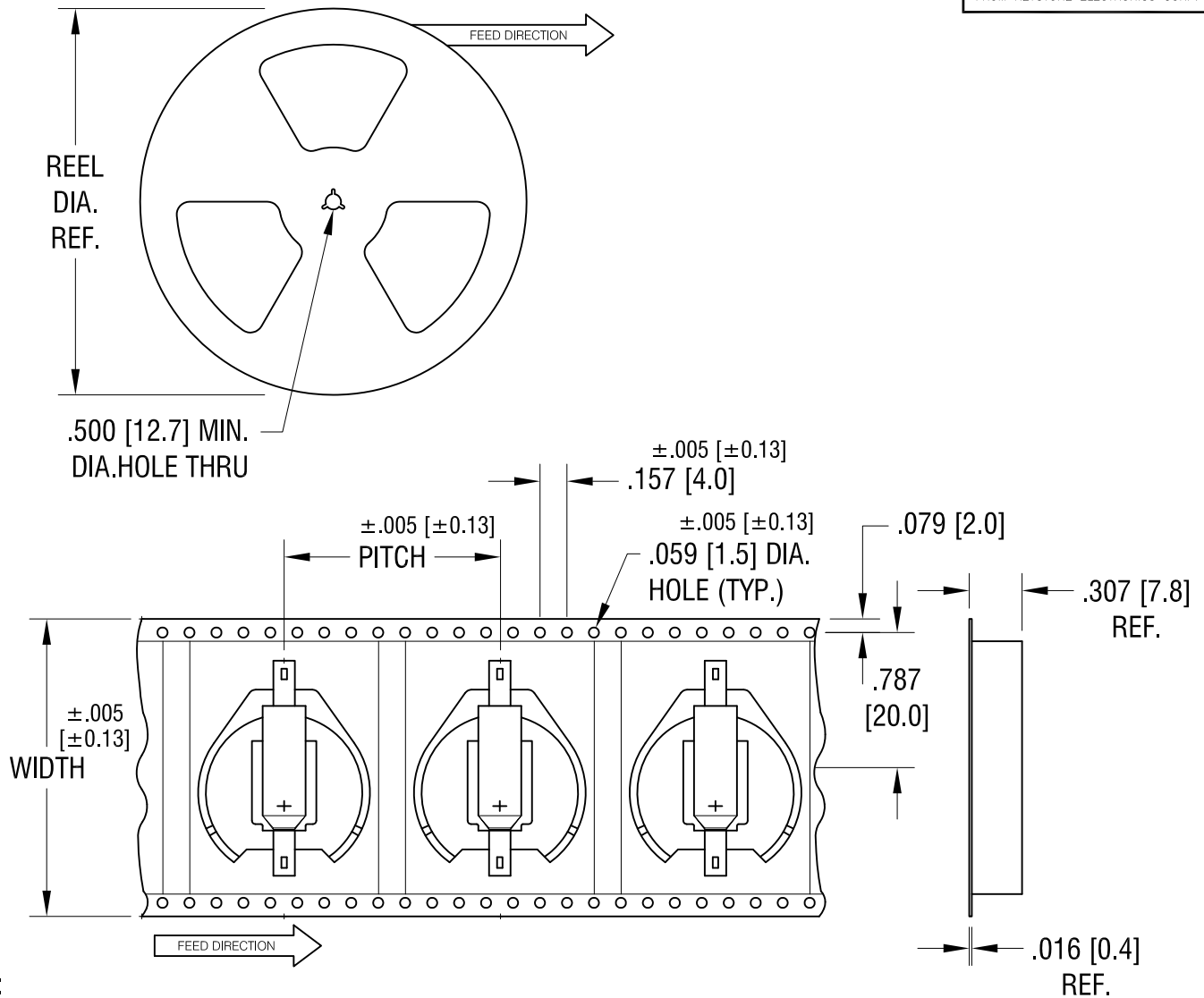


THIS DOCUMENT IS THE PROPERTY OF KEYSTONE ELECTRONICS CORP. AND SHALL NOT BE REPRODUCED, DISTRIBUTED OR USED AS A BASIS FOR MANUFACTURE WITHOUT PRIOR WRITTEN PERMISSION FROM KEYSTONE ELECTRONICS CORP.



NOTES:

TAPE AND REEL SPECIFICATIONS:

1. TAPE:

MAT'L - ALL CONDUCTIVE POLYSTYRENE CARRIER
 ANSI/EIA-481 STANDARD
 1.732 [44.0] WIDE; 1.260 [32.0] PITCH

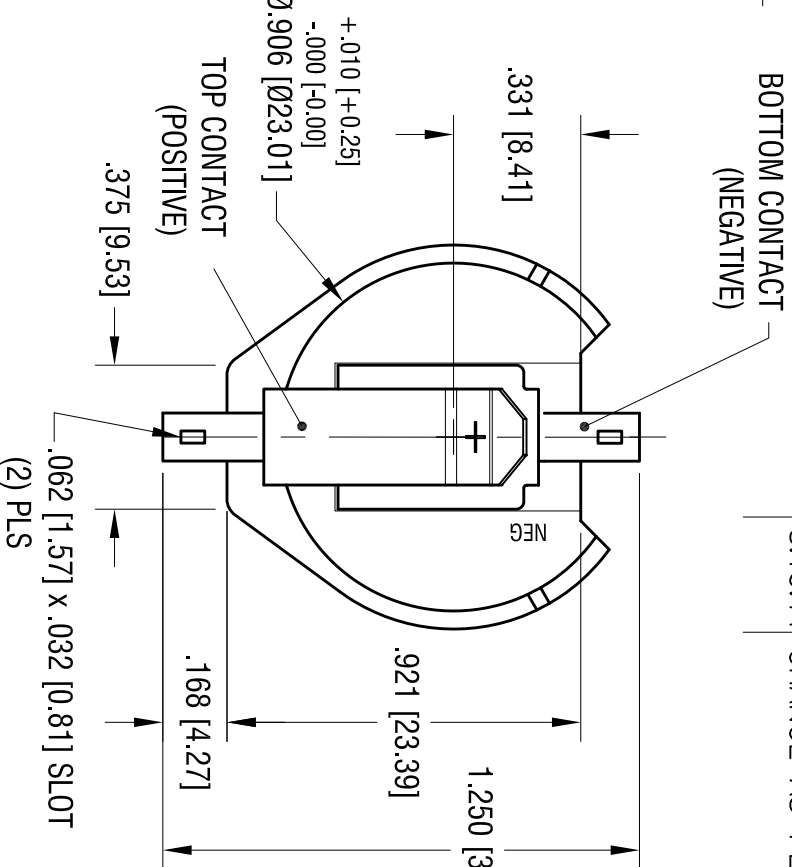
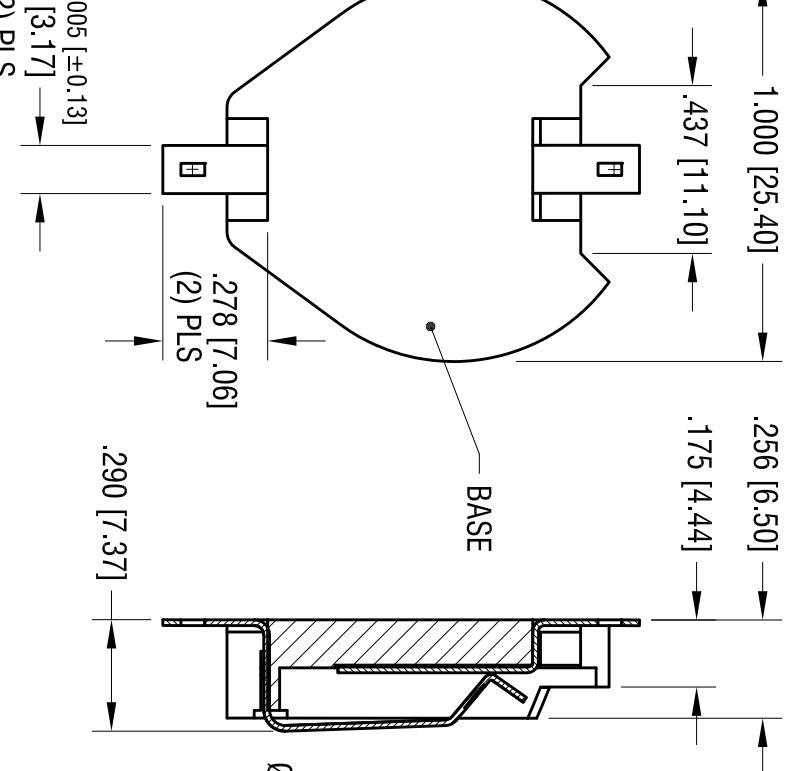
2. REEL:

13.0 [330.2] DIA. 200 PIECES OF
 PART NO. 1073 PER REEL.

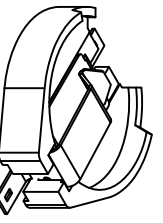
| | | | |
|---|-----------------|----------------------------|----------------|
| KEYSTONE ELECTRONICS CORP. | | | |
| www.keyelco.com • ASTORIA, N.Y. 11105-2017 • Tel (718) 956-8900 | | | |
| PART NAME 23mm SM COIN CELL HOLDER ON TAPE | | | |
| MATERIAL AS NOTED | | | |
| FINISH AS NOTED | | DRN BY BOONE | DATE 5.2.00 |
| | | APP'D | SCALE X |
| TOLERANCES | INCH [MM] | CODE | DWG NO. |
| DECIMAL | ± .015 [± 0.38] | C | 1073TR |
| ANGULAR ± 1° | | UNLESS OTHERWISE SPECIFIED | |

| | | |
|---------|--------------------------|------|
| 6.19.07 | CHANGE AS PER ECN 07-038 | A |
| DATE | DESCRIPTION | REV. |

| DATE | DESCRIPTION | REV. |
|---------|--|------|
| 9.17.04 | CHANGE AS PER ECN 04-109 | D |
| 7.28.08 | CHANGE AS PER ECN 08-133 | E |
| 7.05.11 | CHANGE AS PER ECN 11-091 SPLIT C/M TO 'C' AND 'M' | F |
| 8.15.11 | CHANGE AS PER ECN 11-106 | G |



M):
RING STEEL
E NYLON (UL 94V-0)



ACTUAL SIZE

THIS DOCUMENT IS THE PROPERTY OF KEYSTONE ELECTRONICS CORP. AND SHALL NOT BE REPRODUCED, DISTRIBUTED OR USED AS A BASIS FOR MANUFACTURE AND/OR REPAIR WITHOUT PERMISSION FROM KEYSTONE ELECTRONICS CORP.

KEYSTONE ELECTRONICS CORP.
www.keystec.com • ASTORIA, N.Y. 11105-2017 • Tel (718) 956-8900

PART NAME: 23mm BATTERY HOLDER, SMT

MATERIAL: AS NOTED

FINISH: AS NOTED

TOLERANCES: INCH [MM]
DECIMAL ± .010 [± 0.25]
ANGULAR ± 1°

CODE: C

DRN BY: BOONE
Appd: SCALE: 2X
DATE: 11.18.96

DWG NO.: 1073

X-ON Electronics

Largest Supplier of Electrical and Electronic Components

Click to view similar products for [Coin Cell Battery Holders](#) category:

Click to view products by [Keystone](#) manufacturer:

Other Similar products are found below :

[SMTU2450N-LF](#) [PDSN-11-D](#) [1058](#) [1052](#) [799-2007](#) [BH44AAB](#) [BH48DL](#) [BH8000](#) [BS-6-1](#) [79573231](#) [101](#) [3035](#) [1025](#) [1026](#) [1027](#) [103](#)
[1059](#) [1060](#) [1063](#) [1065](#) [D3](#) [46400000](#) [BC-0403](#) [BH-121-1B](#) [BH-1/2AA-2A](#) [BH-131A](#) [BH-3101A](#) [BH-3103B](#) [BH-311-1A](#) [BH-311-1D](#) [BH-](#)
[321-1A](#) [BH-321-1B](#) [BH-321-1D](#) [BH-331-3D](#) [BH-331P](#) [BH-333A](#) [BH-341-1P](#) [BH-351A](#) [BH-362B](#) [BH-421A](#) [BH-422A](#) [BH-425A](#) [BH-](#)
[431-1B](#) [BH-463A](#) [BH-511A](#) [BHC-18650-1P](#) [46300000](#) [46600000](#) [799-2001](#) [SBH-331A](#)