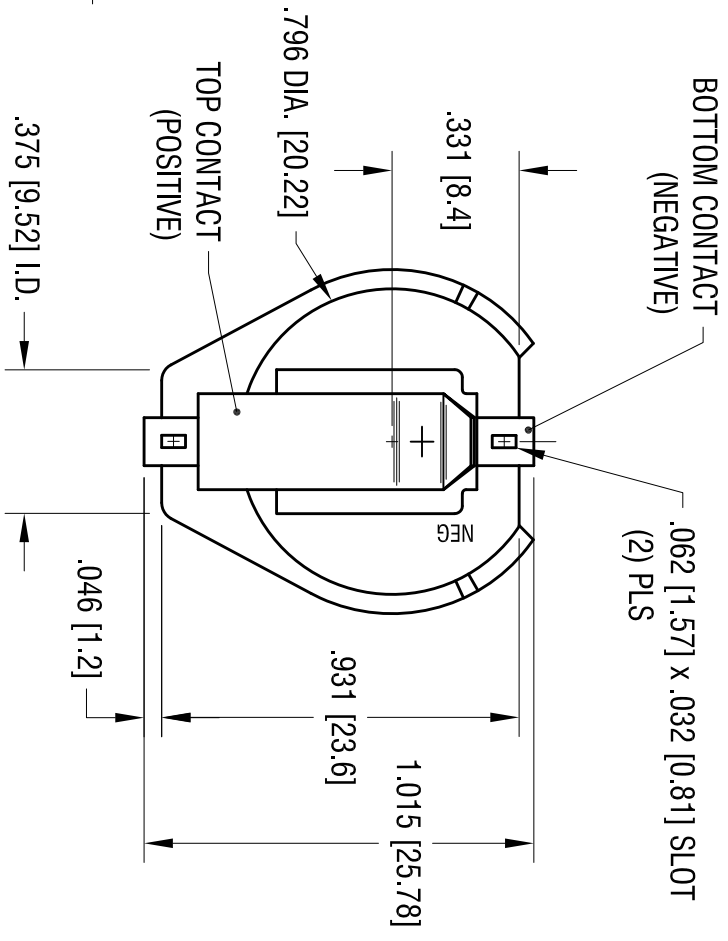
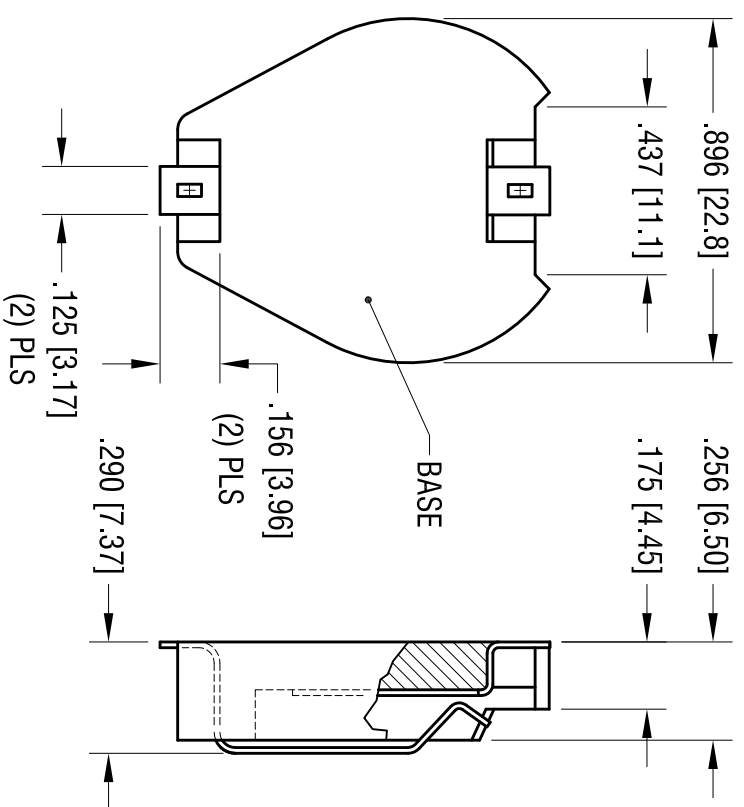
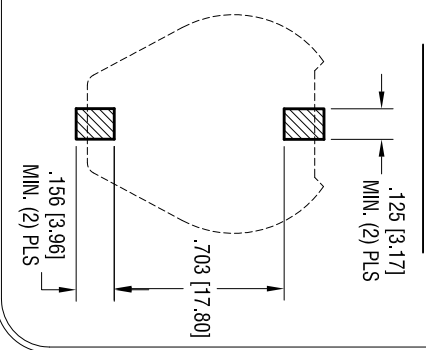


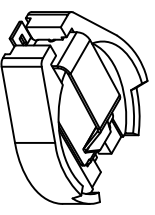
**MOUNTING DETAIL**



**NOTES:**

1. BASE:  
MAT'L - HIGH TEMPERATURE NYLON (UL 94V-0)  
COLOR BLACK
2. CONTACTS (TOP AND BOTTOM):  
MAT'L - .015 [0.38] THK SPRING STEEL  
FINISH: GOLD FLASH PLATE

**ACTUAL SIZE**



THIS DOCUMENT IS THE PROPERTY OF KEYSTONE ELECTRONICS CORP. AND SHALL NOT BE REPRODUCED, DISTRIBUTED OR USED AS A BASIS FOR MANUFACTURE WITHOUT PRIOR WRITTEN PERMISSION FROM KEYSTONE ELECTRONICS CORP.

DATE	DESCRIPTION	REV.
8.12.11	CHANGE AS PER ECN 11-104	A

**KEYSTONE ELECTRONICS CORP.**  
www.keystec.com • ASTORIA, N.Y. 11105-2017 • Tel (718) 956-8900

**PART NAME**  
20mm BATTERY HOLDER, SMT

**MATERIAL**  
AS NOTED

**FINISH**  
AS NOTED

**DRN BY** NT  
**DATE** 3.19.09

TOLERANCES	INCH	[MM]	CODE	DWG NO.
DECIMAL	± .010	[± 0.25]	C	1081
ANGULAR	± 1°			

UNLESS OTHERWISE SPECIFIED

## X-ON Electronics

Largest Supplier of Electrical and Electronic Components

*Click to view similar products for [Coin Cell Battery Holders](#) category:*

*Click to view products by [Keystone](#) manufacturer:*

Other Similar products are found below :

[SMTU2450N-LF](#) [PDSN-11-D](#) [1058](#) [1052](#) [799-2007](#) [BH44AAB](#) [BH48DL](#) [BH8000](#) [BS-6-1](#) [79573231](#) [101](#) [3035](#) [1025](#) [1026](#) [1027](#) [103](#)  
[1059](#) [1060](#) [1063](#) [1065](#) [D3](#) [46400000](#) [BC-0403](#) [BH-121-1B](#) [BH-1/2AA-2A](#) [BH-131A](#) [BH-3101A](#) [BH-3103B](#) [BH-311-1A](#) [BH-311-1D](#) [BH-](#)  
[321-1A](#) [BH-321-1B](#) [BH-321-1D](#) [BH-331-3D](#) [BH-331P](#) [BH-333A](#) [BH-341-1P](#) [BH-351A](#) [BH-362B](#) [BH-421A](#) [BH-422A](#) [BH-425A](#) [BH-](#)  
[431-1B](#) [BH-463A](#) [BH-511A](#) [BHC-18650-1P](#) [46300000](#) [46600000](#) [799-2001](#) [SBH-331A](#)