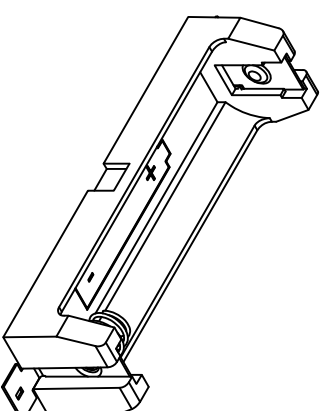
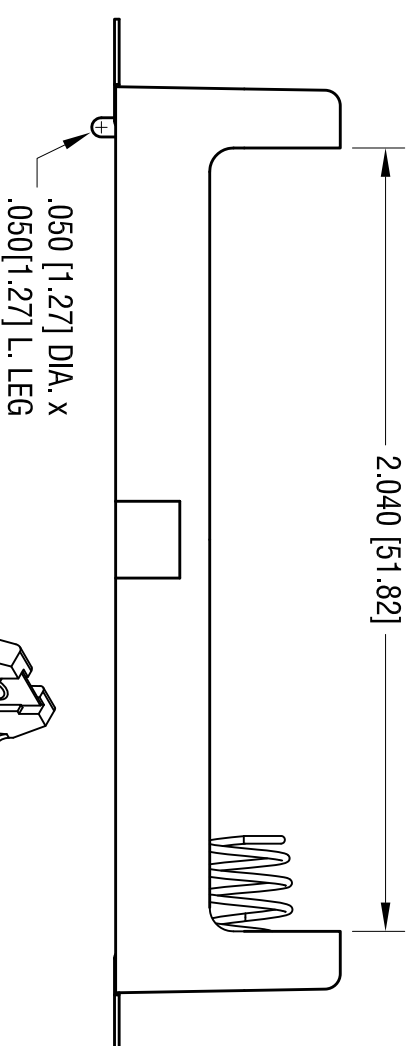
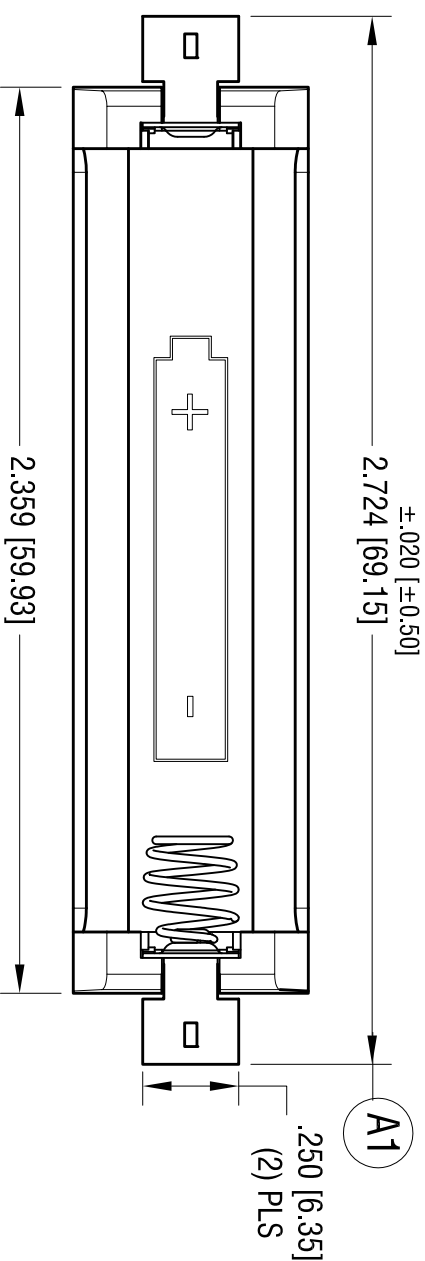
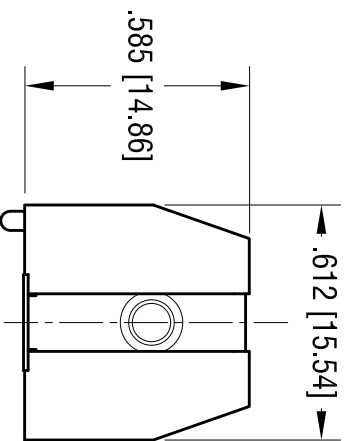
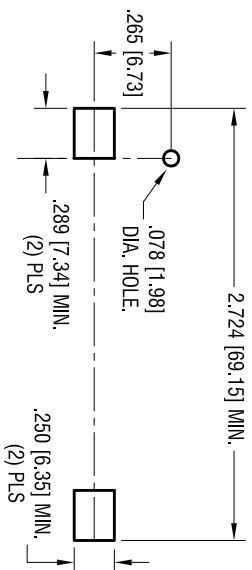


**MOUNTING PAD LAYOUT**



**NOTE:**

**1. BASE:**

MAT'L: HEAT RESISTANCE NYLON  
STANVL 46 OR EQUIVALENT

**2. CONTACTS:**

MAT'L: BASE-.012 [0.30] THK STAINLESS STEEL  
SPRING-.020 [0.50] DIA. MUSIC WIRE  
FINISH: GOLD FLASH, OVER NICKEL PLATE.

DATE	DESCRIPTION	REV.
10.24.19	CHANGE AS PER ECN 19-080	A
	(A1) WAS 2.711 ±.010	

**KEYSTONE ELECTRONICS CORP.**  
www.keystec.com • ASTORIA, N.Y. 11105-2017 • Tel (718) 956-8900

**PART NAME**  
SMT SINGLE BATTERY HOLDER, AA

**MATERIAL**  
AS NOTED

**FINISH**  
AS NOTED

TOLERANCES	INCH	[MM]	CODE	DWG NO.
DECIMAL	±.010	[± 0.25]	C	1088
ANGULAR	± 2.27.13			

UNLESS OTHERWISE SPECIFIED

THIS DOCUMENT IS THE PROPERTY OF KEYSTONE ELECTRONICS CORP. AND SHALL NOT BE REPRODUCED, DISTRIBUTED OR USED AS A BASIS FOR MANUFACTURE WITHOUT PRIOR WRITTEN PERMISSION FROM KEYSTONE ELECTRONICS CORP.

DRN BY: NT  
DATE: 6.12.14  
SCALE: 2X

## X-ON Electronics

Largest Supplier of Electrical and Electronic Components

*Click to view similar products for [Cylindrical Battery Contacts, Clips, Holders & Springs](#) category:*

*Click to view products by [Keystone](#) manufacturer:*

Other Similar products are found below :

[753-00001](#) [12BH36A-GR](#) [200](#) [183](#) [270](#) [QX3506](#) [5220](#) [5230](#) [1055](#) [1088](#) [5250](#) [166](#) [591](#) [1044](#) [KT0008](#) [1119](#) [254TR](#) [5207](#) [1121](#) [246](#)  
[4027003022001-PK](#) [1012](#) [1020](#) [1024](#) [1024C](#) [1075](#) [1077](#) [1080](#) [1088](#) [1090](#) [1096](#) [1097](#) [1098](#) [1109](#) [1126](#) [1127](#) [1128](#) [1162](#) [1173](#) [147](#) [148](#)  
[150](#) [151](#) [152](#) [153](#) [154](#) [155](#) [169](#) [171](#) [175](#)