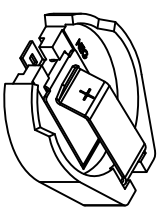
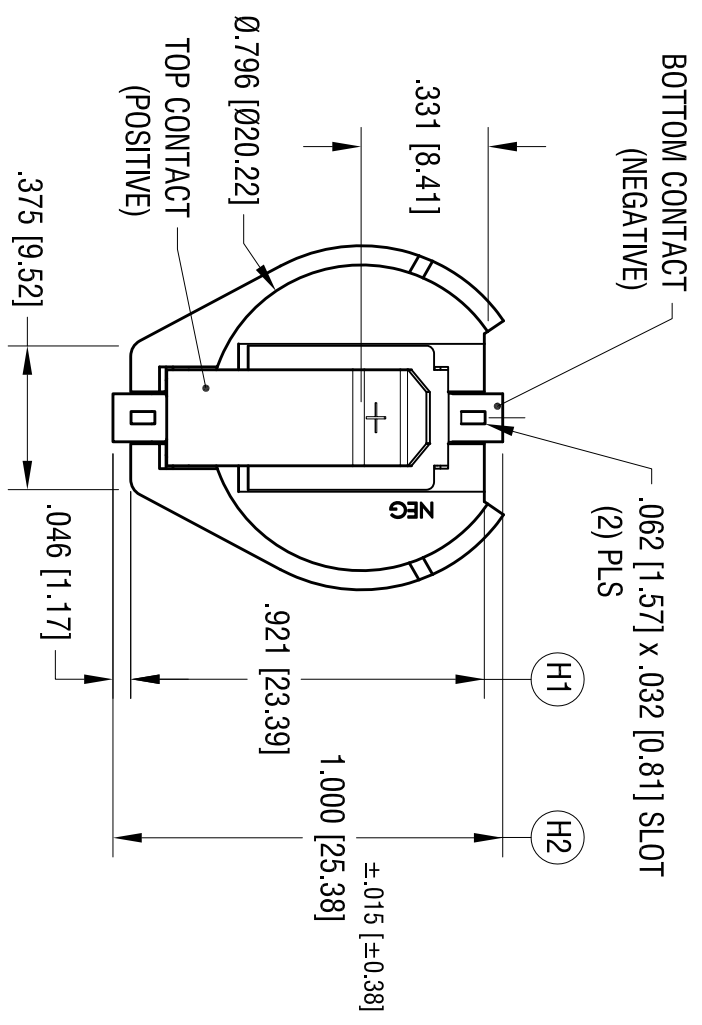
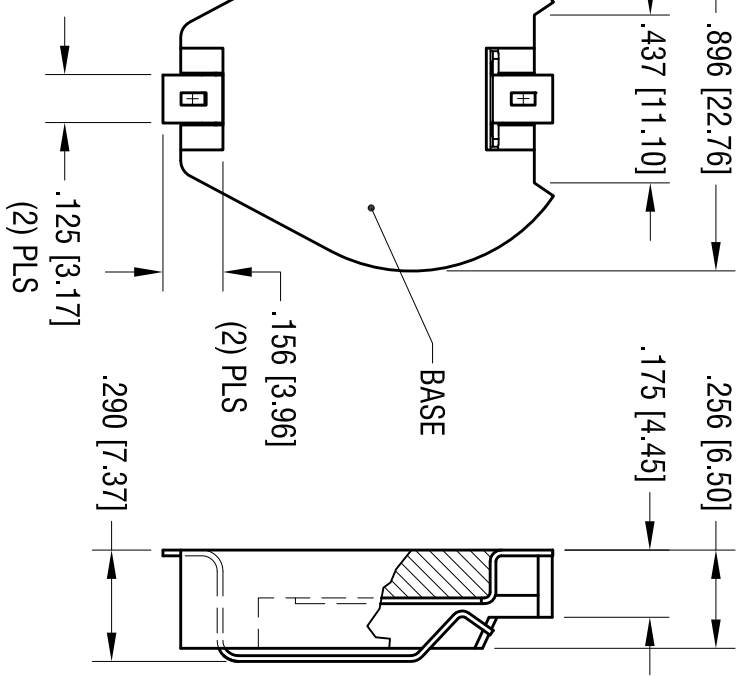


DATE	DESCRIPTION	REV.
9.17.04	CHANGE AS PER ECN 04-104	F
8.15.11	ECN 11-106; ADD FLATNESS	G
1.10.22	ECN ECN 22-004, (H1) WAS .931 (H2) WAS 1.015	H



ACTUAL SIZE

RE NYLON (UL 94V-0)

PRING STEEL

KEYSTONE ELECTRONICS CORP.
www.keyleco.com • NEW HYDE PARK, NY 11040 • Tel (516) 328-7500

PART NAME: 20mm BATTERY HOLDER, SMT

MATERIAL: AS NOTED

FINISH: AS NOTED

TOLERANCES: INCH [MM]
DECIMAL ±.010 [±0.25]
ANGULAR ± 1°

CODE: C

DRN BY: BOONE
App'd: SCALE: 2X

DATE: 12.14.92

DWG NO.: 1061

THIS DOCUMENT IS THE PROPERTY OF KEYSTONE ELECTRONICS CORP. AND SHALL NOT BE REPRODUCED, DISTRIBUTED OR USED AS A BASIS FOR MANUFACTURE WITHOUT PRIOR WRITTEN PERMISSION FROM KEYSTONE ELECTRONICS CORP.

X-ON Electronics

Largest Supplier of Electrical and Electronic Components

Click to view similar products for [Battery Contacts](#) category:

Click to view products by [Keystone](#) manufacturer:

Other Similar products are found below :

[3.5MM-UNIVERSAL-CONTACT](#) [120220-0311](#) [101267-209](#) [009155003001013](#) [RRC-MC21-90-10](#) [1011-1](#) [2470RB](#) [2472RB](#) [2983TR](#) [72](#)
[1189](#) [120](#) [120220-0202](#) [120220-0206](#) [1241](#) [120220-0204](#) [120220-0210](#) [117](#) [111](#) [497](#) [5203](#) [5219](#) [5225](#) [550](#) [553](#) [555](#) [556](#) [202-02970-](#)
[00518](#) [009155002100006](#) [009155002101006](#) [009155002201006](#) [009155002301006](#) [009155002402006](#) [009155002541006](#) [009155002852006](#)
[009155003001016](#) [009155003002016](#) [009155003003016](#) [009155003100006](#) [009155003101006](#) [009155003201006](#) [009155003301006](#)
[009155003401006](#) [009155003402006](#) [009155003541006](#) [009155003852006](#) [009155004002016](#) [009155004003016](#) [009155004201006](#)
[009155004301006](#)