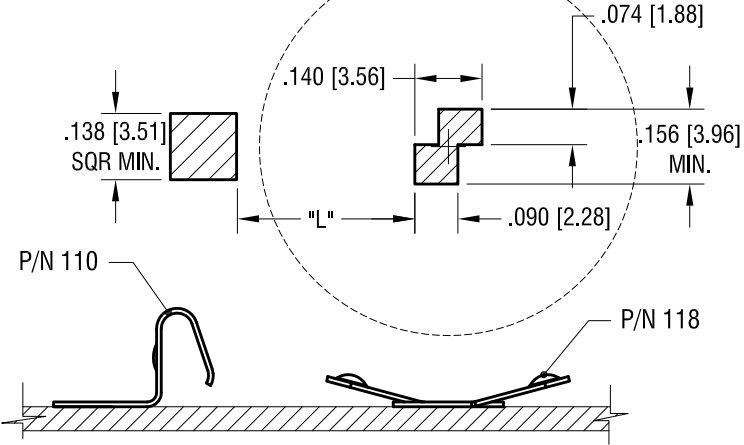


THIS DOCUMENT IS THE PROPERTY OF KEYSTONE ELECTRONICS CORP. AND SHALL NOT BE REPRODUCED, DISTRIBUTED OR USED AS A BASIS FOR MANUFACTURE WITHOUT PRIOR WRITTEN PERMISSION FROM KEYSTONE ELECTRONICS CORP.

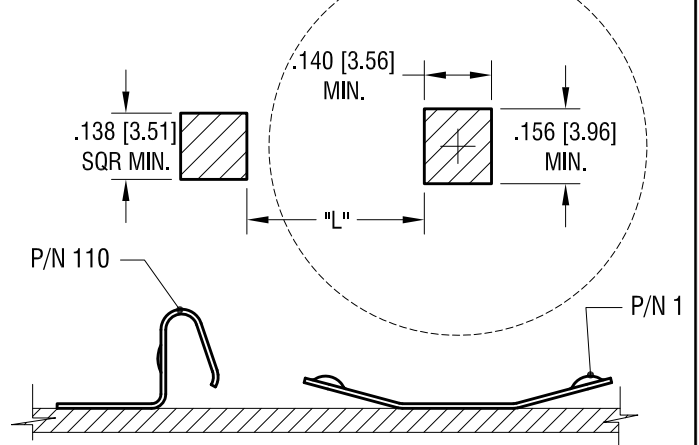
COIN CELL TO BE CENTERED ON NEGATIVE CONTACT



MTG LAY OUT WHEN USE WITH P/N 118

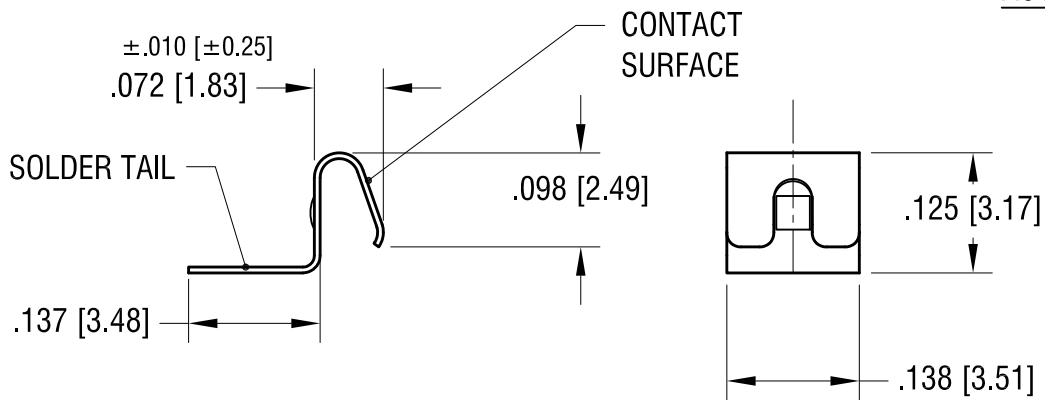
| BATTERY DIA. | L |
|--------------|------------|
| 12mm | .213 [5.4] |
| 16mm | .291 [7.4] |

COIN CELL TO BE CENTERED ON NEGATIVE CONTACT



MTG LAY OUT WHEN USE WITH P/N 112

| BATTERY DIA. | L |
|--------------|-------------|
| 20mm | .370 [9.4] |
| 23mm | .429 [10.9] |
| 24mm | .448 [11.4] |
| 30mm | .567 [14.4] |



ACTUAL SIZE

| DATE | DESCRIPTION | REV. |
|----------|--------------------------|------|
| 9.21.15 | CHANGE AS PER ECN 15-106 | F |
| 12.11.14 | CHANGE AS PER ECN14-120 | E |
| 9.30.14 | CHANGE AS PER ECN14-105 | D |
| 7.24.14 | CHANGE AS PER ECN14-076 | C |
| 1.29.14 | CHANGE AS PER ECN14-011 | B |
| 12.02.13 | CHANGE AS PER ECN 13-105 | A |

| | | |
|--|-----------------|------------|
| KEYSTONE ELECTRONICS CORP. | | |
| www.keyelco.com • NEW HYDE PARK, NY 11040 • Tel (516) 328-7500 | | |
| PART NAME | | |
| POSITIVE BATTERY CONTACT | | |
| MATERIAL | | |
| .006 [0.15] TH'K STAINLESS STEEL | | |
| FINISH | | DRN BY |
| GOLD PLATE | | NT |
| | | DATE |
| | | 10.07.13 |
| | | APP'D |
| | | SCALE |
| | | 5X |
| TOLERANCES | INCH [MM] | CODE |
| DECIMAL | ± .005 [± 0.13] | C |
| ANGULAR | ± 1° | |
| UNLESS OTHERWISE SPECIFIED | | |
| DWG NO. | | 110 |

X-ON Electronics

Largest Supplier of Electrical and Electronic Components

Click to view similar products for [Battery Contacts](#) category:

Click to view products by [Keystone](#) manufacturer:

Other Similar products are found below :

[3.5MM-UNIVERSAL-CONTACT](#) [120220-0311](#) [101267-209](#) [009155003001013](#) [72](#) [1189](#) [120](#) [120220-0202](#) [120220-0206](#) [1241](#) [120220-0204](#) [120220-0210](#) [117](#) [111](#) [497](#) [5203](#) [5219](#) [5225](#) [550](#) [553](#) [555](#) [556](#) [202-02970-00518](#) [009155002100006](#) [009155002101006](#)
[009155002201006](#) [009155002301006](#) [009155002401006](#) [009155002402006](#) [009155002541006](#) [009155002852006](#) [009155003001016](#)
[009155003002016](#) [009155003003016](#) [009155003101006](#) [009155003201006](#) [009155003301006](#) [009155003401006](#) [009155003402006](#)
[009155003541006](#) [009155003852006](#) [009155004002016](#) [009155004003016](#) [009155004201006](#) [009155004301006](#) [009155004401006](#)
[009155004402006](#) [009155004852006](#) [009155005001016](#) [009155005002016](#)