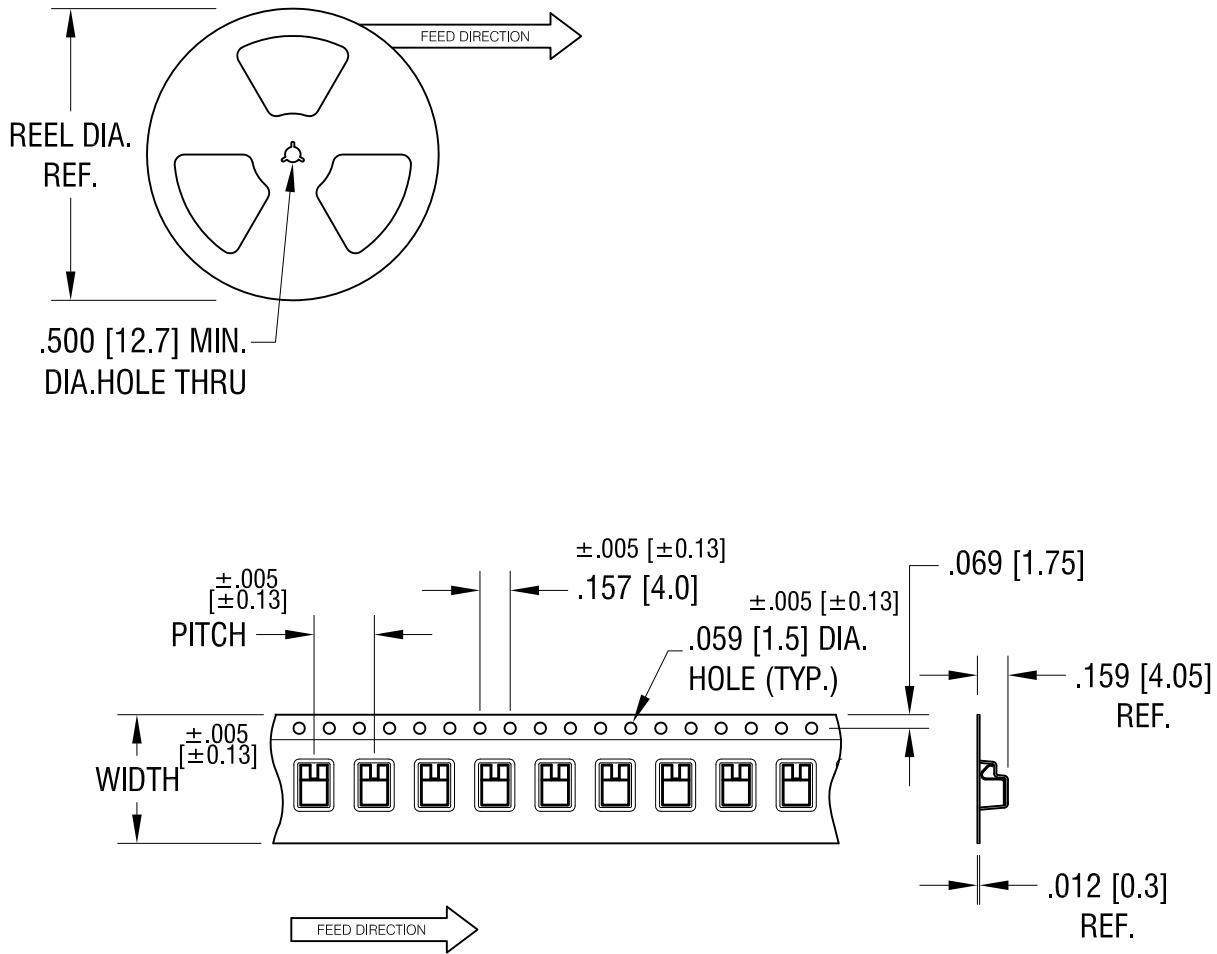


THIS DOCUMENT IS THE PROPERTY OF KEYSTONE ELECTRONICS CORP. AND SHALL NOT BE REPRODUCED, DISTRIBUTED OR USED AS A BASIS FOR MANUFACTURE WITHOUT PRIOR WRITTEN PERMISSION FROM KEYSTONE ELECTRONICS CORP.



NOTE:

1. TAPE AND REEL SPECIFICATIONS:

TAPE: MAT'L - ALL CONDUCTIVE POLYSTYRENE CARRIER
ANSI/EIA-481 STANDARD, 16 MM WIDE; 8 MM PITCH

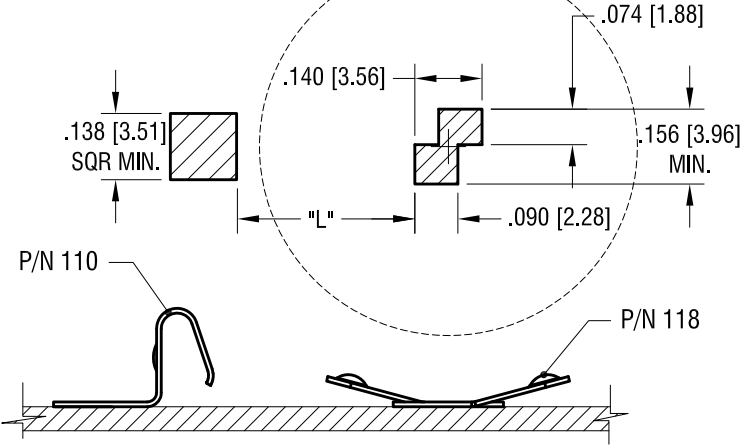
REEL: 13.0 [1330] DIA. 2000 PIECES OF P/N 110 REV. E PER REEL.

| | | |
|----------|--------------------------|------|
| 12.11.14 | CHANGE AS PER ECN 14-122 | A |
| DATE | DESCRIPTION | REV. |

| | | | |
|---|---------------|--------------------------|--------------|
| KEYSTONE ELECTRONICS CORP. | | | |
| www.keyelco.com • ASTORIA, N.Y. 11105-2017 • Tel (718) 956-8900 | | | |
| PART NAME | | CONTACT ON TAPE AND REEL | |
| MATERIAL | | AS NOTED | |
| FINISH | | DRN BY | DATE |
| AS NOTED | | HAMILTON | 10.07.13 |
| | | APP'D | SCALE |
| | | | N/A |
| TOLERANCES | INCH [MM] | CODE | DWG NO. |
| DECIMAL | ±.010 [±0.25] | C | 110TR |
| ANGULAR | ± 1° | | |
| UNLESS OTHERWISE SPECIFIED | | | |

THIS DOCUMENT IS THE PROPERTY OF KEYSTONE ELECTRONICS CORP. AND SHALL NOT BE REPRODUCED, DISTRIBUTED OR USED AS A BASIS FOR MANUFACTURE WITHOUT PRIOR WRITTEN PERMISSION FROM KEYSTONE ELECTRONICS CORP.

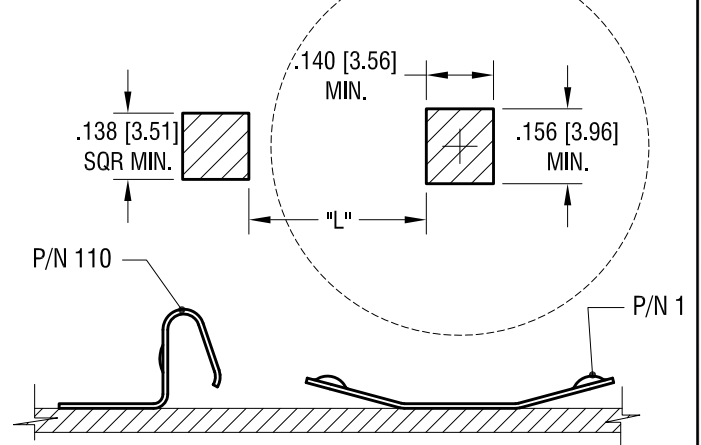
COIN CELL TO BE CENTERED ON NEGATIVE CONTACT



MTG LAY OUT WHEN USE WITH P/N 118

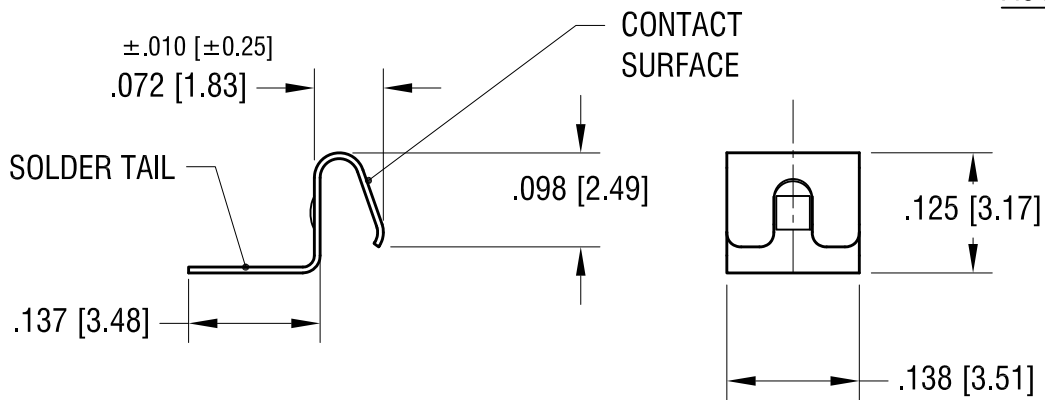
| BATTERY DIA. | L |
|--------------|------------|
| 12mm | .213 [5.4] |
| 16mm | .291 [7.4] |

COIN CELL TO BE CENTERED ON NEGATIVE CONTACT



MTG LAY OUT WHEN USE WITH P/N 112

| BATTERY DIA. | L |
|--------------|-------------|
| 20mm | .370 [9.4] |
| 23mm | .429 [10.9] |
| 24mm | .448 [11.4] |
| 30mm | .567 [14.4] |



| DATE | DESCRIPTION | REV. |
|----------|--------------------------|------|
| 9.21.15 | CHANGE AS PER ECN 15-106 | F |
| 12.11.14 | CHANGE AS PER ECN14-120 | E |
| 9.30.14 | CHANGE AS PER ECN14-105 | D |
| 7.24.14 | CHANGE AS PER ECN14-076 | C |
| 1.29.14 | CHANGE AS PER ECN14-011 | B |
| 12.02.13 | CHANGE AS PER ECN 13-105 | A |

| | | |
|--|-----------------|------------|
| KEYSTONE ELECTRONICS CORP. | | |
| www.keyelco.com • NEW HYDE PARK, NY 11040 • Tel (516) 328-7500 | | |
| PART NAME | | |
| POSITIVE BATTERY CONTACT | | |
| MATERIAL | | |
| .006 [0.15] TH'K STAINLESS STEEL | | |
| FINISH | | DRN BY |
| GOLD PLATE | | NT |
| | | DATE |
| | | 10.07.13 |
| | | APP'D |
| | | SCALE |
| | | 5X |
| TOLERANCES | INCH [MM] | CODE |
| DECIMAL | ± .005 [± 0.13] | C |
| ANGULAR | ± 1° | |
| UNLESS OTHERWISE SPECIFIED | | DWG NO. |
| | | 110 |

X-ON Electronics

Largest Supplier of Electrical and Electronic Components

Click to view similar products for [Cylindrical Battery Contacts, Clips, Holders & Springs](#) category:

Click to view products by [Keystone](#) manufacturer:

Other Similar products are found below :

[753-00001](#) [12BH36A-GR](#) [200](#) [183](#) [270](#) [QX3506](#) [5220](#) [5230](#) [1055](#) [1088](#) [5250](#) [166](#) [591](#) [1044](#) [KT0008](#) [1119](#) [254TR](#) [5207](#) [1121](#) [246](#)
[4027003022001-PK](#) [1012](#) [1020](#) [1024](#) [1024C](#) [1075](#) [1077](#) [1080](#) [1088](#) [1090](#) [1096](#) [1097](#) [1098](#) [1109](#) [1126](#) [1127](#) [1128](#) [1162](#) [1173](#) [147](#) [148](#)
[150](#) [151](#) [152](#) [153](#) [154](#) [155](#) [169](#) [171](#) [175](#)