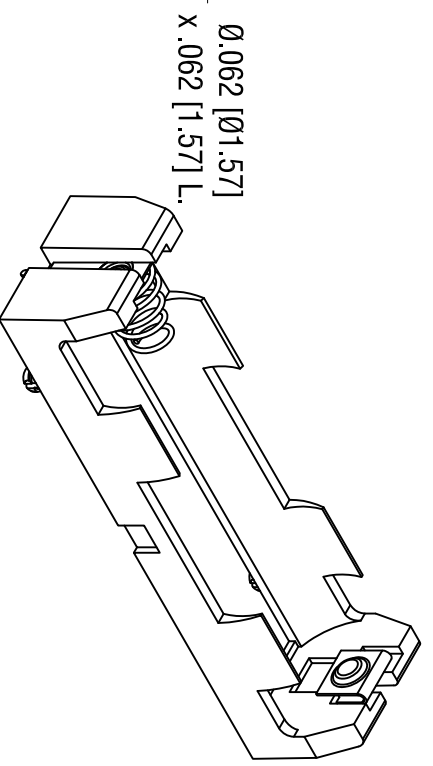
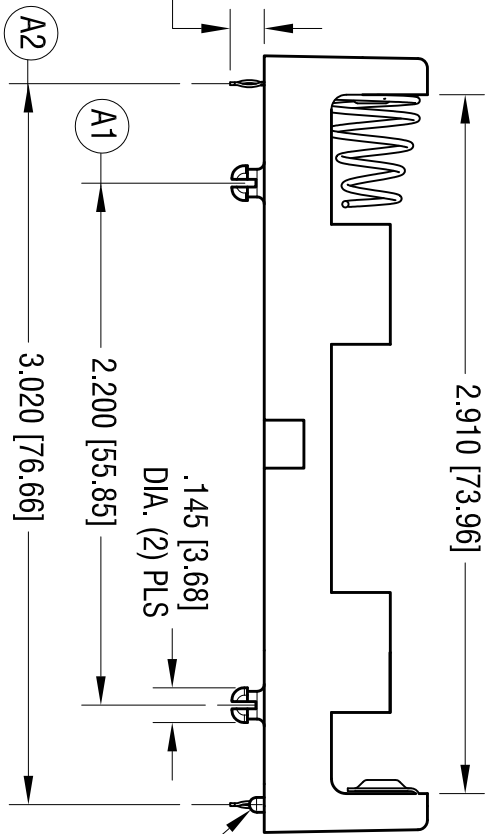
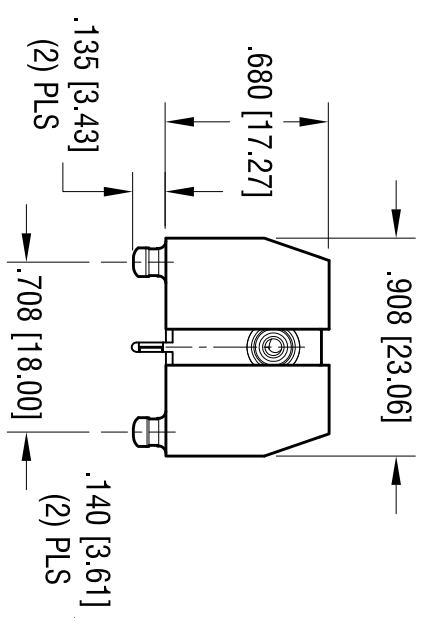
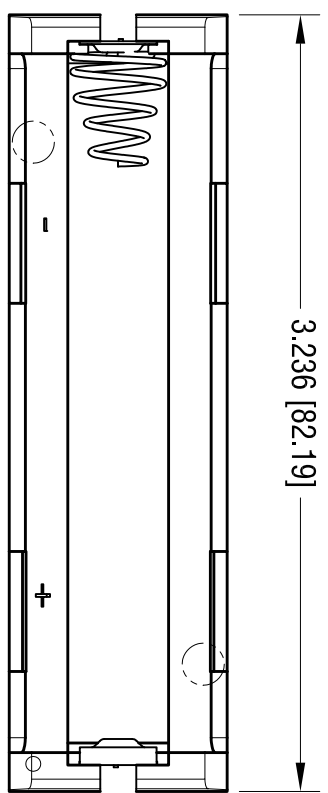
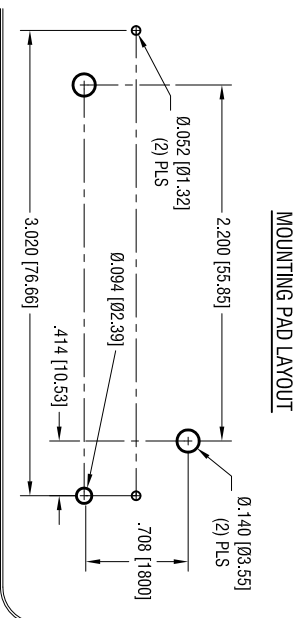


Mounting Pad Layout



DATE	DESCRIPTION	REV.
4.13.20	CHANGE AS PER ECN 20-040	A
	(A1) WAS 2.175 [55.20]	
	(A2) WAS 3.004 [76.30]	

- NOTE:
- BASE:
MATERIAL: HEAT RESISTANT NYLON
STANLYL 46 OR EQUIVALENT
 - CONTACT:
MATERIAL: .012 [0.30] THK STAINLESS STEEL
FINISH: NICKEL PLATE

- SPRING:
MATERIAL: .027 [0.68] DIA. MUSIC WIRE
FINISH: NICKEL PLATE
- SPRING EYELETED TO BASE
- SUPPLIED ON TRAY (50 PCS PER TRAY)

THIS DOCUMENT IS THE PROPERTY OF KEYSTONE ELECTRONICS CORP. AND SHALL NOT BE REPRODUCED, DISTRIBUTED OR USED AS A BASIS FOR MANUFACTURE WITHOUT PRIOR WRITTEN PERMISSION FROM KEYSTONE ELECTRONICS CORP.

KEYSTONE ELECTRONICS CORP.			
www.keystone.com • NEW HYDE PARK, NY 11040 • Tel (516) 328-7500			
PART NAME			
THM BATTERY HOLDER FOR 20700 & 21700			
MATERIAL			
AS NOTED			
FINISH		AS NOTED	
AS NOTED		AS NOTED	
TOLERANCES	INCH	[MM]	CODE
DECIMAL	± .010	[± .025]	C
ANGULAR	± 1°		
UNLESS OTHERWISE SPECIFIED			
DRN BY	NT	DATE	9.07.18
APP'D		SCALE	1.25X
		DWG NO.	1121

X-ON Electronics

Largest Supplier of Electrical and Electronic Components

Click to view similar products for [Cylindrical Battery Contacts, Clips, Holders & Springs](#) category:

Click to view products by [Keystone](#) manufacturer:

Other Similar products are found below :

[753-00001](#) [12BH36A-GR](#) [200](#) [183](#) [270](#) [QX3506](#) [5220](#) [5230](#) [1055](#) [1088](#) [5250](#) [166](#) [591](#) [1044](#) [KT0008](#) [1119](#) [254TR](#) [5207](#) [1121](#) [246](#)
[4027003022001-PK](#) [1012](#) [1020](#) [1024](#) [1024C](#) [1075](#) [1077](#) [1080](#) [1088](#) [1090](#) [1096](#) [1097](#) [1098](#) [1109](#) [1126](#) [1127](#) [1128](#) [1162](#) [1173](#) [147](#) [148](#)
[150](#) [151](#) [152](#) [153](#) [154](#) [155](#) [169](#) [171](#) [175](#)