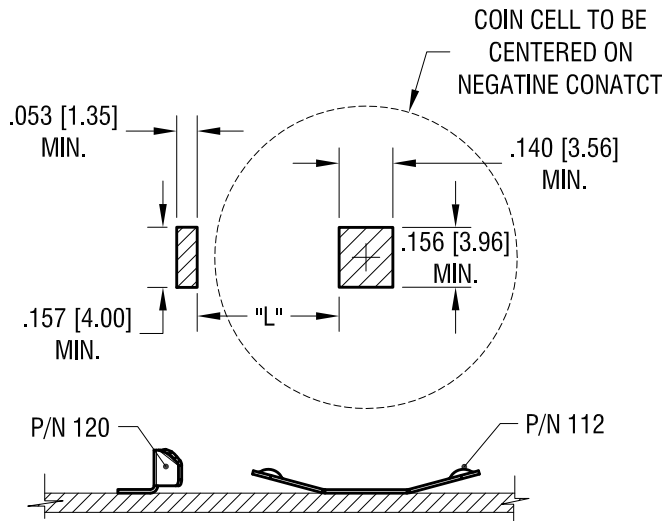
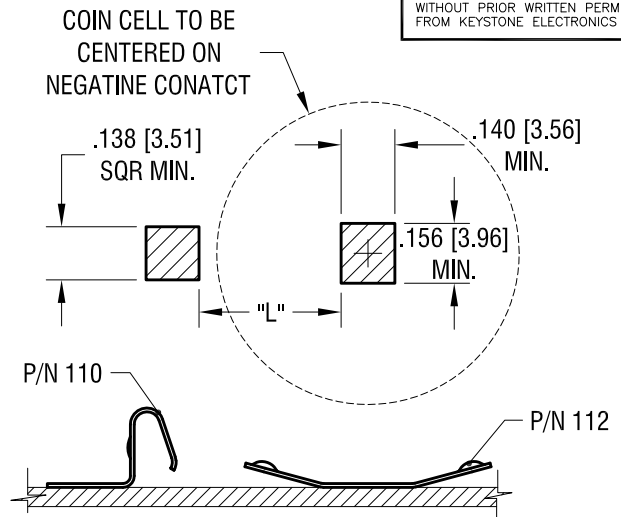


THIS DOCUMENT IS THE PROPERTY OF KEYSTONE ELECTRONICS CORP. AND SHALL NOT BE REPRODUCED, DISTRIBUTED OR USED AS A BASIS FOR MANUFACTURE WITHOUT PRIOR WRITTEN PERMISSION FROM KEYSTONE ELECTRONICS CORP.



MTG LAY OUT WHEN USE WITH P/N 120

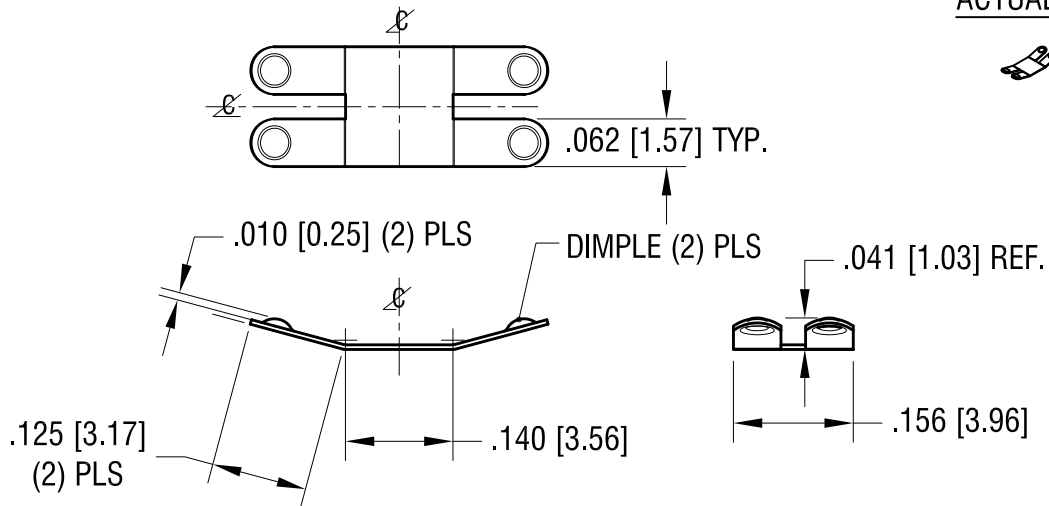
BATTERY DIA.	L
20mm	.336 [8.5]
23mm	.395 [10.0]
24mm	.413 [10.5]



MTG LAY OUT WHEN USE WITH P/N 110

BATTERY DIA.	L
20mm	.370 [9.4]
23mm	.429 [10.9]
24mm	.448 [11.4]
30mm	.567 [14.4]

ACTUAL SIZE



11.13.15	CHANGE AS PER ECN 15-134	F
9.21.15	CHANGE AS PER ECN 15-104	E
12.11.14	CHANGE AS PER ECN 14-121	D
7.24.14	CHANGE AS PER ECN 14-075	C
1.29.14	CHANGE AS PER ECN 14-011	B
12.02.13	CHANGE AS PER ECN 13-104	A
DATE	DESCRIPTION	REV.

KEYSTONE ELECTRONICS CORP.		
www.keyelco.com • NEW HYDE PARK, NY 11040 • Tel (516) 328-7500		
PART NAME NEGATIVE BATTERY CONTACT		
MATERIAL .006 [0.15] TH'K STAINLESS STEEL		
FINISH GOLD PLATE	DRN BY NT	DATE 10.07.13
	APP'D	SCALE 4X
TOLERANCES INCH [MM] DECIMAL ± .005 [± 0.13] ANGULAR ± 1° UNLESS OTHERWISE SPECIFIED	CODE C	DWG NO. 112

X-ON Electronics

Largest Supplier of Electrical and Electronic Components

Click to view similar products for [Battery Contacts](#) category:

Click to view products by [Keystone](#) manufacturer:

Other Similar products are found below :

[3.5MM-UNIVERSAL-CONTACT](#) [120220-0311](#) [101267-209](#) [009155003001013](#) [72](#) [1189](#) [120](#) [120220-0202](#) [120220-0206](#) [1241](#) [120220-0204](#) [120220-0210](#) [117](#) [111](#) [497](#) [5203](#) [5219](#) [5225](#) [550](#) [553](#) [555](#) [556](#) [202-02970-00518](#) [009155002100006](#) [009155002101006](#)
[009155002201006](#) [009155002301006](#) [009155002401006](#) [009155002402006](#) [009155002541006](#) [009155002852006](#) [009155003001016](#)
[009155003002016](#) [009155003003016](#) [009155003101006](#) [009155003201006](#) [009155003301006](#) [009155003401006](#) [009155003402006](#)
[009155003541006](#) [009155003852006](#) [009155004002016](#) [009155004003016](#) [009155004201006](#) [009155004301006](#) [009155004401006](#)
[009155004402006](#) [009155004852006](#) [009155005001016](#) [009155005002016](#)