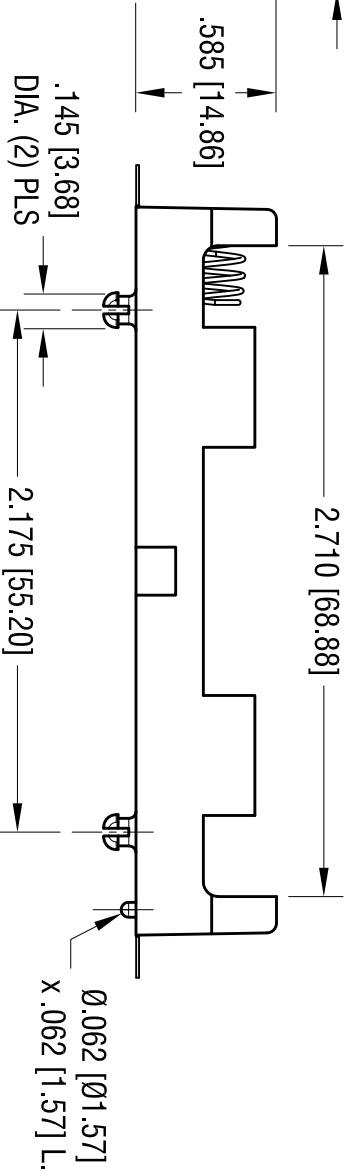
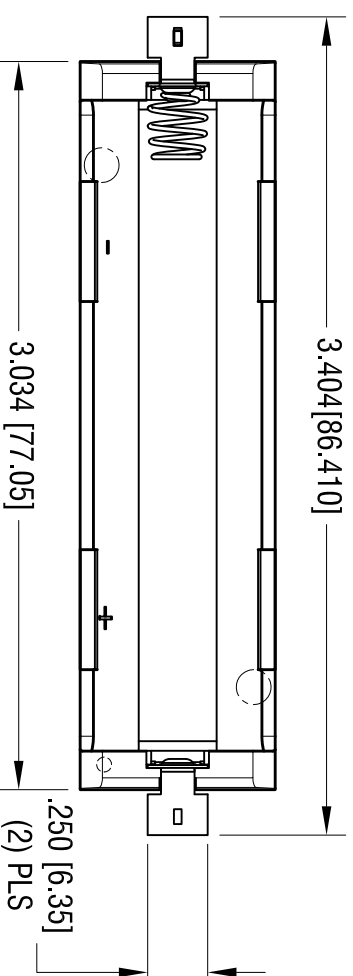
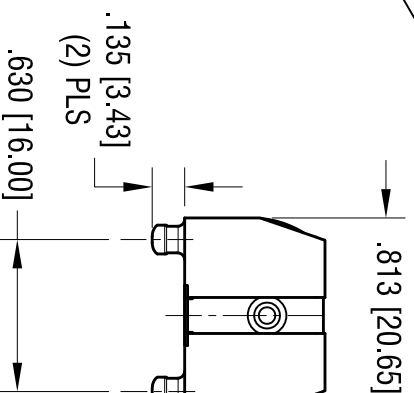
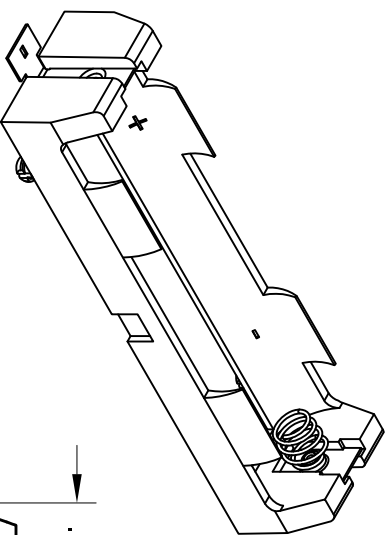
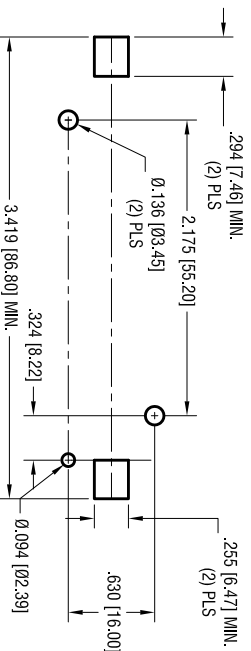


DATE

DESCRIPTION

REV.

MOUNTING PAD LAYOUT



NOTE:

1. BASE:

MAT'L: HEAT RESISTANCE NYLON
STANYL 46 OR EQUIVALENT

2. POSITIVE CONTACT:

MAT'L: .012 [0.30] THK STAINLESS STEEL
FINISH: GOLD FLASH, OVER NICKEL PLATE

2. NEGATIVE CONTACT:

BASE MAT'L: .012 [0.30] THK STAINLESS STEEL
SPRING MAT'L: .020 [0.50] DIA. MUSIC WIRE

FINISH: GOLD FLASH, OVER NICKEL PLATE

THIS DOCUMENT IS THE PROPERTY OF
KEYSTONE ELECTRONICS CORP. AND
SHALL NOT BE REPRODUCED, DISTRIBUTED
OR USED AS A BASIS FOR MANUFACTURE
WITHOUT PRIOR WRITTEN PERMISSION
FROM KEYSTONE ELECTRONICS CORP.

KEYSTONE ELECTRONICS CORP.

www.keye/co.com • NEW HYDE PARK, NY 11040 • Tel (516) 328-7500

PART NAME

SM BATTERY HOLDER, 18650

MATERIAL

AS NOTED

FINISH

AS NOTED

TOLERANCES INCH [MM]
DECIMAL ± .010 [± 0.25]
ANGULAR ± 1°

CODE

C DWG NO.

1130

DRN BY

NT

DATE

12.14.18

APP'D

SCALE

1.25X

X-ON Electronics

Largest Supplier of Electrical and Electronic Components

Click to view similar products for [Cylindrical Battery Contacts, Clips, Holders & Springs](#) category:

Click to view products by [Keystone](#) manufacturer:

Other Similar products are found below :

[753-00001](#) [12BH36A-GR](#) [200](#) [183](#) [270](#) [QX3506](#) [5220](#) [5230](#) [1055](#) [1088](#) [5250](#) [166](#) [591](#) [1044](#) [KT0008](#) [1119](#) [254TR](#) [5207](#) [1121](#) [246](#)
[4027003022001-PK](#) [12BHC186P2-GR](#) [1012](#) [1020](#) [1024](#) [1024C](#) [1075](#) [1077](#) [1080](#) [1088](#) [1090](#) [1096](#) [1097](#) [1098](#) [1109](#) [1126](#) [1127](#) [1128](#)
[1162](#) [1173](#) [147](#) [148](#) [149](#) [150](#) [151](#) [152](#) [153](#) [154](#) [155](#) [169](#)