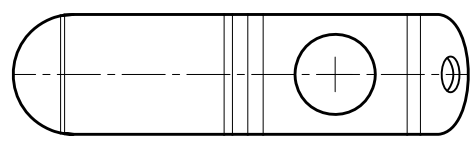
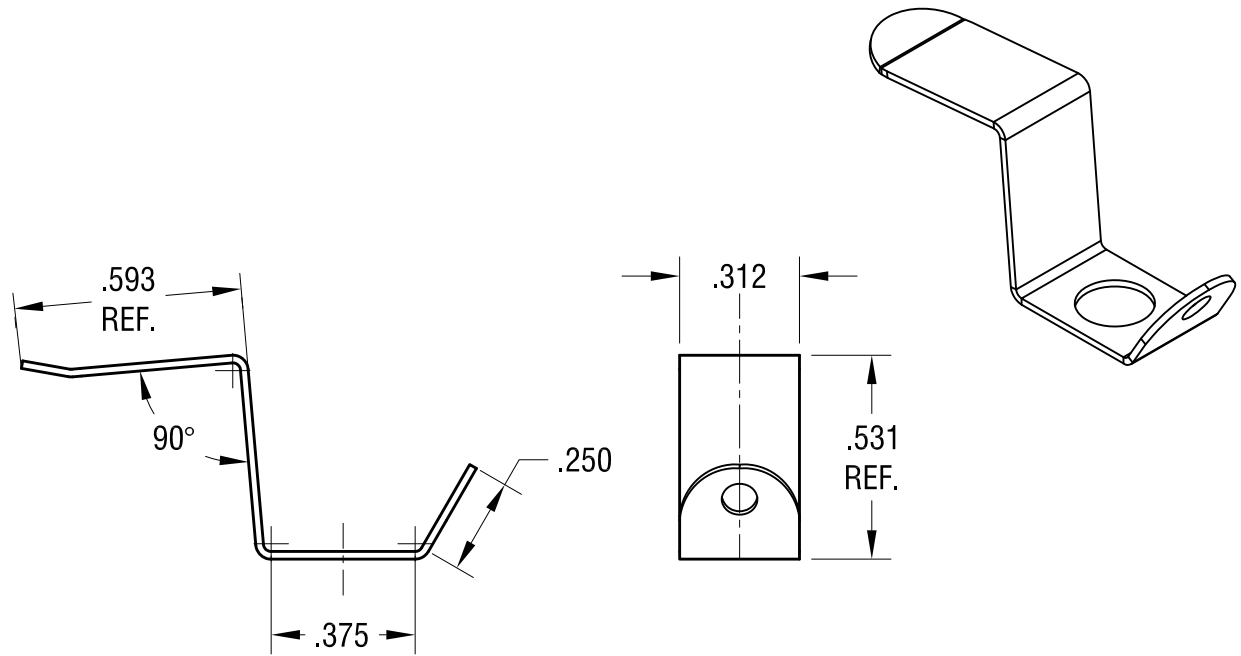
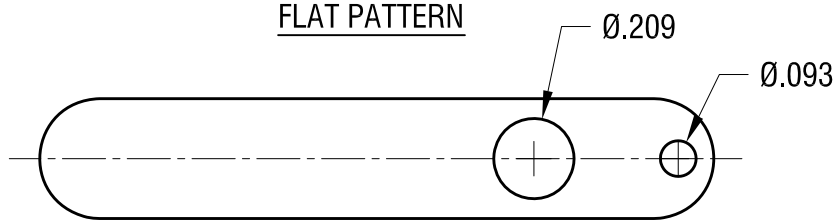


THIS DOCUMENT IS THE PROPERTY OF
KEYSTONE ELECTRONICS CORP. AND
SHALL NOT BE REPRODUCED, DISTRIBUTED
OR USED AS A BASIS FOR MANUFACTURE
WITHOUT PRIOR WRITTEN PERMISSION
FROM KEYSTONE ELECTRONICS CORP.



FLAT PATTERN



| | | | |
|---|--------|------------|------------|
| KEYSTONE ELECTRONICS CORP. | | | |
| www.keyelco.com • ASTORIA, N.Y. 11105-2017 • Tel (718) 956-8900 | | | |
| PART NAME | | TOP SPRING | |
| MATERIAL | | | |
| .020 [0.50] TH'K PHOSPHOR BRONZE | | | |
| FINISH | | DRN BY | DATE |
| NICKEL PLATE | | NT | 9.15.10 |
| | | APP'D | SCALE |
| | | | 2X |
| TOLERANCES | INCH | [MM] | CODE |
| DECIMAL | ± .010 | [± 0.25] | C |
| ANGULAR | ± 1° | | |
| UNLESS OTHERWISE SPECIFIED | | | DWG NO. |
| | | | 113 |

| | | |
|------|-------------|------|
| DATE | DESCRIPTION | REV. |
| | | |

X-ON Electronics

Largest Supplier of Electrical and Electronic Components

Click to view similar products for [Battery Contacts](#) category:

Click to view products by [Keystone](#) manufacturer:

Other Similar products are found below :

[3.5MM-UNIVERSAL-CONTACT](#) [120220-0311](#) [101267-209](#) [009155003001013](#) [72](#) [1189](#) [120](#) [120220-0202](#) [120220-0206](#) [1241](#) [120220-0204](#) [120220-0210](#) [117](#) [111](#) [497](#) [5203](#) [5219](#) [5225](#) [550](#) [553](#) [555](#) [556](#) [202-02970-00518](#) [009155002100006](#) [009155002101006](#)
[009155002201006](#) [009155002301006](#) [009155002401006](#) [009155002402006](#) [009155002541006](#) [009155002852006](#) [009155003001016](#)
[009155003002016](#) [009155003003016](#) [009155003101006](#) [009155003201006](#) [009155003301006](#) [009155003401006](#) [009155003402006](#)
[009155003541006](#) [009155003852006](#) [009155004002016](#) [009155004003016](#) [009155004201006](#) [009155004301006](#) [009155004401006](#)
[009155004402006](#) [009155004852006](#) [009155005001016](#) [009155005002016](#)