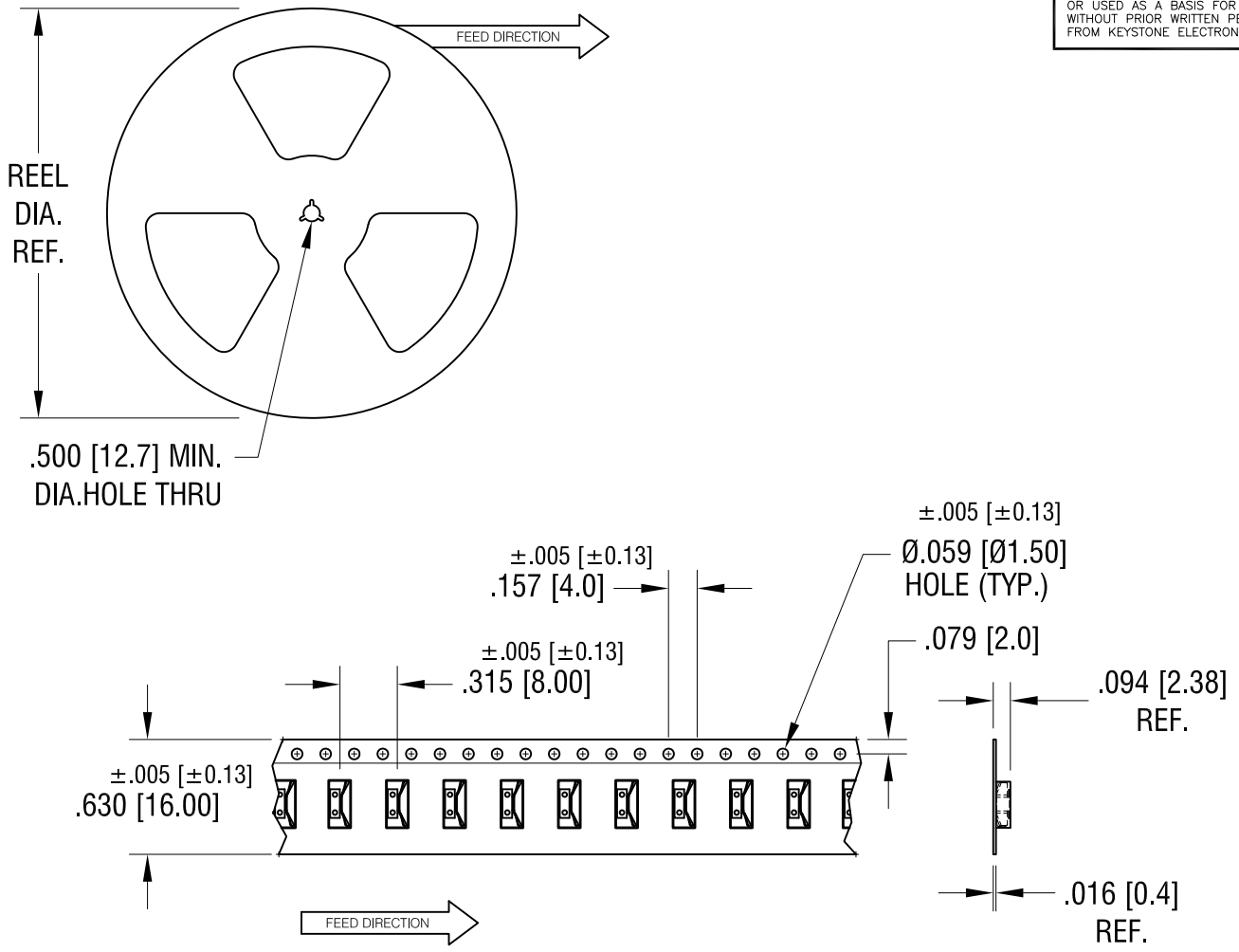


THIS DOCUMENT IS THE PROPERTY OF KEYSTONE ELECTRONICS CORP. AND SHALL NOT BE REPRODUCED, DISTRIBUTED OR USED AS A BASIS FOR MANUFACTURE WITHOUT PRIOR WRITTEN PERMISSION FROM KEYSTONE ELECTRONICS CORP.



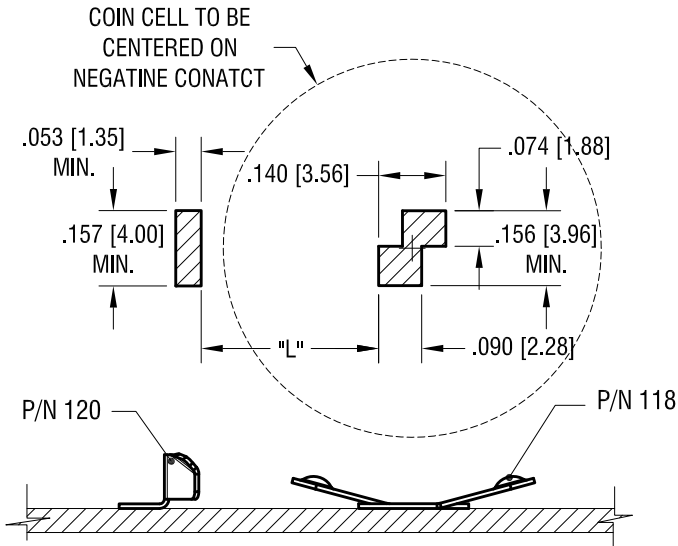
**NOTES:**

- 1. TAPE:  
MAT'L - ALL CONDUCTIVE POLYSTYRENE CARRIER  
ANSI/EIA-481 STANDARD
- 2. REEL:  
13.0 [330.0] DIA. REEL HOLDS 3000 PIECES  
OF PART NUMBER 120

12.27.18	CHANGE AS PER ECN 18-049	B
9.14.15	CHANGE AS PER ECN 15-090	A
DATE	DESCRIPTION	REV.

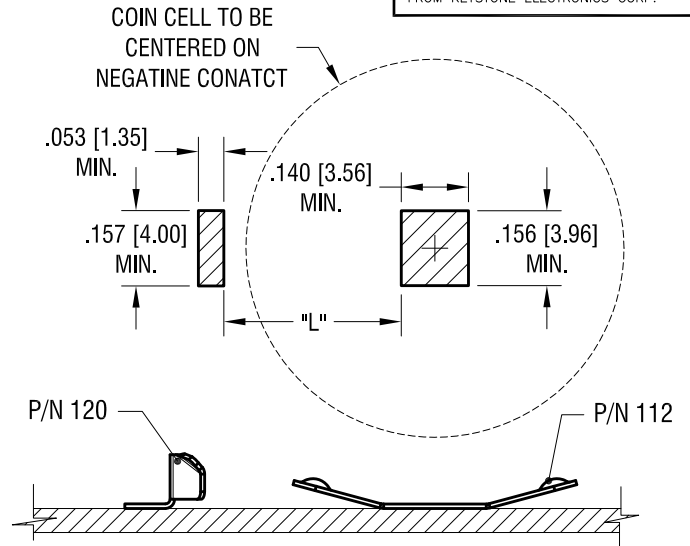
<b>KEYSTONE ELECTRONICS CORP.</b>			
www.keyelco.com • NEW HYDE PARK, NY 11040 • Tel (516) 328-7500			
PART NAME BATTERY CONTACT ON TAPE AND REEL			
MATERIAL AS NOTED			
FINISH AS NOTED		DRN BY NT	DATE 8.19.15
		APP'D	SCALE X
TOLERANCES DECIMAL ANGULAR	INCH [MM] ± .015 [± 0.38] ± 1°	CODE C	DWG NO. 120TR
UNLESS OTHERWISE SPECIFIED			

THIS DOCUMENT IS THE PROPERTY OF KEYSTONE ELECTRONICS CORP. AND SHALL NOT BE REPRODUCED, DISTRIBUTED OR USED AS A BASIS FOR MANUFACTURE WITHOUT PRIOR WRITTEN PERMISSION FROM KEYSTONE ELECTRONICS CORP.



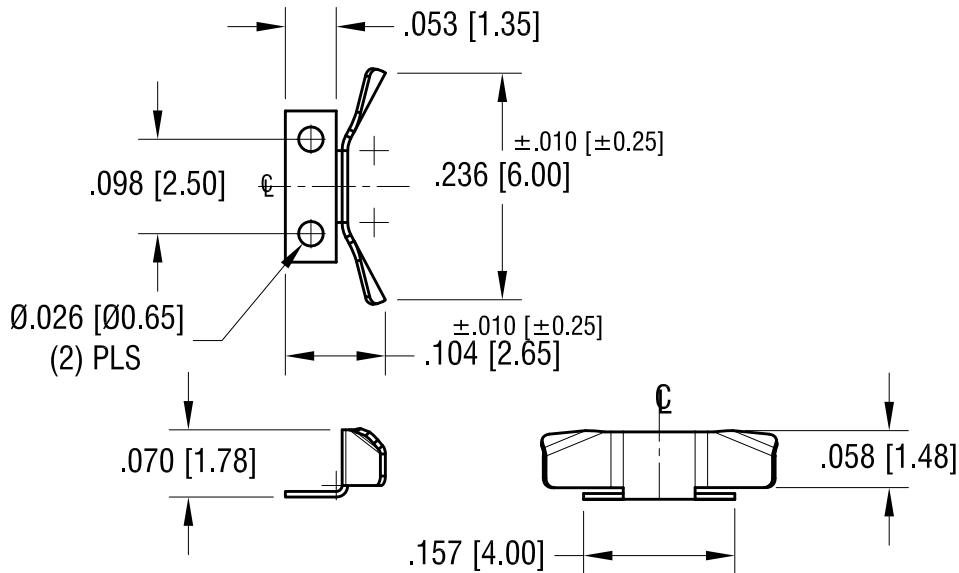
MTG LAY OUT WHEN USE WITH P/N 118

BATTERY DIA.	L
12mm	.178 [4.5]
16mm	.257 [6.5]



MTG LAY OUT WHEN USE WITH P/N 112

BATTERY DIA.	L
20mm	.336 [8.5]
23mm	.395 [10.0]
24mm	.413 [10.5]



DATE	DESCRIPTION	REV.
11.09.15	CHANGE AS PER ECN15-132	C
11.02.15	CHANGE AS PER ECN15-129	B
9.21.15	CHANGE AS PER ECR 15-105	A

**KEYSTONE ELECTRONICS CORP.**  
 www.keyelco.com • NEW HYDE PARK, NY 11040 • Tel (516) 328-7500

PART NAME: POSITIVE BATTERY CONTACT

MATERIAL: .006 [0.15] TH'K STAINLESS STEEL

FINISH: GOLD PLATE

DRN BY: NT DATE: 8.21.15

APP'D: SCALE: 5X

TOLERANCES INCH [MM]  
 DECIMAL ± .005 [± 0.13]  
 ANGULAR ± 1°  
 UNLESS OTHERWISE SPECIFIED

CODE: C DWG NO.: 120

## X-ON Electronics

Largest Supplier of Electrical and Electronic Components

*Click to view similar products for [Battery Contacts](#) category:*

*Click to view products by [Keystone](#) manufacturer:*

Other Similar products are found below :

[3.5MM-UNIVERSAL-CONTACT](#) [120220-0311](#) [101267-209](#) [009155003001013](#) [72](#) [1189](#) [120](#) [120220-0202](#) [120220-0206](#) [1241](#) [120220-0204](#) [120220-0210](#) [117](#) [111](#) [497](#) [5203](#) [5219](#) [5225](#) [550](#) [553](#) [555](#) [556](#) [202-02970-00518](#) [009155002100006](#) [009155002101006](#)  
[009155002201006](#) [009155002301006](#) [009155002401006](#) [009155002402006](#) [009155002541006](#) [009155002852006](#) [009155003001016](#)  
[009155003002016](#) [009155003003016](#) [009155003101006](#) [009155003201006](#) [009155003301006](#) [009155003401006](#) [009155003402006](#)  
[009155003541006](#) [009155003852006](#) [009155004002016](#) [009155004003016](#) [009155004201006](#) [009155004301006](#) [009155004401006](#)  
[009155004402006](#) [009155004852006](#) [009155005001016](#) [009155005002016](#)