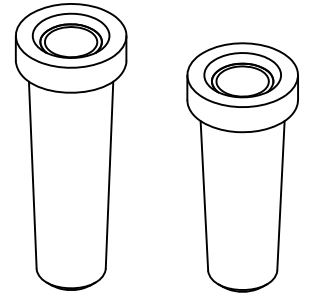
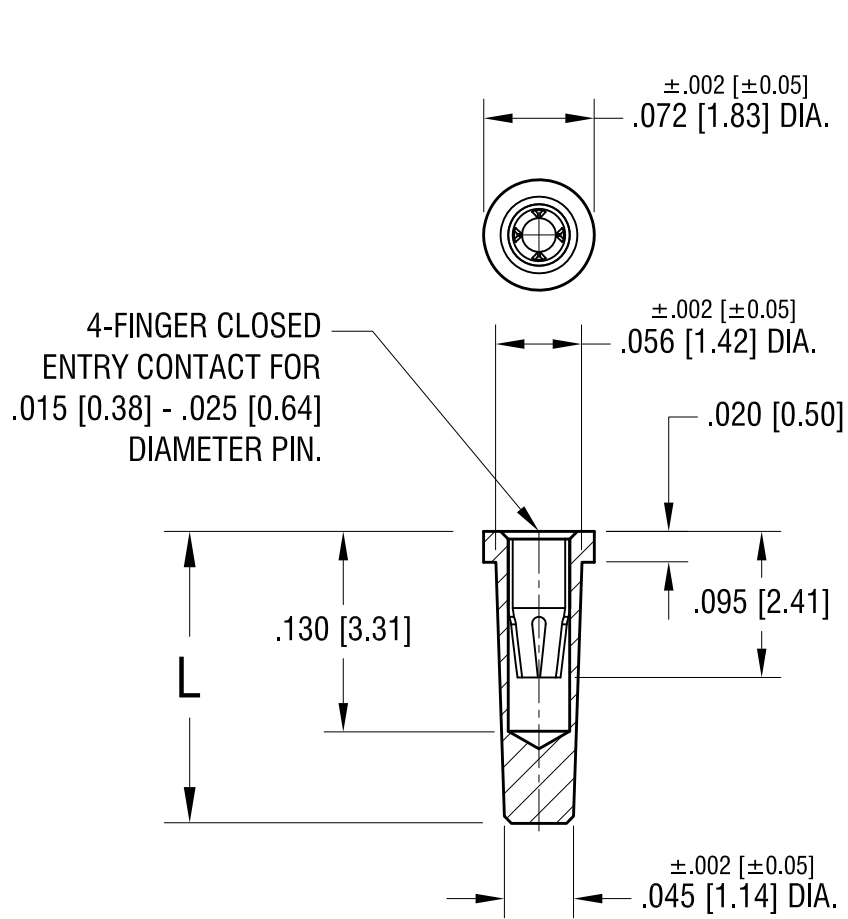


THIS DOCUMENT IS THE PROPERTY OF KEYSTONE ELECTRONICS CORP. AND SHALL NOT BE REPRODUCED, DISTRIBUTED OR USED AS A BASIS FOR MANUFACTURE WITHOUT PRIOR WRITTEN PERMISSION FROM KEYSTONE ELECTRONICS CORP.



NOTES:

1. BODY: MAT'L - BRASS  
SPRING CONTACT: MAT'L - BERYLLIUM COPPER
2. MOUNTING HOLE DIA.: .055 [1.40]

| PART NO. | 'L' DIM.    |
|----------|-------------|
| 1435-1   | .160 [4.06] |
| 1435-2   | .190 [4.83] |

|         |                          |      |
|---------|--------------------------|------|
| 8.30.11 | CHANGE AS PER ECN 11-119 | A    |
| DATE    | DESCRIPTION              | REV. |

|   |                 |        |                 |
|---|-----------------|--------|-----------------|
| <b>KEYSTONE ELECTRONICS CORP.</b>                               |                 |        |                 |
| www.keyelco.com • ASTORIA, N.Y. 11105-2017 • Tel (718) 956-8900 |                 |        |                 |
| PART NAME   |                 |        |                 |
| MICRO JACK, TAPER-FIT   |                 |        |                 |
| MATERIAL  |                 |        |                 |
| AS NOTED  |                 |        |                 |
| FINISH  |                 | DRN BY | DATE            |
| TIN/LEAD PLATE  |                 | BOONE  | 2.15.07         |
|   |                 | APP'D  | SCALE           |
|   |                 |        | 8X              |
| TOLERANCES  | INCH [MM]       | CODE   | DWG NO.         |
| DECIMAL   | ± .005 [± 0.13] | C/M    | 1435-1 - 1435-2 |
| ANGULAR   | ± 1°            |        |                 |
| UNLESS OTHERWISE SPECIFIED                                      |                 |        |                 |

## X-ON Electronics

Largest Supplier of Electrical and Electronic Components

*Click to view similar products for [Circuit Board Hardware - PCB category](#):*

*Click to view products by [Keystone manufacturer](#):*

Other Similar products are found below :

[8919-0-00-15-00-00-03-0](#) [0135-0-15-01-30-27-04-0](#) [5970-1-15-01-32-14-04-0](#) [0149-0-15-15-30-27-04-0](#) [MBI 1 BLUE](#) [7305-0-15-15-47-14-10-0](#) [MLN 150/1 BLACK](#) [8579-0-15-80-11-27-10-0](#) [8579-1-15-15-11-27-10-0](#) [8830-0-15-01-22-14-10-0](#) [8836-0-00-21-00-00-03-0](#) [PRUEF 2 RED](#) [9976-0-00-00-00-00-03-0](#) [PW1616](#) [1215-3-05-00-00-00-01-0](#) [1231](#) [1303-0-15-15-47-14-04-0](#) [1404-3](#) [1404-4](#) [1406-4](#) [1407-3](#) [1406-3](#) [1407-4](#) [1408-3](#) [1424-4](#) [1427-3](#) [1419-4](#) [1426-4](#) [1548-103](#) [1938-0-00-00-00-00-03-0](#) [1942-0-00-00-00-00-03-0](#) [2101-3-00-44-00-00-07-0](#) [2108-2-00-50-00-00-07-0](#) [2109-2-00-44-00-00-07-0](#) [2110-2-00-44-00-00-07-0](#) [2111-2-00-00-00-00-07-0](#) [2113-4-00-44-00-00-07-0](#) [2301-3-00-44-00-00-07-0](#) [2308-1-00-50-00-00-07-0](#) [2313-2-00-00-00-00-07-0](#) [2315-2-01-44-00-00-07-0](#) [2333-1-00-50-00-00-07-0](#) [9000-0-00-00-00-00-03-0](#) [2506-2-00-50-00-00-07-0](#) [2507-2-01-44-00-00-07-0](#) [2508-2-00-44-00-00-07-0](#) [2561-2-00-44-00-00-07-0](#) [9220](#) [9234-0-15-15-30-14-10-0](#) [LAS S G BLACK](#)