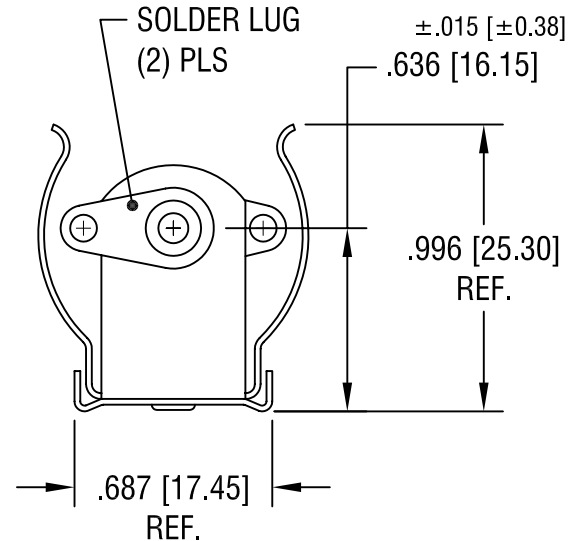
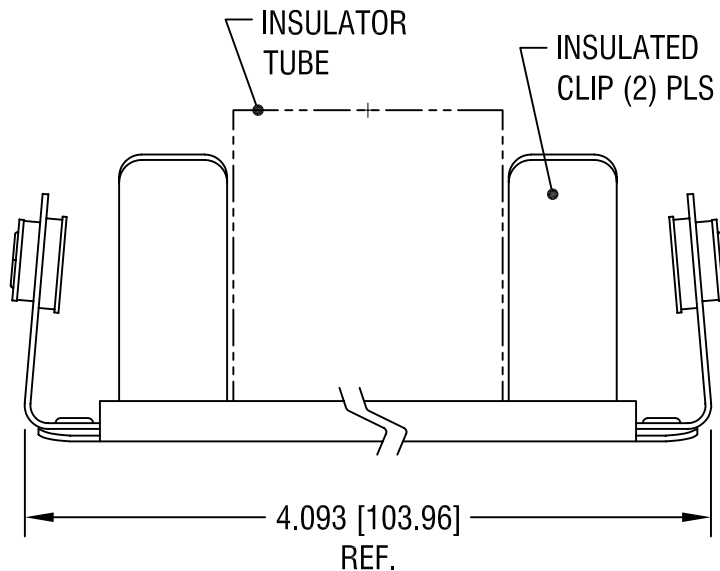
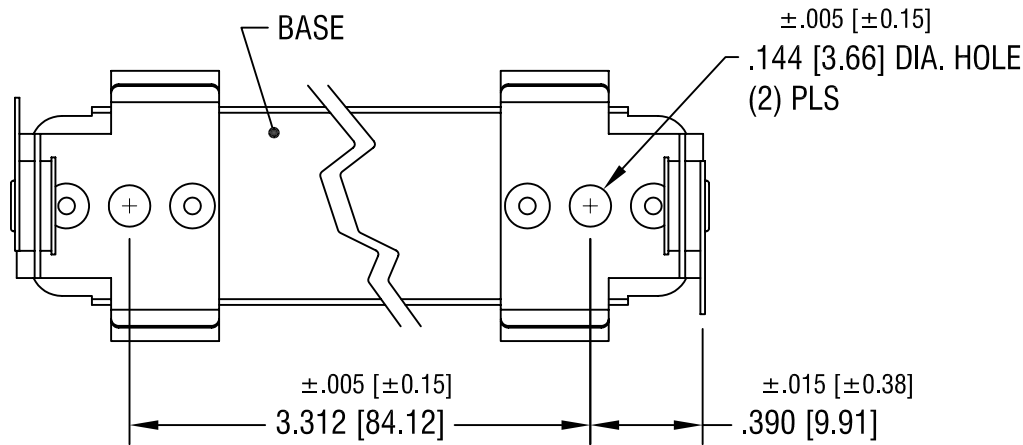


THIS DOCUMENT IS THE PROPERTY OF  
KEYSTONE ELECTRONICS CORP. AND  
SHALL NOT BE REPRODUCED, DISTRIBUTED  
OR USED AS A BASIS FOR MANUFACTURE  
WITHOUT PRIOR WRITTEN PERMISSION  
FROM KEYSTONE ELECTRONICS CORP.



NOTES:

- 1. BASE: MAT'L - STAINLESS STEEL
- CLIP: MAT'L - SPRING STEEL  
FINISH - NICKEL PLATE
- LUG: MAT'L - BRASS  
FINISH - TIN PLATE
- TUBE: MAT'L - WOUND PAPER, BLACK

**KEYSTONE ELECTRONICS CORP.**

ASTORIA, N.Y. 11105-2017

|                                   |               |                |        |
|-----------------------------------|---------------|----------------|--------|
| PART NAME                         |               |                |        |
| INSULATED BATTERY HOLDER, (2) 'C' |               |                |        |
| MATERIAL                          |               |                |        |
| AS NOTED                          |               |                |        |
| FINISH                            |               | DRN BY         | DATE   |
| AS NOTED                          |               | BOONE          | 8.9.82 |
|                                   |               | APP'D          | SCALE  |
|                                   |               |                | 1.5X   |
| TOLERANCES                        | INCH          | [MM]           | CODE   |
| DECIMAL                           | $\pm .010$    | [ $\pm 0.25$ ] | C      |
| ANGULAR                           | $\pm 1^\circ$ |                |        |
| UNLESS OTHERWISE SPECIFIED        |               |                |        |
| DWG NO.                           |               |                |        |
|                                   |               |                | 2185   |

|          |             |      |
|----------|-------------|------|
| 10.29.92 | REVISED     | A    |
| DATE     | DESCRIPTION | REV. |

## X-ON Electronics

Largest Supplier of Electrical and Electronic Components

*Click to view similar products for [Cylindrical Battery Contacts, Clips, Holders & Springs](#) category:*

*Click to view products by [Keystone](#) manufacturer:*

Other Similar products are found below :

[753-00001](#) [12BH36A-GR](#) [200](#) [183](#) [270](#) [QX3506](#) [5220](#) [5230](#) [1055](#) [1088](#) [5250](#) [166](#) [591](#) [1044](#) [KT0008](#) [1119](#) [254TR](#) [5207](#) [1121](#) [246](#)  
[4027003022001-PK](#) [1012](#) [1020](#) [1024](#) [1024C](#) [1075](#) [1077](#) [1080](#) [1088](#) [1090](#) [1096](#) [1097](#) [1098](#) [1109](#) [1126](#) [1127](#) [1128](#) [1162](#) [1173](#) [147](#) [148](#)  
[150](#) [151](#) [152](#) [153](#) [154](#) [155](#) [169](#) [171](#) [175](#)