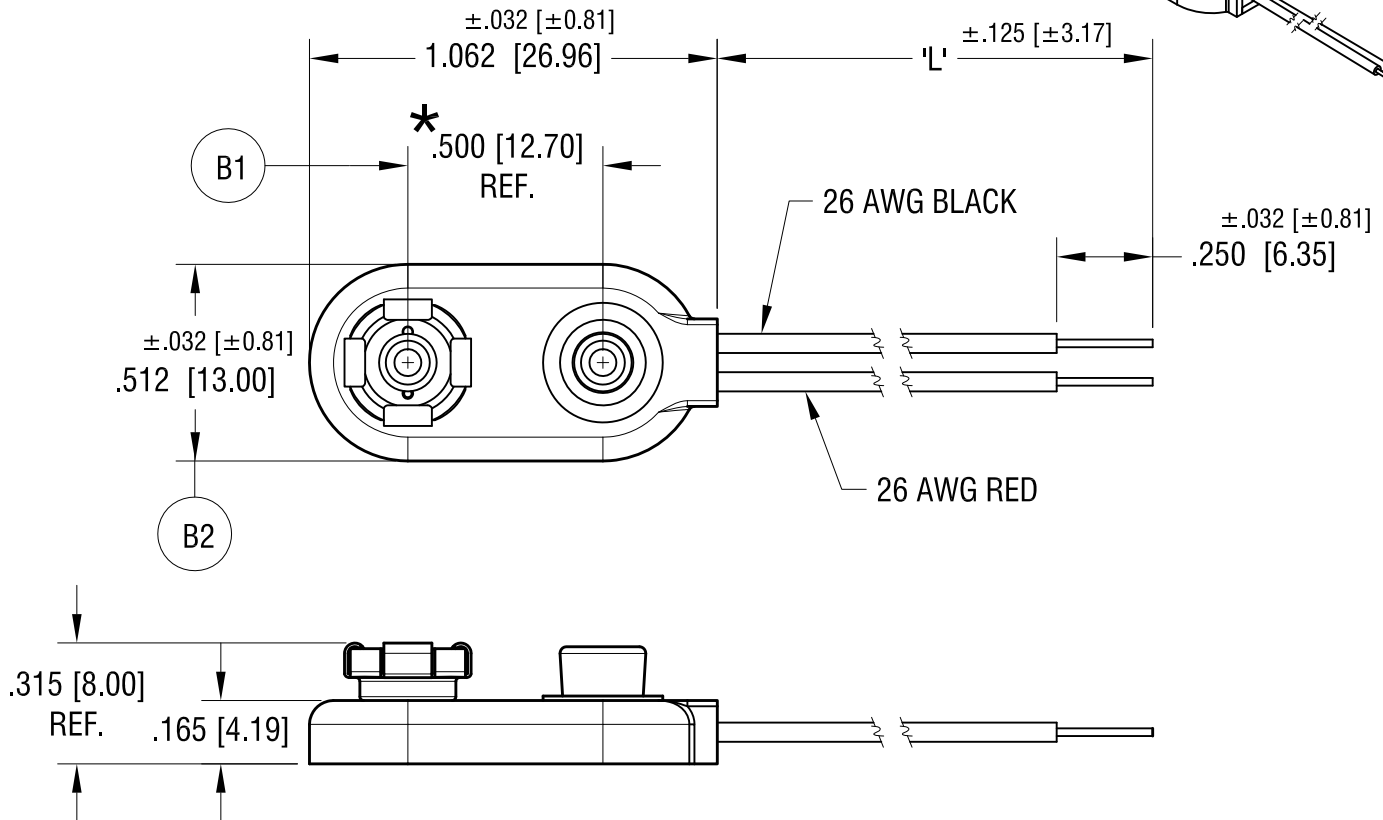
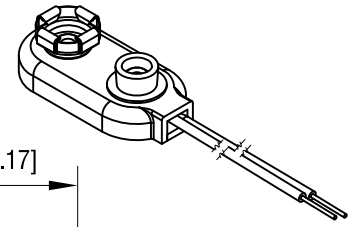


THIS DOCUMENT IS THE PROPERTY OF KEYSTONE ELECTRONICS CORP. AND SHALL NOT BE REPRODUCED, DISTRIBUTED OR USED AS A BASIS FOR MANUFACTURE WITHOUT PRIOR WRITTEN PERMISSION FROM KEYSTONE ELECTRONICS CORP.

ACTUAL SIZE



NOTE:

1. MAT'L - WIRE: 26 AWG, 1007 UL/CSA APPROVED
2. CONTACTS: PHOSPHOR BRONZE, NICKEL PLATE
3. BODY: MOLDED POLYETHYLENE
4. RED WIRE CONNECTED TO FEMALE CONTACT; BLACK WIRE CONNECTED TO MALE CONTACT.
5. ★ REF. DIMENSION MUST FIT INDUSTRY STANDARD 9 VOLT BATTERY.

PART NO.	'L' DIM.
2238	4.000 [101.60]
2239	6.000 [152.40]
2240	8.000 [203.20]

DATE	DESCRIPTION	REV.
8.23.21	(B1) AWS .512+.015/-0.005, ADD NOT ECN 21-095, (B2) WAS .512±.020	5. B
3.10.05	CHANGE AS PER ECN 05-016	A

KEYSTONE ELECTRONICS CORP.			
www.keyelco.com • NEW HYDE PARK, NY 11040 • Tel (516) 328-7500			
PART NAME			
PREMIUM '9' VOLT 'I' STYLE BATTERY STRAP			
MATERIAL			
AS NOTED			
FINISH		DRN BY	DATE
AS NOTED		BOONE	8.08.95
		APP'D	SCALE
			2X
TOLERANCES	INCH [MM]	CODE	DWG NO.
DECIMAL	$\pm .005 [\pm 0.13]$	C	2238-2240
ANGULAR	$\pm 1^\circ$		
UNLESS OTHERWISE SPECIFIED			

X-ON Electronics

Largest Supplier of Electrical and Electronic Components

Click to view similar products for [9V Battery Snaps & Contacts](#) category:

Click to view products by [Keystone](#) manufacturer:

Other Similar products are found below :

[139B](#) [173P](#) [274](#) [532-SWH](#) [266](#) [1295](#) [12BC2202-GR](#) [271](#) [12BH615D-GR](#) [121-0624/O-GR](#) [636](#) [67](#) [68](#) [72](#) [724](#) [79](#) [856](#) [265](#) [967](#) [968](#) [80](#)
[BX0023](#) [BX0026](#) [BX0033](#) [1290](#) [1290-79](#) [1291](#) [1291-79](#) [1294](#) [203-P](#) [2239](#) [2240](#) [229](#) [232](#) [232-M](#) [233](#) [233-M](#) [234](#) [234-M](#) [235](#) [235-M](#)
[237-M](#) [245](#) [261](#) [263](#) [264](#) [269](#) [272](#) [303-P](#) [593](#)