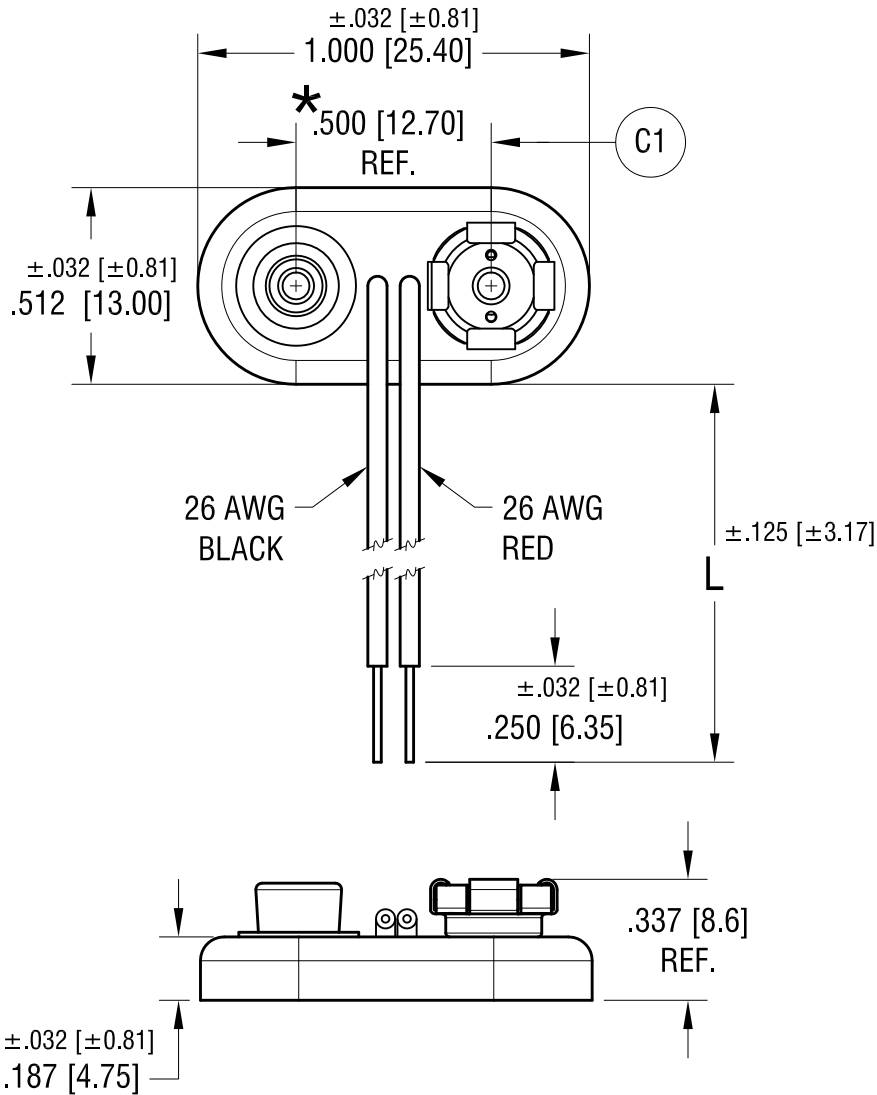
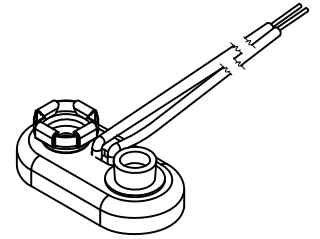


THIS DOCUMENT IS THE PROPERTY OF KEYSTONE ELECTRONICS CORP. AND SHALL NOT BE REPRODUCED, DISTRIBUTED OR USED AS A BASIS FOR MANUFACTURE WITHOUT PRIOR WRITTEN PERMISSION FROM KEYSTONE ELECTRONICS CORP.



ACTUAL SIZE



NOTE:

1. MAT'L - WIRE: 26 AWG, 1007 UL/CSA APPROVED
2. CONTACTS: PHOSPHOR BRONZE, NICKEL PLATE
3. BODY: MOLDED POLYETHYLENE
4. RED WIRE CONNECTED TO FEMALE CONTACT;
BLACK WIRE CONNECTED TO MALE CONTACT.
5. ★ REF. DIMENSION MUST FIT
INDUSTRY STANDARD 9 VOLT BATTERY.

| PART NO. | 'L' DIM. |
|----------|----------------|
| 2241 | 4.000 [101.60] |
| 2242 | 6.000 [152.40] |
| 2243 | 8.000 [203.20] |

| DATE | DESCRIPTION | REV. |
|---------|--|------|
| 8.23.21 | ALL OUTSIDE HAD ±.020 TOLERANCE C1 WAS .512+.015/- .005, ADD NOT 5. CHANGE AS PER ECN 21-096 | C |
| 6.1.05 | CHANGE AS PER ECN 05-029 | B |
| 3.10.05 | CHANGE AS PER ECN 05-017 | A |

KEYSTONE ELECTRONICS CORP.
 www.keyelco.com • NEW HYDE PARK, NY 11040 • Tel (516) 328-7500

PART NAME
PREMIUM '9' VOLT 'T' STYLE BATTERY STRAP

MATERIAL
AS NOTED

FINISH
AS NOTED

DRN BY: BOONE DATE: 8.08.85
 APP'D: SCALE: 2X

TOLERANCES INCH [MM]
 DECIMAL ± .020 [± 0.50]
 ANGULAR ± 1°
 UNLESS OTHERWISE SPECIFIED

CODE: C DWG NO. **2241-2243**

X-ON Electronics

Largest Supplier of Electrical and Electronic Components

Click to view similar products for [9V Battery Snaps & Contacts](#) category:

Click to view products by [Keystone](#) manufacturer:

Other Similar products are found below :

[139B](#) [173P](#) [274](#) [532-SWH](#) [266](#) [1295](#) [12BC2202-GR](#) [271](#) [12BH615D-GR](#) [121-0624/O-GR](#) [636](#) [67](#) [68](#) [72](#) [724](#) [79](#) [856](#) [265](#) [967](#) [968](#) [80](#)
[BX0023](#) [BX0026](#) [BX0033](#) [1290](#) [1290-79](#) [1291](#) [1291-79](#) [1294](#) [203-P](#) [2239](#) [2240](#) [229](#) [232](#) [232-M](#) [233](#) [233-M](#) [234](#) [234-M](#) [235](#) [235-M](#)
[237-M](#) [245](#) [261](#) [263](#) [264](#) [269](#) [272](#) [303-P](#) [593](#)