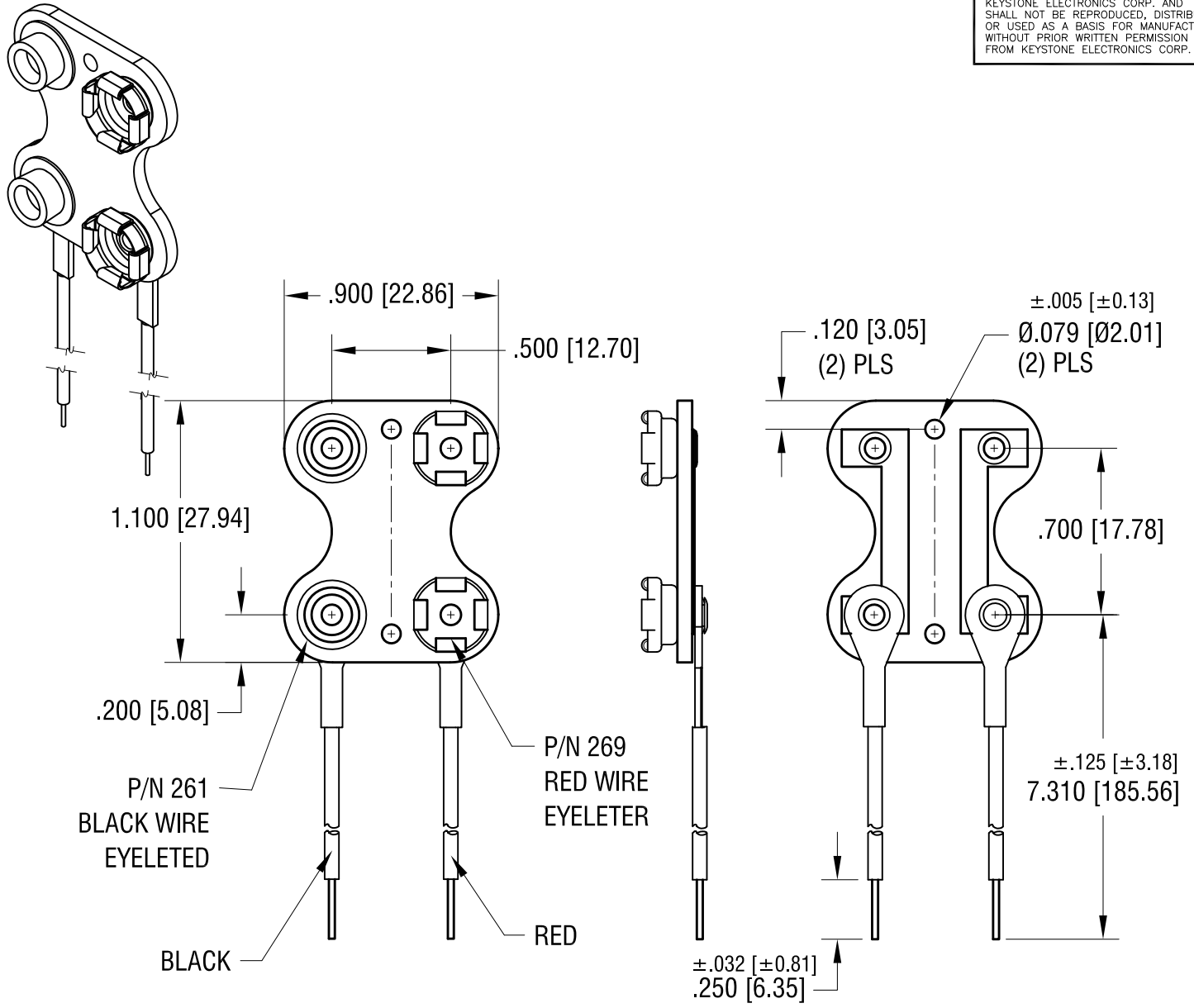


THIS DOCUMENT IS THE PROPERTY OF KEYSTONE ELECTRONICS CORP. AND SHALL NOT BE REPRODUCED, DISTRIBUTED OR USED AS A BASIS FOR MANUFACTURE WITHOUT PRIOR WRITTEN PERMISSION FROM KEYSTONE ELECTRONICS CORP.



NOTES:

1. MAT'L -
 WIRE: 22 AWG, 1061 UL/CSA APPROVED
 .052 [1.32] O.D. PVC & .062 [1.57] FIBER
 INSULATION. RED WIRE EYELETED TO FEMALE
 CONTACT; BLACK WIRE EYELETED TO MALE CONTACT.
2. BASE: MAT'L- .062 [1.57] TH'K FIBRE

11.21.17	CHANGE AS PER ECN 17-069 BRING BACK TO ACTIVE FROM DISCOUNT. WITH NEW DESIGN OF WIRE CONNECTION	B
10.7.94	ECR 94-056 TOL. UPDATE	A
DATE	DESCRIPTION	REV.

KEYSTONE ELECTRONICS CORP.			
www.keyelco.com • NEW HYDE PARK, NY 11040 • Tel (516) 328-7500			
PART NAME			
'9' VOLT BATTERY STRAP-PARALLEL			
MATERIAL			
AS NOTED			
FINISH		DRN BY	DATE
AS NOTED		BOONE	2.21.91
		APP'D	SCALE
			1.5X
TOLERANCES	INCH [MM]	CODE	DWG NO.
DECIMAL	± .010 [± 0.25]	C	227
ANGULAR	± 1°		
UNLESS OTHERWISE SPECIFIED			

X-ON Electronics

Largest Supplier of Electrical and Electronic Components

Click to view similar products for [9V Battery Snaps & Contacts](#) category:

Click to view products by [Keystone](#) manufacturer:

Other Similar products are found below :

[139B](#) [173P](#) [274](#) [532-SWH](#) [266](#) [1295](#) [12BC2202-GR](#) [271](#) [12BH615D-GR](#) [121-0624/O-GR](#) [636](#) [67](#) [68](#) [72](#) [724](#) [79](#) [265](#) [967](#) [968](#) [80](#)
[BX0023](#) [BX0026](#) [BX0033](#) [1290](#) [1290-79](#) [1291](#) [1291-79](#) [1294](#) [203-P](#) [2239](#) [2240](#) [229](#) [232](#) [232-M](#) [233](#) [233-M](#) [234](#) [234-M](#) [235](#) [235-M](#)
[237-M](#) [245](#) [261](#) [263](#) [264](#) [269](#) [272](#) [303-P](#) [593](#) [594](#)