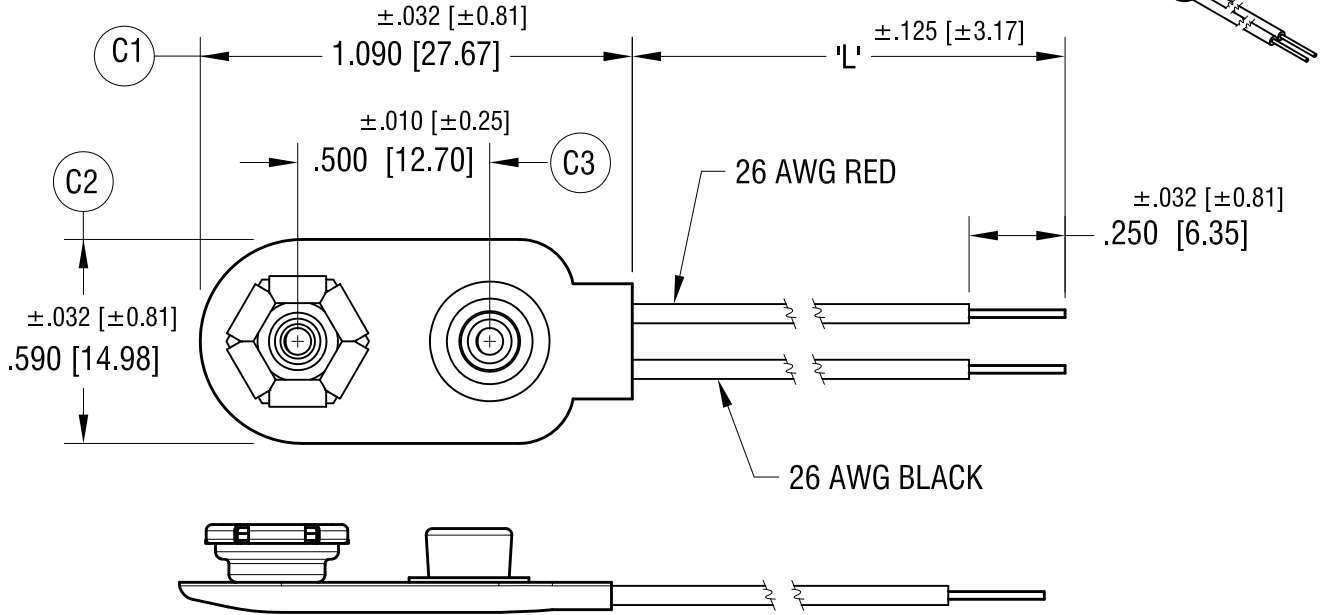


THIS DOCUMENT IS THE PROPERTY OF KEYSTONE ELECTRONICS CORP. AND SHALL NOT BE REPRODUCED, DISTRIBUTED OR USED AS A BASIS FOR MANUFACTURE WITHOUT PRIOR WRITTEN PERMISSION FROM KEYSTONE ELECTRONICS CORP.

ACTUAL SIZE



NOTE:

1. WIRE: 26 AWG, 1007 UL/CSA APPROVED
2. CONTACTS: BRASS, NICKEL PLATE
3. INSULATION : VINYL .012 [0.30] MINIMUM THICKNESS
4. RED WIRE CONNECTED TO FEMALE CONTACT;
BLACK WIRE CONNECTED TO MALE CONTACT.

PART NO.	'L' DIM.
232	4.000 [101.60]
233	6.000 [152.40]
234	8.000 [203.20]

8.11.21	(C3) WAS .500±.005 (C2) AWS .531±.015 ECN 21-082 (C1) WAS 1.125±.032	B
2.09.21	INSULATION WAS PVC CHANGE AS PER ECN 21-017	A
DATE	DESCRIPTION	REV.

KEYSTONE ELECTRONICS CORP.			
www.keyelco.com • NEW HYDE PARK, NY 11040 • Tel (516) 328-7500			
PART NAME ECONOMY '9' VOLT BATTERY STRAP			
MATERIAL AS NOTED			
FINISH AS NOTED		DRN BY BOONE	DATE 4.25.95
		APP'D	SCALE 2X
TOLERANCES DECIMAL ANGULAR	INCH [MM] ±.015 [±0.38] ± 1°	CODE C	DWG NO. 232-234
UNLESS OTHERWISE SPECIFIED			

X-ON Electronics

Largest Supplier of Electrical and Electronic Components

Click to view similar products for [9V Battery Snaps & Contacts](#) category:

Click to view products by [Keystone](#) manufacturer:

Other Similar products are found below :

[139B](#) [173P](#) [274](#) [532-SWH](#) [266](#) [1295](#) [12BC2202-GR](#) [271](#) [12BH615D-GR](#) [121-0624/O-GR](#) [636](#) [67](#) [68](#) [72](#) [724](#) [79](#) [856](#) [265](#) [967](#) [968](#) [80](#)
[BX0023](#) [BX0026](#) [BX0033](#) [1290](#) [1290-79](#) [1291](#) [1291-79](#) [1294](#) [203-P](#) [2239](#) [2240](#) [229](#) [232](#) [232-M](#) [233](#) [233-M](#) [234](#) [234-M](#) [235](#) [235-M](#)
[237-M](#) [245](#) [261](#) [263](#) [264](#) [269](#) [272](#) [303-P](#) [593](#)