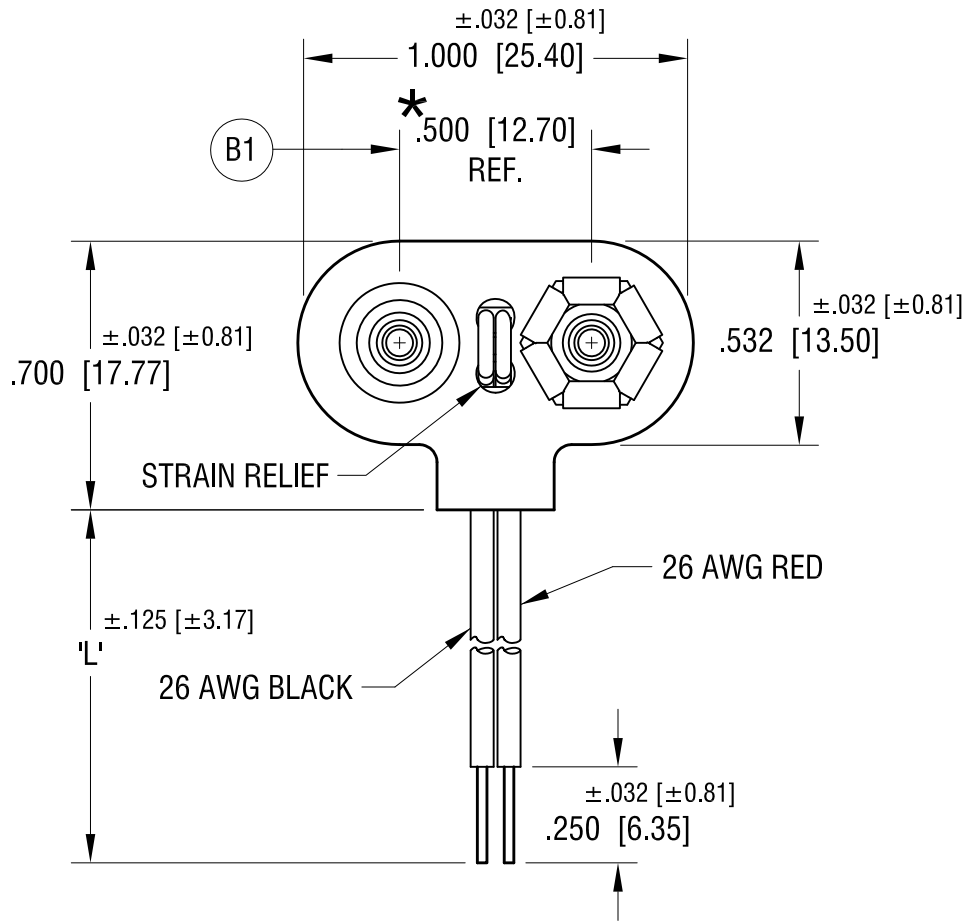
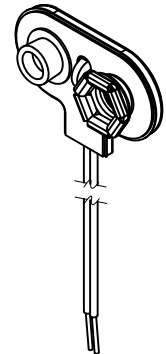


THIS DOCUMENT IS THE PROPERTY OF KEYSTONE ELECTRONICS CORP. AND SHALL NOT BE REPRODUCED, DISTRIBUTED OR USED AS A BASIS FOR MANUFACTURE WITHOUT PRIOR WRITTEN PERMISSION FROM KEYSTONE ELECTRONICS CORP.



ACTUAL SIZE



NOTE:

1. WIRE: 26 AWG, 1007 UL/CSA APPROVED
2. CONTACTS: BRASS, NICKEL PLATE
3. INSULATION: MAT'L- VINYL .012 [0.30] MINIMUM THICKNESS
4. PLATE/INSULATOR: MAT'L- FIBER .032 [0.81] THICK
5. RED WIRE CONNECTED TO FEMALE CONTACT;
BLACK WIRE CONNECTED TO MALE CONTACT.
6. * REF. DIMENSION MUST FIT
INDUSTRY STANDARD 9 VOLT BATTERY.

PART NO.	'L' DIM.
235	4.000 [101.60]
236	6.000 [152.40]
237	8.000 [203.20]

DATE	DESCRIPTION	REV.
8.23.21	(B1) WAS .500±.005, ADD NOT 6. CHANGE AS PER ECN 21-097	B
2.09.21	INSULATION WAS PVC CHANGE AS PER ECN 21-018	A

KEYSTONE ELECTRONICS CORP.
www.keyelco.com • NEW HYDE PARK, NY 11040 • Tel (516) 328-7500

PART NAME
ECONOMY '9' VOLT BATTERY STRAP

MATERIAL
AS NOTED

FINISH
AS NOTED

DRN BY: **BOONE** DATE: **8.08.95**
APP'D: SCALE: **2X**

TOLERANCES INCH [MM]
DECIMAL ± .015 [± 0.38]
ANGULAR ± 1°
UNLESS OTHERWISE SPECIFIED

CODE: **C** DWG NO. **235-237**

X-ON Electronics

Largest Supplier of Electrical and Electronic Components

Click to view similar products for [9V Battery Snaps & Contacts](#) category:

Click to view products by [Keystone](#) manufacturer:

Other Similar products are found below :

[139B](#) [173P](#) [274](#) [532-SWH](#) [266](#) [1295](#) [12BC2202-GR](#) [271](#) [12BH615D-GR](#) [121-0624/O-GR](#) [636](#) [67](#) [68](#) [72](#) [724](#) [79](#) [265](#) [967](#) [968](#) [80](#)
[BX0023](#) [BX0026](#) [BX0033](#) [1290](#) [1290-79](#) [1291](#) [1291-79](#) [1294](#) [203-P](#) [2239](#) [2240](#) [229](#) [232](#) [232-M](#) [233](#) [233-M](#) [234](#) [234-M](#) [235](#) [235-M](#)
[237-M](#) [245](#) [261](#) [263](#) [264](#) [269](#) [272](#) [303-P](#) [593](#) [594](#)