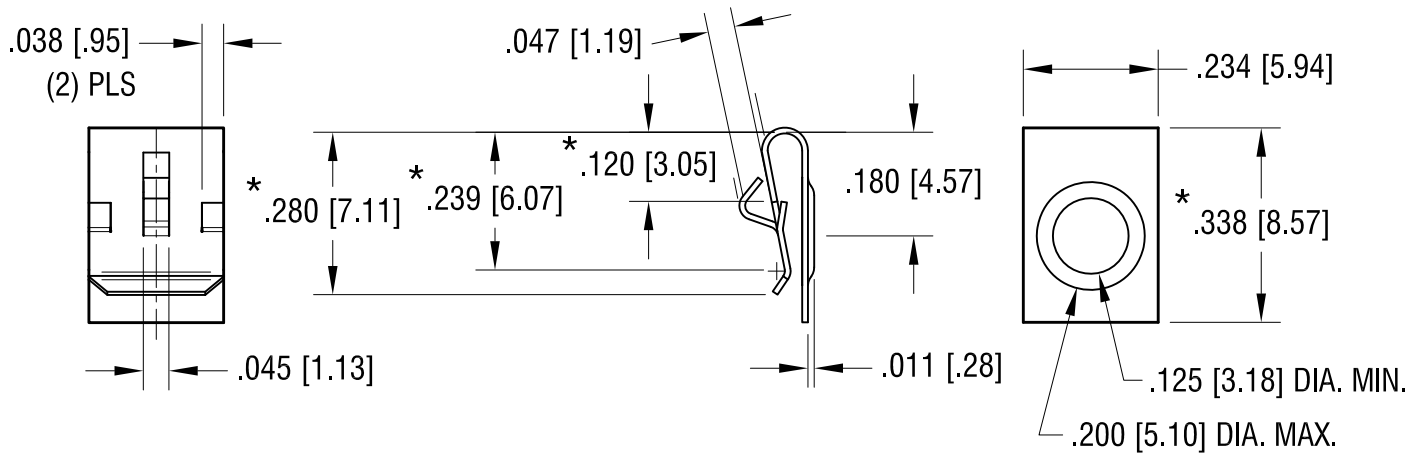


THIS DOCUMENT IS THE PROPERTY OF KEYSTONE ELECTRONICS CORP. AND SHALL NOT BE REPRODUCED, DISTRIBUTED OR USED AS A BASIS FOR MANUFACTURE WITHOUT PRIOR WRITTEN PERMISSION FROM KEYSTONE ELECTRONICS CORP.

**ACTUAL SIZE**



**NOTE:**

1. DESIGNED TO CLIP OVER PANELS FROM .060 [1.52] THRU .070 [1.78] TH'K.
2. \* DENOTES  $\pm .015$  [ $\pm .38$ ] TOLERANCE

|         |                          |      |
|---------|--------------------------|------|
| 9.09.16 | CHANGE AS PER ECN 16-084 | E    |
| 6.24.16 | CHANGE AS PER ECR 16-030 | D    |
| 8.26.13 | CHANGE AS PER ECN13-067  | C    |
| 5.20.03 | CHANGE AS PER ECN 03-039 | B    |
| 8.10.00 | CHANGE AS PER ECN 00-080 | A    |
| DATE    | DESCRIPTION              | REV. |

|  |                           |                                  |            |
|--|---------------------------|----------------------------------|------------|
| <b>KEYSTONE ELECTRONICS CORP.</b>                              |                           |                                  |            |
| www.keyelco.com • NEW HYDE PARK, NY 11040 • Tel (516) 328-7500 |                           |                                  |            |
| PART NAME  |                           | SINGLE 'AAA' - 'AAAA' CONTACT    |            |
| MATERIAL   |                           | .010 [0.25] TH'K STAINLESS STEEL |            |
| FINISH   |                           | DRN BY                           | DATE       |
| NICKEL PLATE   |                           | BOONE                            | 5.21.99    |
|  |                           | APP'D                            | SCALE      |
|  |                           |                                  | 3X         |
| TOLERANCES   | INCH [MM]                 | CODE                             | DWG NO.    |
| DECIMAL  | $\pm .010$ [ $\pm 0.25$ ] | C                                | <b>238</b> |
| ANGULAR  | $\pm 1^\circ$             |                                  |            |
| UNLESS OTHERWISE SPECIFIED                                     |                           |                                  |            |

## X-ON Electronics

Largest Supplier of Electrical and Electronic Components

*Click to view similar products for [Cylindrical Battery Contacts, Clips, Holders & Springs](#) category:*

*Click to view products by [Keystone](#) manufacturer:*

Other Similar products are found below :

[753-00001](#) [12BH36A-GR](#) [200](#) [183](#) [270](#) [QX3506](#) [5220](#) [5230](#) [1055](#) [1088](#) [5250](#) [166](#) [591](#) [KT0008](#) [1119](#) [254TR](#) [5207](#) [1121](#) [246](#)  
[4027003022001-PK](#) [1012](#) [1020](#) [1024](#) [1024C](#) [1075](#) [1077](#) [1080](#) [1088](#) [1090](#) [1096](#) [1097](#) [1098](#) [1109](#) [1126](#) [1127](#) [1128](#) [1162](#) [1173](#) [147](#) [148](#)  
[150](#) [151](#) [152](#) [153](#) [154](#) [155](#) [171](#) [175](#) [176](#) [182](#)