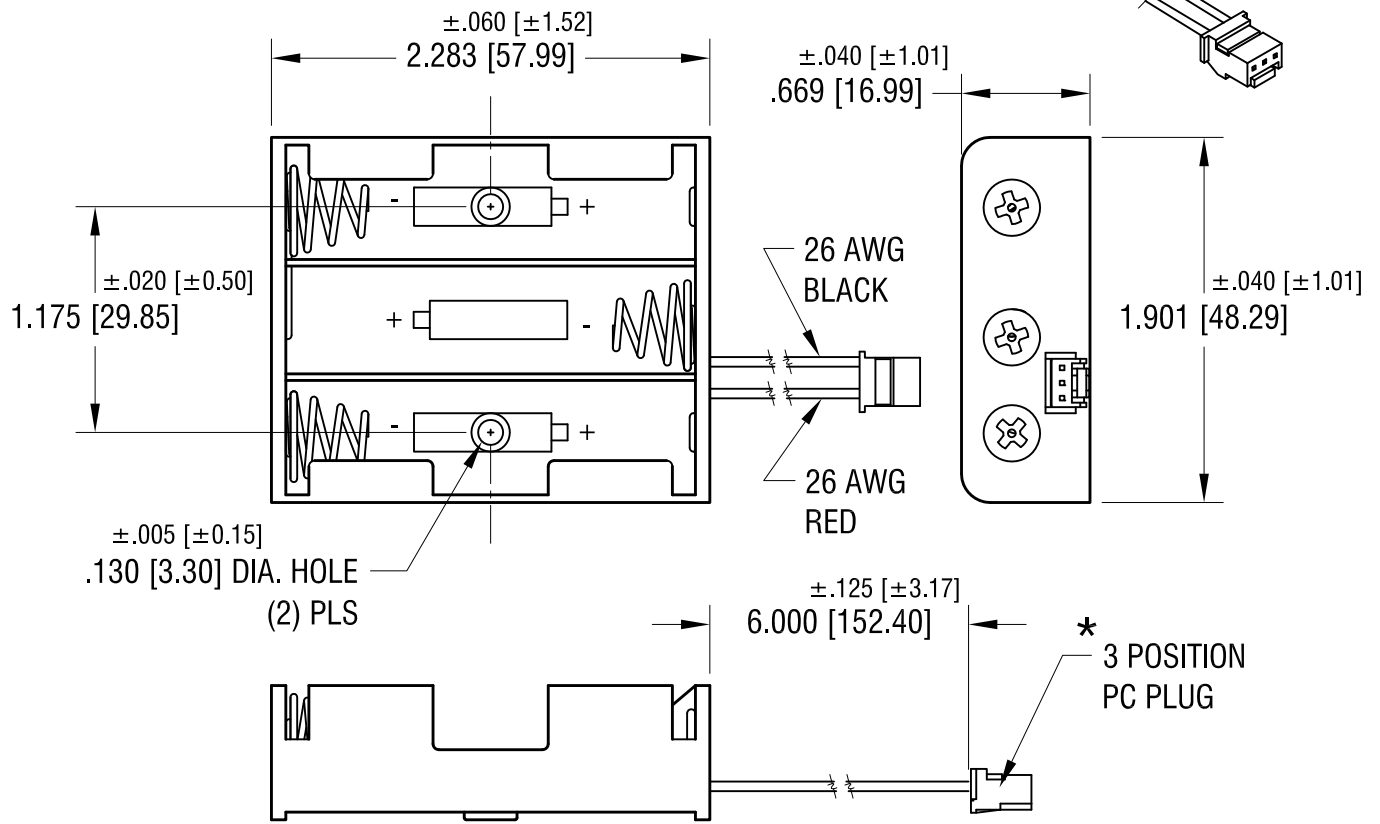
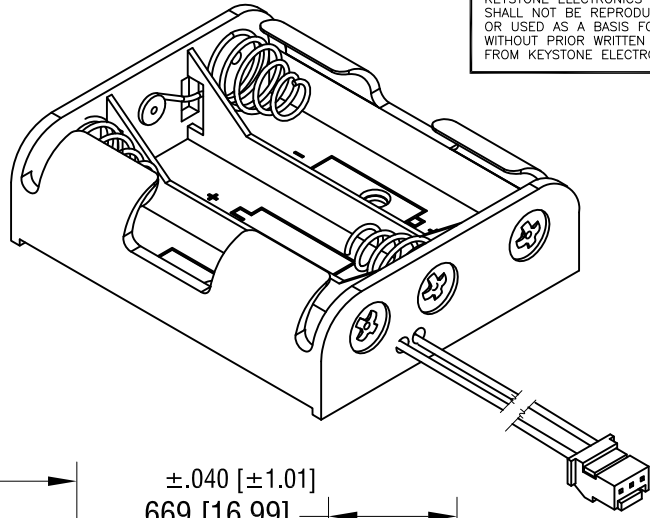
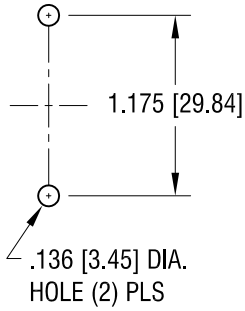


THIS DOCUMENT IS THE PROPERTY OF KEYSTONE ELECTRONICS CORP. AND SHALL NOT BE REPRODUCED, DISTRIBUTED OR USED AS A BASIS FOR MANUFACTURE WITHOUT PRIOR WRITTEN PERMISSION FROM KEYSTONE ELECTRONICS CORP.

MOUNTING DETAIL



NOTE:

1. HOLDER: MAT'L: POLYPROPYLENE
2. SPRING: MAT'L: MUSIC WIRE, .027 [0.70] DIA.
FINISH: NICKEL PLATE
3. CONNECTOR: MAT'L - PA 66, UL94V-0
COLOR- NATURAL
4. POSITIVE (RED) CONNECTED TO PIN 1
NEGATIVE (BLACK) CONNECTED TO PIN 3

*USE : P/N'S 974,975, 976 OR 977 FOR P.C. CONNECTOR

KEYSTONE ELECTRONICS CORP.			
www.keyelco.com • NEW HYDE PARK, NY 11040 • Tel (516) 328-7500			
PART NAME		BATTERY HOLDER (3) 'AA'	
MATERIAL			
AS NOTED			
FINISH		DRN BY	DATE
AS NOTED		NT	3.07.16
		APP'D	SCALE
			1X
TOLERANCES	INCH [MM]	CODE	DWG NO.
DECIMAL	± .015 [± 0.38]	C	2465CN
ANGULAR	± 1°		
UNLESS OTHERWISE SPECIFIED			

DATE	DESCRIPTION	REV.

X-ON Electronics

Largest Supplier of Electrical and Electronic Components

Click to view similar products for [Cylindrical Battery Contacts, Clips, Holders & Springs](#) category:

Click to view products by [Keystone](#) manufacturer:

Other Similar products are found below :

[753-00001](#) [12BH36A-GR](#) [200](#) [183](#) [270](#) [QX3506](#) [5220](#) [5230](#) [1055](#) [1088](#) [5250](#) [166](#) [591](#) [1044](#) [KT0008](#) [1119](#) [254TR](#) [5207](#) [1121](#) [246](#)
[4027003022001-PK](#) [1012](#) [1020](#) [1024](#) [1024C](#) [1075](#) [1077](#) [1080](#) [1088](#) [1090](#) [1096](#) [1097](#) [1098](#) [1109](#) [1126](#) [1127](#) [1128](#) [1162](#) [1173](#) [147](#) [148](#)
[150](#) [151](#) [152](#) [153](#) [154](#) [155](#) [169](#) [171](#) [175](#)