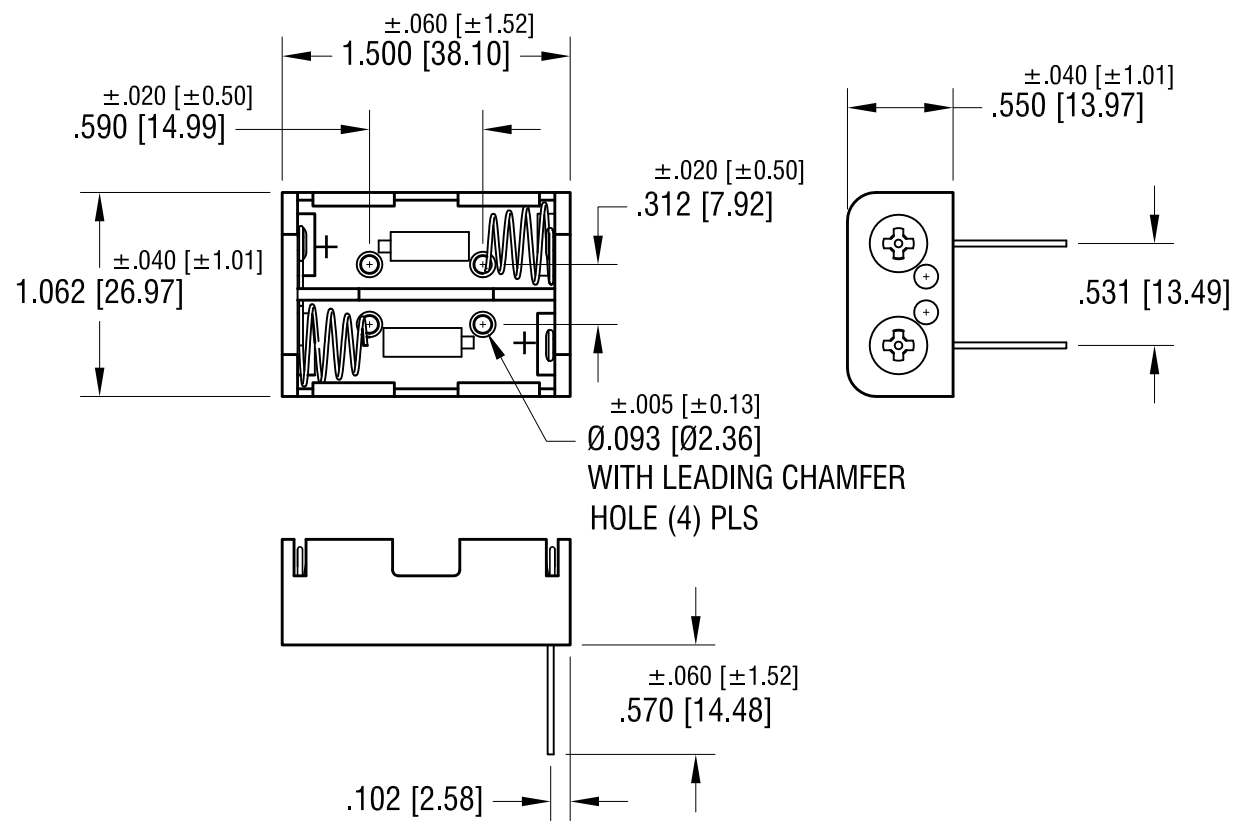
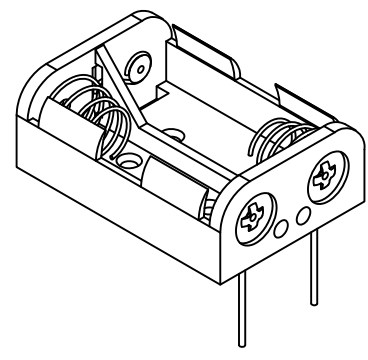
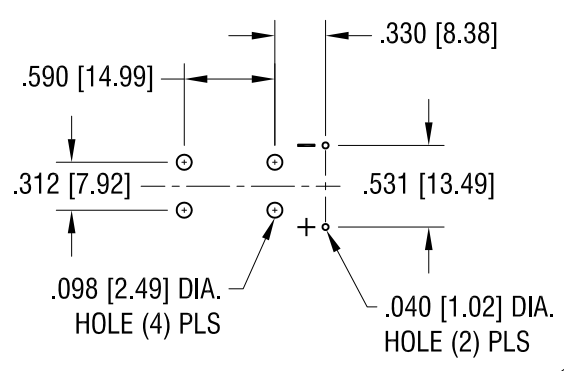


THIS DOCUMENT IS THE PROPERTY OF KEYSTONE ELECTRONICS CORP. AND SHALL NOT BE REPRODUCED, DISTRIBUTED OR USED AS A BASIS FOR MANUFACTURE WITHOUT PRIOR WRITTEN PERMISSION FROM KEYSTONE ELECTRONICS CORP.

**MOUNTING DETAIL**



**NOTE:**

1. HOLDER: MAT'L: POLYPROPYLENE
2. SPRING: MAT'L: MUSIC WIRE, .020 [0.50] DIA.
3. PC TERMINALS: MAT'L: BRASS, .032 [0.81] DIA.

|         |                          |      |
|---------|--------------------------|------|
| 6.12.09 | CHANGE AS PER ECN 09-067 | C    |
| 4.3.03  | CHANGE AS PER ECN 03-027 | B    |
| 11.8.99 | CHANGE AS PER ECN 99-080 | A    |
| DATE    | DESCRIPTION              | REV. |

|  |                 |                           |             |
|--|-----------------|---------------------------|-------------|
| <b>KEYSTONE ELECTRONICS CORP.</b>                              |                 |                           |             |
| www.keyelco.com • NEW HYDE PARK, NY 11040 • Tel (516) 328-7500 |                 |                           |             |
| PART NAME  |                 | PC BATTERY HOLDER (2) 'N' |             |
| MATERIAL   |                 | AS NOTED                  |             |
| FINISH   |                 | DRN BY                    | DATE        |
| NICKEL PLATE   |                 | BOONE                     | 10.11.95    |
|  |                 | APP'D                     | SCALE       |
|  |                 |                           | 1X          |
| TOLERANCES   | INCH [MM]       | CODE                      | DWG NO.     |
| DECIMAL  | ± .015 [± 0.38] | C                         | <b>2472</b> |
| ANGULAR  | ± 1°            |                           |             |
| UNLESS OTHERWISE SPECIFIED                                     |                 |                           |             |

## X-ON Electronics

Largest Supplier of Electrical and Electronic Components

*Click to view similar products for [Battery Contacts](#) category:*

*Click to view products by [Keystone](#) manufacturer:*

Other Similar products are found below :

[3.5MM-UNIVERSAL-CONTACT](#) [120220-0311](#) [101267-209](#) [009155003001013](#) [72](#) [1189](#) [120](#) [120220-0202](#) [120220-0206](#) [1241](#) [120220-0204](#) [120220-0210](#) [117](#) [111](#) [497](#) [5203](#) [5219](#) [5225](#) [550](#) [553](#) [555](#) [556](#) [202-02970-00518](#) [009155002100006](#) [009155002101006](#)  
[009155002201006](#) [009155002301006](#) [009155002401006](#) [009155002402006](#) [009155002541006](#) [009155002852006](#) [009155003001016](#)  
[009155003002016](#) [009155003003016](#) [009155003101006](#) [009155003201006](#) [009155003301006](#) [009155003401006](#) [009155003402006](#)  
[009155003541006](#) [009155003852006](#) [009155004002016](#) [009155004003016](#) [009155004201006](#) [009155004301006](#) [009155004401006](#)  
[009155004402006](#) [009155004852006](#) [009155005001016](#) [009155005002016](#)