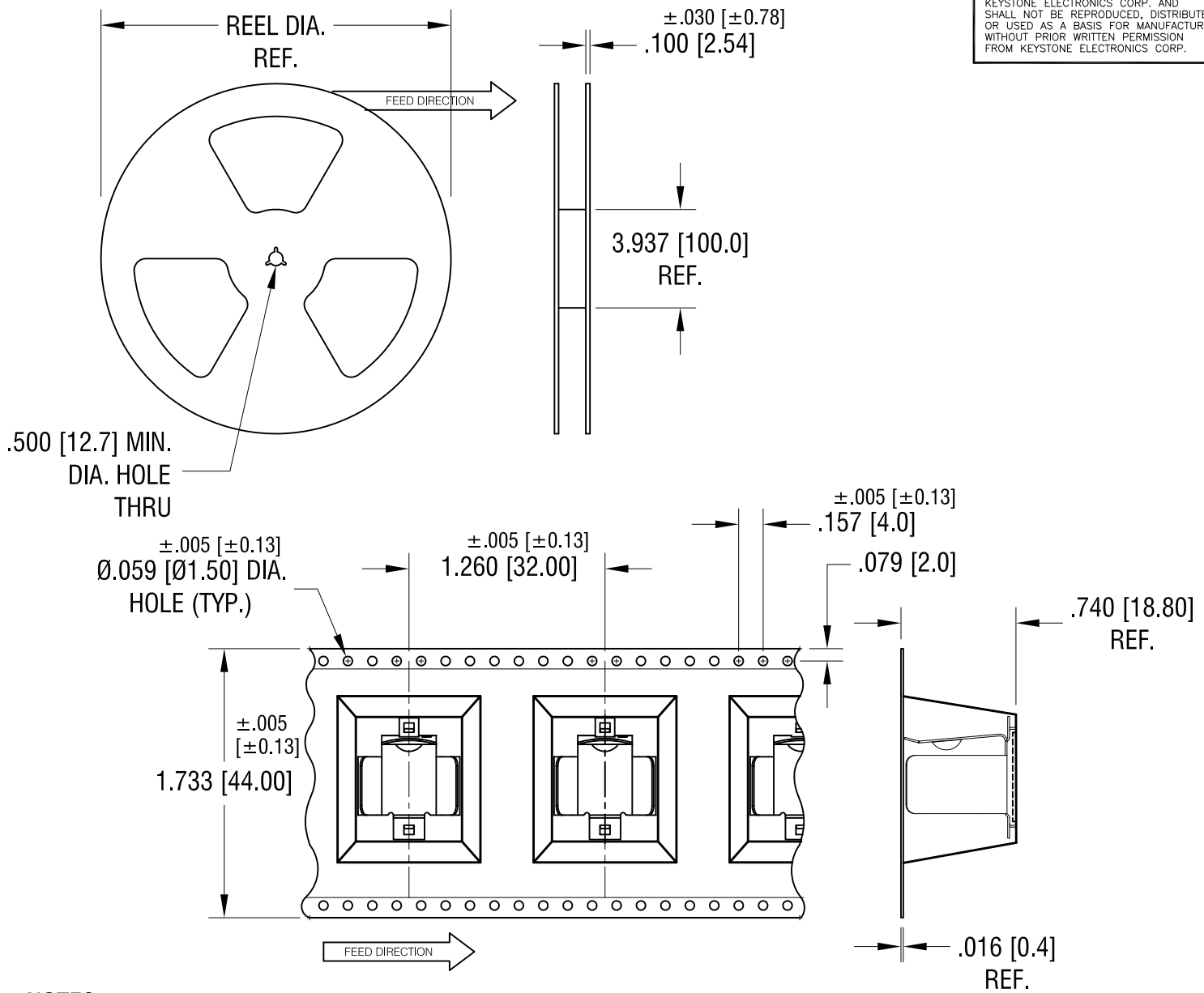


THIS DOCUMENT IS THE PROPERTY OF KEYSTONE ELECTRONICS CORP. AND SHALL NOT BE REPRODUCED, DISTRIBUTED OR USED AS A BASIS FOR MANUFACTURE WITHOUT PRIOR WRITTEN PERMISSION FROM KEYSTONE ELECTRONICS CORP.



**NOTES:**

**TAPE AND REEL SPECIFICATIONS:**

**1. TAPE:**

MAT'L - ALL CONDUCTIVE POLYSTYRENE CARRIER  
ANSI/EIA-481 STANDARD

**2. REEL:**

15.0 [380.8] DIA. 75 PIECES  
OF PART NO. 254 PER REEL.

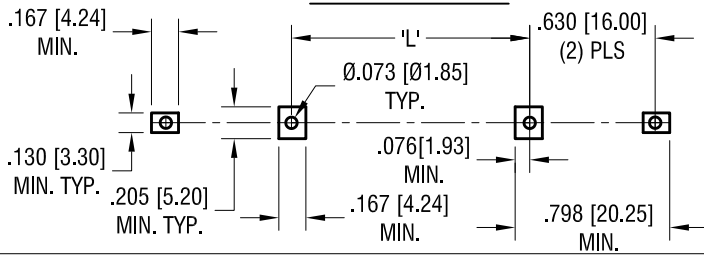
9.20.18 ROTATE POCKET ON 180°  
CHANGE AS PER ECN 18-036

A  
REV.

<b>KEYSTONE ELECTRONICS CORP.</b>			
www.keyelco.com • NEW HYDE PARK, NY 11040 • Tel (516) 328-7500			
PART NAME			
BATTERY HOLDER ON TAPE AND REEL			
MATERIAL			
AS NOTED			
FINISH		DRN BY	DATE
AS NOTED		NT	3.01.18
		APP'D	SCALE
			X
TOLERANCES	INCH [MM]	CODE	DWG NO.
DECIMAL	± .015 [± 0.38]	C	<b>254TR</b>
ANGULAR	± 1°		
UNLESS OTHERWISE SPECIFIED			

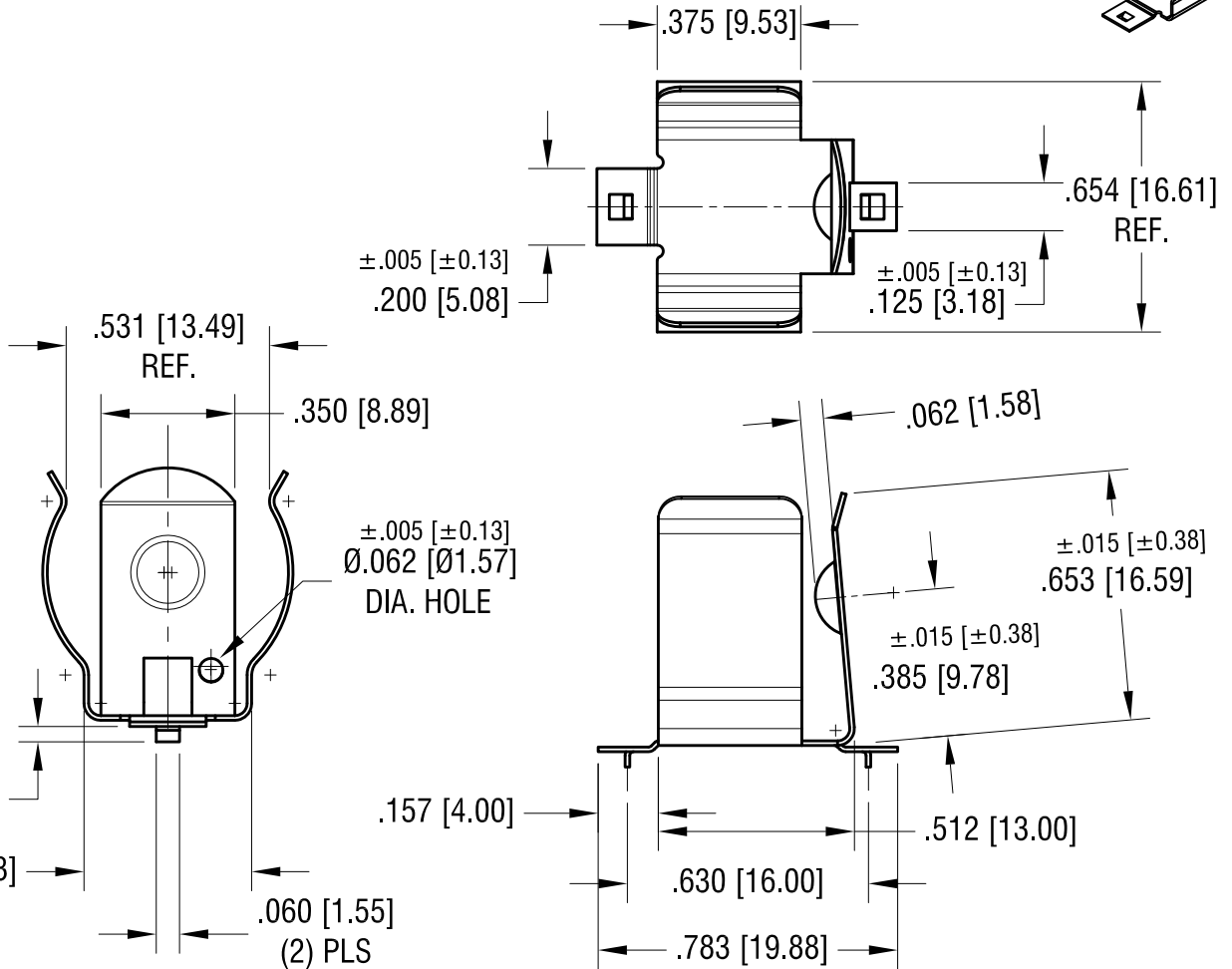
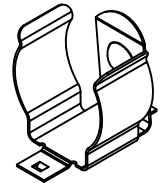
THIS DOCUMENT IS THE PROPERTY OF KEYSTONE ELECTRONICS CORP. AND SHALL NOT BE REPRODUCED, DISTRIBUTED OR USED AS A BASIS FOR MANUFACTURE WITHOUT PRIOR WRITTEN PERMISSION FROM KEYSTONE ELECTRONICS CORP.

**MOUNTING LAYOUT**



BATTERY	'L'
CR123A	.270 [6.85]
18350	.324 [8.23]
18650	1.584 [40.23]

**ACTUAL SIZE**



**NOTE:**

1. HEAT TREAT TO SPRING TEMPER

PCB PROTECTION CIRCUITS ARE REQUIRED WHEN USED WITH LITHIUM-ION BATTERIES

**KEYSTONE ELECTRONICS CORP.**

www.keyelco.com • NEW HYDE PARK, NY 11040 • Tel (516) 328-7500

PART NAME		16mm - 19mm SM BATTERY CLIP	
MATERIAL			
.012 [0.30] TH'K ANNEALED SPRING STEEL			
FINISH	DRN BY	DATE	
TIN NICKEL PLATE	NT	1.17.18	
	APP'D	SCALE	
		2X	
TOLERANCES	INCH	[MM]	CODE
DECIMAL	± .010	[± 0.25]	C
ANGULAR	± 2°		
UNLESS OTHERWISE SPECIFIED			DWG NO.
			<b>254</b>

DATE	DESCRIPTION	REV.

## X-ON Electronics

Largest Supplier of Electrical and Electronic Components

*Click to view similar products for [Cylindrical Battery Contacts, Clips, Holders & Springs](#) category:*

*Click to view products by [Keystone](#) manufacturer:*

Other Similar products are found below :

[753-00001](#) [12BH36A-GR](#) [200](#) [183](#) [270](#) [QX3506](#) [5220](#) [5230](#) [1055](#) [1088](#) [5250](#) [166](#) [591](#) [1044](#) [KT0008](#) [1119](#) [254TR](#) [5207](#) [1121](#) [246](#)  
[4027003022001-PK](#) [1012](#) [1020](#) [1024](#) [1024C](#) [1075](#) [1077](#) [1080](#) [1088](#) [1090](#) [1096](#) [1097](#) [1098](#) [1109](#) [1126](#) [1127](#) [1128](#) [1162](#) [1173](#) [147](#) [148](#)  
[150](#) [151](#) [152](#) [153](#) [154](#) [155](#) [169](#) [171](#) [175](#)